

Ball-Bearing Motor

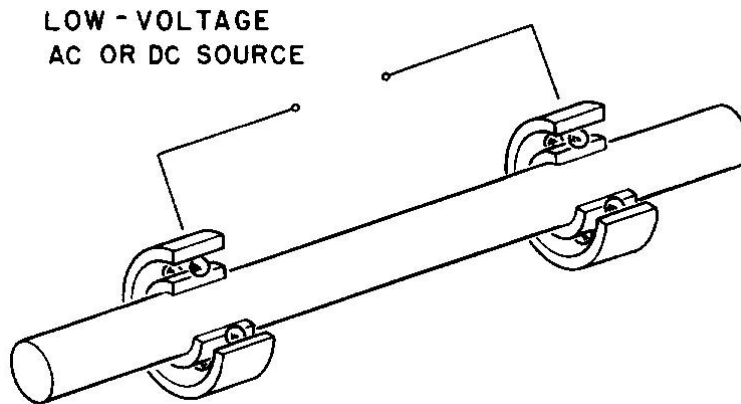
Kirk T. McDonald

Joseph Henry Laboratories, Princeton University, Princeton, NJ 08544

(May 17, 2011; updated June 1, 2020)

1 Problem

Discuss the principle of operation of a so-called ball-bearing motor, a popular form of which is sketched below (from [2]).¹



The motor can start from rest (although not all observers report this [1]-[24]), and rotates in either sense, if the current (AC or DC!) is large enough.

2 Solution

The discovery/invention of the ball-bearing motor is attributed to Milroy [1]. It has been discussed several times, with conflicting explanations [2]-[24].^{2,3} This solution is a much simplified version of that given in [10], and is based on the Lorentz force.

¹Numerous videos of variants of this device are available on YouTube.

²Most authors except Marinov [7] suppose the torque to be due to a Lorentz force, whereas he stated (without supporting argument) that the torque results from thermal expansion of the bearings.

It is generally agreed that the first attempt at an electromagnetic explanation, [2], was wrong. Also, the explanation in [11] was later retracted by its author.

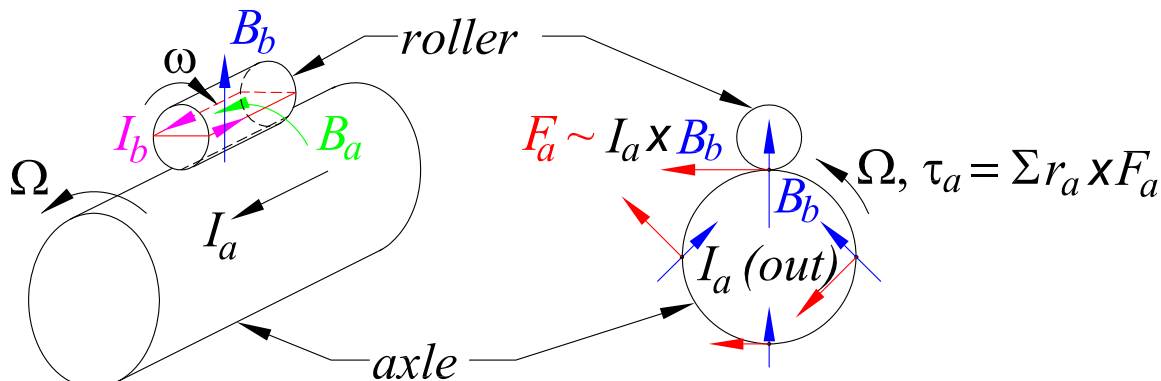
³Refs. [6, 19, 22, 23] associate ball-bearing motors with the “Huber effect”, after [25]. See also Appendix A below, and [26]-[29]; the last paper reviews the Russian literature on this topic.

Huber considered a kind of railgun in which the crosspiece, a sphere or cylinder, rolled along tracks, supposedly propelled by the Lorentz force on the current in the crosspiece. However, [26] reported sparking between the wheels and the rails on the trailing side of the motion, which could imply that thermal effects, rather than the Lorentz force, are important here.

The “Huber effect” was described already in 1858 by Gore [30]-[32]. He reported [30] that after the electric current started, the roller first vibrated, and eventually rolled either toward or away from the current source. Sparking on the trailing side of the roller was reported in [31]. See also p. 195 of [33]. For some general comments about railguns, see [34].

Because the motor is weak, it is helpful to reduce friction on the axle by connecting the high-current lead to the outer races of the ball bearings, as shown above. However, I believe that this is not required in principle.

It is simpler to analyze the interaction of a rotating, current-carrying axle⁴ with a single roller bearing, both of whose axes are fixed,⁵ as shown below.



The axle has angular velocity Ω , and the angular velocity $\omega = -(a/b)\Omega$ of the roller has the opposite sign, where a and b are the radii of the axle and bearing, respectively. The axial current \mathbf{I}_a in the axle generates azimuthal magnetic field on the roller, $\mathbf{B}_a \approx 2I_a/c a$ in Gaussian units. The Lorentz force $\mathbf{F} = e\mathbf{v}_b/c \times \mathbf{B}_a = e(\boldsymbol{\omega} \times \mathbf{r}_b)/c \times \mathbf{B}_a = e\mathbf{E}_{\text{eff}}$ on the conduction electrons of charge e in the roller leads to a current $\mathbf{I}_b \propto \sigma_b E_{\text{eff}} \approx 2\sigma_b \omega b I_a/c^2 a$ that circulates around the roller.⁶ This current \mathbf{I}_b (associated with magnetic moment $\mu_b = \pi I_b b^2/c$) generates a (dipole) magnetic field $\mathbf{B}_b \approx [3(\boldsymbol{\mu}_b \cdot \hat{\mathbf{r}})\hat{\mathbf{r}} - \boldsymbol{\mu}_b]/r^3$ that is generally perpendicular to the axle inside the latter. The consequent magnetic forces $\mathbf{F}_a \propto \mathbf{I}_a/c \times \mathbf{B}_b$ on current filaments in the axle vary over the axle,⁷ but the strongest force is near the line of contact of the axle and roller, $F_{a,\text{max}} \approx I_a \mu_b/c b^3 \approx \pi I_a I_b/c^2 b \approx 2\pi \sigma_b \omega I_a^2/c^4 a$, where the force exerts a torque on the axle, $\tau_a \approx a F_{a,\text{max}} \approx 2\pi \sigma_b \omega I_a^2/c^4 = -2\pi a \sigma_b \Omega I_a^2/c^4 b$, that has the same sense as the angular velocity Ω , thereby increasing (or at least maintaining against friction) the angular velocity of the axle.^{8,9}

The magnitude of the torque scales as $a \sigma_b \Omega I_a^2/c^4 b \propto I_a^2$ (in Gaussian units), where c is the speed of light. This behavior was observed in the experiments of [23].¹⁰ Since the

⁴The axle could be either a hollow or a solid conductor.

⁵In practice, the roller (or ball) bearings are encased in a “race” that can rotate with respect to both the axle and the outer sleeve. Then, the axes of the roller bearings move azimuthally, which complicates the motion, but which does not change the essence of the analysis given below.

⁶When there is no rolling, there is no current I_b , and no Lorentz force $\mathbf{I}_a/c \times \mathbf{B}_b$ on the axle. Hence, the motor cannot start from rest due to Lorentz-force effects (unlike a railgun).

⁷The current filaments have helical form due to the rotation of the axle, but their azimuthal component does not lead to an azimuthal torque.

⁸Another argument notes that parallel currents attract, such that a current filament along the top of the axle is attracted to the left current around the bearing, and repelled from the right current. The net force on the current filament in the axle is to the left, and the reaction force on the bearing is to the right.

⁹June 1, 2020. Derek Abbott notes that the Lorentz force due to \mathbf{B}_b on conduction electrons near the top of the roller opposes the electric force that drives current I_a , and so slightly reduces that current compared to the case of no rotation. This is somewhat counterintuitive, but does not violate conservation of energy.

¹⁰The view that the ball-bearing motor is driven by thermal effects also predicts that the torque would scale as $I_a^2 R_a$, where R_a is the resistance of the axle.

conductivity σ_b is of order c in Gaussian units, the torque scales as I_a^2/c^3 . This confirms that a ball-bearing motor is a very weak device.

An alternative configuration is for the axle to be held fixed while the bearings rotate about it. If the bearing race were fixed to the outer sleeve of the bearing, then a torque (clockwise in the above figure) on the bearings could be transmitted to the latter, providing another type of motor. This configuration would result in friction between the bearings and the bearing race, which might limit the utility of the motor.

In yet another variant (thanks to Alexis Bacot), the axle is fixed and nonconducting, and the current enters and leaves the system through lead wires attached to the inner races of the bearings; the outer races of the two bearings are attached to a conducting cylinder that rotates along with them. The currents in the lead wires generate the magnetic field \mathbf{B}_a , which has sufficient radial field component on the bearings that the above analysis still applies.

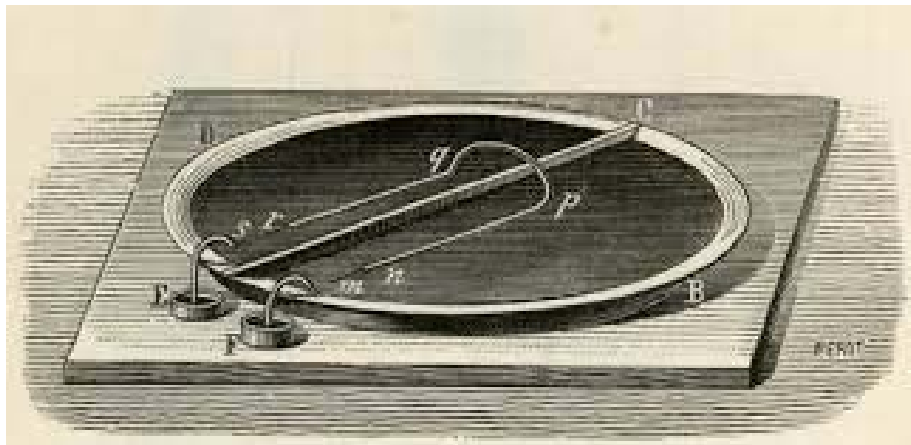
March, 2016. Experiments by the author with a ball-bearing motor (thanks to Omelan Stryzk), and with the configuration of Gore/Huber, strongly suggest that thermal effects are responsible for the startup of the rolling motion of these systems, which was observed to be in both possible directions in different trials. Furthermore, no motion was observed in the Gore/Huber configuration when the rods were made of Invar (with “zero” thermal expansion).

It remains that once the a ball-bearing motor is started, Lorentz-force effects can contribute to its steady state. The ball-bearing motor is another example of a system that in which magnetic forces/torques do work [36].¹¹

A Appendix: The Gore/Huber Effect

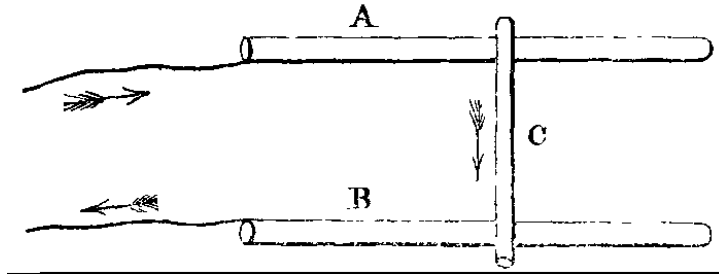
This Appendix written May 20, 2020.

Gore [30]-[32] (1858), and Huber [25, 27] (1959), considered variants of the experiment of Ampère and de la Rive [38] (1822), sketched below, in which the crosspiece pq was replaced by a roller, and the conductors qr and np were fixed rails (rather than part of the “hairpin” $npqr$ floating on mercury).

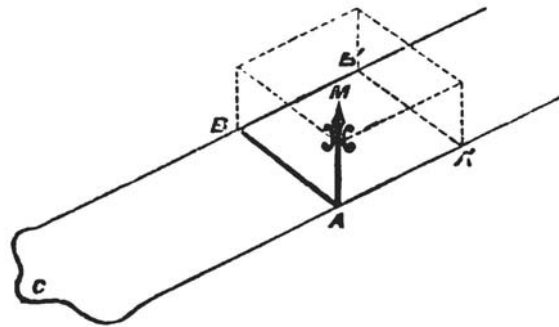


¹¹For another recent, amusing example of a system in which magnetic forces do work, see [37].

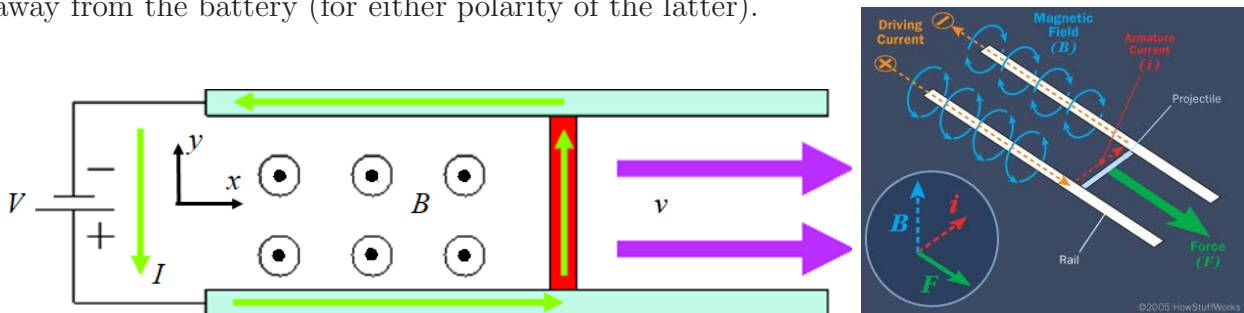
One of Gore's configurations, from [30], is sketched below.



This configuration, but with a sliding crosspiece (now called a railgun [34]) rather than a roller, was discussed by Maxwell in Arts. 594-596 of [39], as sketched in the figure below.¹²



A Lorentz-force explanation of the railgun experiment (and of Ampère's) is that when a battery is connected to the "rails", a magnetic field is generated with a component in the z -direction (out of the page in the left figure below) when the current in the crosspiece is in the $+y$ direction, such that the $\mathbf{I} \times \mathbf{B}$ force on the moving crosspiece is in the $+x$ direction, away from the battery (for either polarity of the latter).



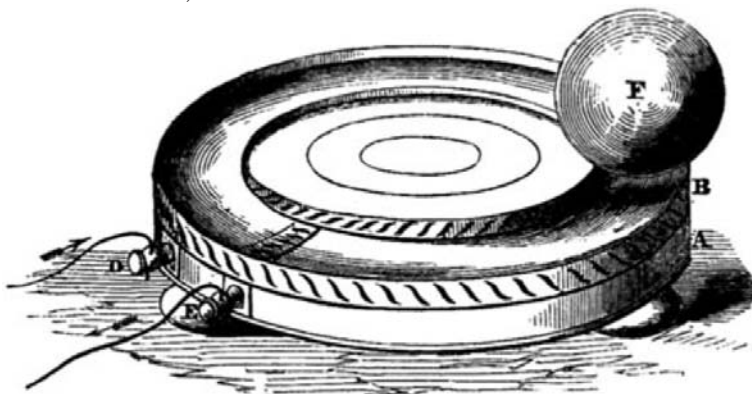
In these experiments with sliding contacts, the current density (for a given total current) at the sliding contact is not as large as that in experiments with a rolling contact, and the Lorentz-force explanation is largely satisfactory.¹³

In contrast, in the experiment of Gore [30] sketched above, with roller C as the crosspiece, the roller can move in either direction, after some initial vibration. In addition, sparking is observed at the points of contact between the roller and the rails, where the current density is maximal.

¹²In Arts.594-596 consider this example as a dynamo, if the crosspiece is slid by a mechanical force while a magnetic flux $\Phi(t)$ is linked by the circuit, then the induced \mathcal{EMF} is $-d\Phi/dt$, eq. (14), Art. 595. In Art. 603, eq. (11), Maxwell discussed the $\mathbf{I} \times \mathbf{B}$ force, but did not apply this to the railgun.

¹³The Lorentz force in railgun experiments can start the motion from rest, unlike the Lorentz forces and torques in the ball-bearing motor.

Furthermore, when Gore studied the motion of a sphere on circular tracks, as sketched below, the sphere would roll steadily in complete circles, in either direction, after the vibratory startup. Whereas, the Lorentz-force on the sphere is away from the connection of the battery to the rails, and goes to zero at the diametrically opposite point, such that the motion of the sphere would not be steady, and would not complete a full circle (if only the Lorentz force drove the motion).

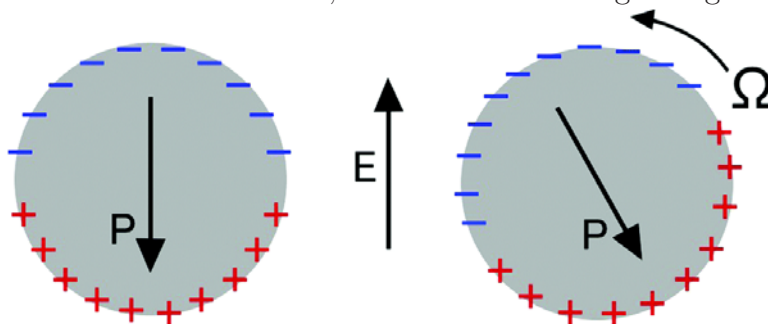


It seems clear that in the experiments of Gore (and also in those of Huber), the effect was primarily thermal (as inferred by Gore, but not by Huber).

B Appendix: The Quincke Effect

This Appendix written May 27, 2020.

Another surprising motor is that based on the Quincke effect [40]-[57],¹⁴ in which a dielectric, but slightly conducting, sphere placed in a dielectric, but slightly conducting, liquid in a uniform, external electric field, as sketched below (from [56]), will rotate about an axis perpendicular to the electric field, if the latter is strong enough.¹⁵



The external electric field \mathbf{E} polarizes the dielectric sphere, with nominal polarization \mathbf{P} opposite to the electric field. However, under certain conditions, there occurs a (nominally classical) spontaneous symmetry breaking such that the polarization vector \mathbf{P} takes on an angle with respect to the electric field, as in the right figure above. The resulting torque, $\mathbf{P} \times \mathbf{E}$ rotates the sphere, while the polarization vector \mathbf{P} maintains a constant direction relative to \mathbf{E} .

¹⁴The early papers on the Quincke effect all credit Hertz' dissertation (1880) [58] for inspiration.

¹⁵The related phenomenon of ionic currents in a liquid surrounding a fixed sphere in a rotating electric field has been studied since 1892 [59], and is sometimes called the Born-Lertes effect [60].

References

- [1] R.A. Milroy, *Hydrodynamic Gyroscope*, J. Appl. Mech. **34**, 525 (1967),
http://physics.princeton.edu/~mcdonald/examples/EM/milroy_jam_34_525_67.pdf
Milroy's article is a comment on J.W. Then, *Hydrodynamic Gyroscope*, J. Appl. Mech. **33**, 768 (1966), http://physics.princeton.edu/~mcdonald/examples/EM/then_jap_33_768_66.pdf
- [2] H. Gruenberg, *The ball bearing as a motor*, Am. J. Phys. **46**, 1213 (1978),
http://physics.princeton.edu/~mcdonald/examples/EM/gruenberg_ajp_46_1213_78.pdf
- [3] A.A. Mills, *The Ball-Bearing Electric Motor*, Phys. Ed. **15**, 102 (1980),
http://physics.princeton.edu/~mcdonald/examples/EM/mills_pe_15_102_80.pdf
- [4] M.P.H. Weenink, *The electromagnetic torque on axially symmetric rotating metal cylinders and spheres*, Appl. Sci. Res. **37**, 171 (1981),
http://physics.princeton.edu/~mcdonald/examples/EM/weenink_asr_37_171_81.pdf
- [5] M.J.C.M. van Doorn, *The electrostatic torque on a rotating conducting sphere*, Appl. Sci. Res. **40**, 327 (1983),
http://physics.princeton.edu/~mcdonald/examples/EM/vandoorn_asr_40_327_83.pdf
- [6] S. Marinov, *Der Kugellager-Motor und der Huber-Effekt*, Raum und Zeit **32**, 81 (1988),
http://physics.princeton.edu/~mcdonald/examples/EM/marinov_rz_32_81_88.pdf
- [7] S. Marinov, *The intriguing ball-bearing motor*, Elec. Wireless World, 356 (1989),
http://physics.princeton.edu/~mcdonald/examples/EM/marinov_eew_356_89.pdf
- [8] F. Donachie, *Ball-bearing motor*, Elec. Wireless World, 621 (1989),
http://physics.princeton.edu/~mcdonald/examples/EM/donachie_eww_621_89.pdf
- [9] P.G. Moyssides and P. Hatzikonstantinou, *Study of Electrical Characteristics of the Ball Bearing Motor*, IEEE Trans. Mag. **26**, 1274 (1990),
http://physics.princeton.edu/~mcdonald/examples/EM/moyssides_ieeetm_26_1274_90.pdf
- [10] P. Hatzikonstantinou and P.G. Moyssides, *Explanation of the ball bearing motor and exact solutions of the related Maxwell equations*, J. Phys. A **23**, 3183 (1990),
http://physics.princeton.edu/~mcdonald/examples/EM/hatzikonstantinou_jpa_23_3183_90.pdf
- [11] D.B. Watson, *An Explanation of the Ball-Bearing Motor*, Int. J. Elec. Eng. Edu. **28**, 186 (1991), http://physics.princeton.edu/~mcdonald/examples/EM/watson_ijeetm_28_186_91.pdf
- [12] C.S. Jha *et al.*, *Investigating the Phenomenon in Ball Bearing Motor*, ELROMA99, **2**, VI-A-92 (1992), http://physics.princeton.edu/~mcdonald/examples/EM/jha_elroma92_2_vi-a-38.pdf
- [13] P.G. Moyssides, *Electrical Characteristics of Two Discs Operating as a Motor*, IEEE Trans. Mag. **28**, 1870 (1992),
http://physics.princeton.edu/~mcdonald/examples/EM/moyssides_ieeetm_28_1870_92.pdf

- [14] D.B. Watson, M.R. Williams and C.S. Crimp, *Ball-bearing motors*, IEE Proc. A Sci. Meas. Technol. **140**, 281 (1993),
http://physics.princeton.edu/~mcdonald/examples/EM/watson_ieep_a140_281_93.pdf
- [15] D.B. Watson and A.M. Watson, *Linear ball-bearing motor*, IEE Proc. Sci. Meas. Technol. **141**, 224 (1994), http://physics.princeton.edu/~mcdonald/examples/EM/watson_ieep_141_224_94.pdf
- [16] D.B. Watson and A.M. Watson, *Non-ferromagnetic linear ball-bearing motors*, J. Phys. D **29**, 529 (1996), http://physics.princeton.edu/~mcdonald/examples/EM/watson_jpd_29_529_96.pdf
- [17] D.B. Watson, *The force on an electrically conducting cylinder rolling on parallel rails*, J. Phys. D **30**, 2176 (1997),
http://physics.princeton.edu/~mcdonald/examples/EM/watson_jpd_30_2176_97.pdf
- [18] P.G. Moyssides and P. Hatzikonstantinou, *Ball Bearing Motors*, IEEE Trans. Mag. **33**, 4566 (1997), http://physics.princeton.edu/~mcdonald/examples/EM/moyssides_ieetm_33_4566_97.pdf
- [19] Y. Shen *et al.*, *Investigation of the Huber effect and its application to micromotors*, Proc. SPIE **3891**, 178 (1999),
http://physics.princeton.edu/~mcdonald/examples/EM/shen_pspie_3891_178_99.pdf
- [20] D.B. Watson and W.R. Watson, *Ball Bearing and Rolling Cylinder Motors*, IEEE Trans. Mag. **35**, 562 (1999), http://physics.princeton.edu/~mcdonald/examples/EM/watson_ieetm_35_562_99.pdf
- [21] D.B. Watson, S.M. Patel and N.F. Sedcole, *Ball-bearing motor effect with rolling cylinders*, IEE Proc. Sci. Meas. Technol. **146**, 83 (1999),
http://physics.princeton.edu/~mcdonald/examples/EM/watson_ieepsmt_146_83_99.pdf
- [22] A.P. Lauterbach, W.L. Soong and D. Abbott, *Investigation of small motors operating under the Huber effect*, Proc. SPIE **4236**, 306 (2001),
http://physics.princeton.edu/~mcdonald/examples/EM/lauterbach_pspie_4236_306_01.pdf
- [23] J.L. Choo, W.L. Soong and D. Abbott, *Toward Characterization of Huber's Ball-Bearing Motor*, Proc. SPIE **5649**, 700 (2005),
http://physics.princeton.edu/~mcdonald/examples/EM/choo_pspie_5649_700_05.pdf
- [24] Y. Sakurai, *On the generation of the torque in a ball bearing motor*, Mem. Shonan Inst. Tech. **44**, 27 (2009), http://physics.princeton.edu/~mcdonald/examples/EM/sakurai_msit_44_27_09.pdf
- [25] J. Huber, *Electrodynamische Kraftwirkungen an einem auf Eisenbahnschienen beweglichen Radsatz*, Elek. Masch. **76**, 169 (1959),
http://physics.princeton.edu/~mcdonald/examples/EM/huber_em_76_169_59.pdf
- [26] K.M. Polivanov, A.V. Netushil and N.V. Tatarinova, *Huber's Electromechanical Effect*, Elek. **8**, 72 (1973),
http://physics.princeton.edu/~mcdonald/examples/EM/polivanov_elektrichestov_8_72_73.pdf
- [27] J. Huber, *Das raumgebundene Magnetfeld*, Raum Zeit **28**, 48 (1987),
http://physics.princeton.edu/~mcdonald/examples/EM/huber_rz_28_48_87.pdf

- [28] V. Netushil, *The electromechanical effect of Huber and its development*, Electrical Technology, No. 3, 57 (1992), http://physics.princeton.edu/~mcdonald/examples/EM/netushil_et_3_57_92.pdf
- [29] A.M. Silvestrov and D.K. Zimenkov, *Analysis of Theoretical and Experimental Studies of the Huber Effect*, Ukr. J. Phys. **62**, 1001 (2017), http://physics.princeton.edu/~mcdonald/examples/EM/silvestrov_ujp_62_1001_17.pdf
- [30] G. Gore, *Rotation of Metallic Tubes and Spheres by Electricity*, Phil. Mag. **15**, 519 (1858), http://physics.princeton.edu/~mcdonald/examples/EM/gore_pm_15_519_58.pdf
- [31] G. Gore, *On the Rotation of Metallic Spheres by Electricity*, Phil. Mag. **17**, 107 (1859), http://physics.princeton.edu/~mcdonald/examples/EM/gore_pm_17_107_59.pdf
- [32] G. Gore, *On the Rotation of Hollow Spheres of Metal by Heat*, Phil. Mag. **18**, 94 (1859), http://physics.princeton.edu/~mcdonald/examples/EM/gore_pm_18_94_59.pdf
- [33] J. Harris, *The Theory of Light* (Lovell, Montreal, 1875), http://physics.princeton.edu/~mcdonald/examples/EM/harris_theory_light.pdf
- [34] K.T. McDonald, *Capacitor-Driven Railgun: Magnetic Fields Doing Work* (Dec. 15, 2015), <http://physics.princeton.edu/~mcdonald/examples/railgun>
- [35] K.T. McDonald, *A Magnetic Linear Accelerator* (Mar. 3, 2003), http://physics.princeton.edu/~mcdonald/examples/lin_accel
- [36] K.T. McDonald, *Magnetic Forces Can Do Work* (Apr. 10, 2011), <http://physics.princeton.edu/~mcdonald/examples/disk.pdf>
- [37] S. Irons, *The dipolar express: An electromagnetically driven train*, Phys. Teach. **53**, 186 (2015), http://physics.princeton.edu/~mcdonald/examples/EM/irons_pt_53_186_15.pdf
- [38] M. de La Rive fils, *Sur l'Action qu'exerce le globe terrestre sur une portion mobile du circuit voltaïque*, Ann. Chemie Phys. **21**, 24 (1822), physics.princeton.edu/~mcdonald/examples/EM/ampere_delarive_acp_21_24_22.pdf
- [39] J.C. Maxwell, *A Treatise on Electricity and Magnetism*, Vol. 2 (Clarendon Press, 1873), physics.princeton.edu/~mcdonald/examples/EM/maxwell_treatise_v2_73.pdf
Vol. 2, 3rd ed. (Clarendon Press, 1892), physics.princeton.edu/~mcdonald/examples/EM/maxwell_treatise_v2_92.pdf
- [40] G. Quincke, *Ueber Rotationen im constanten electrischen Felde*, Ann. d. Phys. **59**, 417 (1896), http://physics.princeton.edu/~mcdonald/examples/EM/quincke_ap_59_417_96.pdf
- [41] L. Boltzmann, *Ueber Rotationen im constanten electrischen Felde*, Ann. d. Phys. **60**, 399 (1897), http://physics.princeton.edu/~mcdonald/examples/EM/boltzmann_ap_60_399_97.pdf
- [42] E.R. von Schweidler, *Über Rotationen im homogene elektrostatischen Felde*, Sitz. Kais. Akad. Wiss. Wien **106**, 526 (1897), http://physics.princeton.edu/~mcdonald/examples/EM/schweidler_skaww_106_526_97.pdf

- [43] A. Heydweiller, *Ueber bewegte Körper im elektrischen Felde und über dee elektrische Leitfähigkeit der atmosphärischen Luft*, Ann. d. Phys. **69**, 531 (1899),
http://physics.princeton.edu/~mcdonald/examples/EM/heydweiller_ap_69_531_99.pdf
- [44] L. Graetz, *Über die Quincke'schen Rotationen im elektrostatischen Felde*, Ann. d. Phys. **1**, 530 (1900), http://physics.princeton.edu/~mcdonald/examples/EM/graetz_ap_1_530_00.pdf
- [45] A. Lampa, *Über Rotationen im elektrostatischen Drehfelde*, Sitz. Kais. Akad. Wiss. Wien **115**, 1659 (1906),
http://physics.princeton.edu/~mcdonald/examples/EM/lampa_skaww_115_1659_06.pdf
- [46] M. Born, *Über die Beweglichkeit der elektrolytischen Ionen*, Z. Phys. **1**, 221 (1920),
http://physics.princeton.edu/~mcdonald/examples/EM/born_zp_1_221_20.pdf
- [47] P. Lertes, *Untersuchungen über Rotationen von dielektrischen Flüssigkeiten im elektrostatischen Drehfeld*, Z. Phys. **4**, 315 (1921),
http://physics.princeton.edu/~mcdonald/examples/EM/lertes_zp_4_315_21.pdf
- [48] S.W. Richardson, *Rotation of Dielectric Bodies in Electrostatic Fields*, Nature **119**, 238 (1927), http://physics.princeton.edu/~mcdonald/examples/EM/richardson_nature_119_238_27.pdf
- [49] L.G. Vedy, *On the Rotation of Dielectrics in Electrostatic Fields and Related Phenomena*, Proc. Camb. Phil. Soc. **27**, 91 (1931),
http://physics.princeton.edu/~mcdonald/examples/EM/vedy_pcps_27_91_31.pdf
- [50] W.F. Pickard, *On the Born-Lertes Rotational Effect*, Nuovo Cim. **21**, 316 (1961),
http://physics.princeton.edu/~mcdonald/examples/EM/pickard_nc_21_316_61.pdf
- [51] J.R. Melcher and G.I. Taylor, *Electrohydrodynamics: A Review of the Role of Interfacial Shear Stresses*, Ann. Rev. Fluid Mech. **1**, 111 (1969),
http://physics.princeton.edu/~mcdonald/examples/EM/melcher_arfm_1_111_69.pdf
- [52] J.R. Melcher, *Electric Fields and Moving Media*, IEEE Trans. Ed. **17**, 100 (1974),
http://physics.princeton.edu/~mcdonald/examples/EM/melcher_ieeete_17_100_74.pdf
- [53] T.B. Jones, *Quincke Rotation of Spheres*, IEEE Trans. Indust. Appl. **20**, 845 (1984),
http://physics.princeton.edu/~mcdonald/examples/EM/jones_ieeetia_20_845_84.pdf
- [54] I. Turcu, *Electric field induced rotation of spheres*, J. Phys. A **20**, 3301 (1987),
http://physics.princeton.edu/~mcdonald/examples/EM/turcu_jpa_20_3301_87.pdf
- [55] E. Lemaire and L. Lobry, *Chaotic behavior in electro-rotation*, Physica A **314**, 663 (2002), http://physics.princeton.edu/~mcdonald/examples/EM/lemaire_physica_a314_663_02.pdf
- [56] G.E. Pradillo, H.Karani and P.M. Vlahovska, *Quincke rotor dynamics in confinement: rolling and hovering*, Soft Matter **15**, 6564 (2019),
http://physics.princeton.edu/~mcdonald/examples/EM/pradillo_sm_15_6564_19.pdf

- [57] Z.M. Sherman and J.W. Swan, *Spontaneous Electrokinetic Magnus Effect*, Phys. Rev. Lett. **124**, 208002 (2020),
http://physics.princeton.edu/~mcdonald/examples/EM/sheerman_prl_124_208002_20.pdf
- [58] H. Hertz, *Ueber die Induction in rotirenden Kugeln*, dissertation (Friedrich-Wilhelms U., 1880), http://physics.princeton.edu/~mcdonald/examples/EM/hertz_dissertation_80.pdf
On Induction in Rotating Spheres, Phil. Mag. **10**, 451 (1880),
http://physics.princeton.edu/~mcdonald/examples/EM/hertz_pm_10_451_80.pdf
- [59] R. Arno, *Campo elettrico rotante e rotazioni dovute all'isteresi elettrostatica*, Rend. Reale Acad. Lincei **1**, 284 (1892),
http://physics.princeton.edu/~mcdonald/examples/EM/arno_ral_1_284_92.pdf
The Rotating Electric Field and the Rotations due to Electrostatic Hysteresis, Electrician **30**, 516 (1893),
http://physics.princeton.edu/~mcdonald/examples/EM/arno_electrician_30_516_93.pdf
- [60] G. Breit, *Der Dipol-Rotationseffekt von Born-Lertes*, Z. Phys. **11**, 129 (1922),
http://physics.princeton.edu/~mcdonald/examples/EM/breit_zp_11_129_22.pdf