

NASA CONTRACTOR REPORT CR-166536

A MATHEMATICAL MODEL FOR REAL TIME FLIGHT  
SIMULATION OF A GENERIC TILT-ROTOR AIRCRAFT

S. W. FERGUSON

CONTRACT NAS2- 11317  
SEPTEMBER 1988, REV. A

**NASA**



NASA CONTRACTOR REPORT CR-166536

A MATHEMATICAL MODEL FOR REAL TIME FLIGHT  
SIMULATION OF A GENERIC TILT-ROTOR AIRCRAFT

S. W. FERGUSON

SYSTEMS TECHNOLOGY, INC.  
MOUNTAIN VIEW, CALIFORNIA

PREPARED FOR  
AMES RESEARCH CENTER  
UNDER CONTRACT NAS2-11317

**NASA**

National Aeronautics and  
Space Administration

**Ames Research Center**  
Moffett Field, California 94035





**SYSTEMS TECHNOLOGY, INC.**

2672 BAYSHORE PARKWAY, SUITE 505 • MOUNTAIN VIEW, CALIFORNIA 94043-1011 • PHONE (415) 961-4674

(817) 473-6820  
Mansfield, Tx.

**Technical Report No. 1195-2**

**A MATHEMATICAL MODEL FOR REAL TIME FLIGHT  
SIMULATION OF A GENERIC TILT ROTOR AIRCRAFT**

Samuel W. Ferguson

October 1983  
March 1988, Rev. A  
September 1988, Rev. A (Final)

National Aeronautics and Space Administration  
Ames Research Center  
Moffett Field, California 94035

Contract NAS2-11317



## ABSTRACT

The objective of this report is to document a mathematical model for the real time flight simulation of a generic tilt-rotor aircraft which can be used in support of aircraft design, pilot training, and flight testing. The mathematical model was originally developed by Bell Helicopter Textron (BHT) under NASA Contract NAS2-6599 for the XV-15 tilt-rotor research aircraft. A real-time version of this model was implemented by Computer Sciences Corporation (CSC) on the NASA Ames Research Center (ARC) Flight Simulator for Advanced Aircraft (FSAA). Systems Technology, Inc., (STI) was given the task under NASA Contract NAS2-11317 to develop, document, and validate a generic tilt-rotor mathematical model version of the BHT mathematical model for XV-15 and generic tilt-rotor simulation on the NASA ARC Vertical Motion Simulator (VMS).

The generic tilt-rotor mathematical model development and documentation effort required that the following specific tasks be completed: (1) restructuring of the original BHT report by (a) updating the list of symbols, (b) rewriting the input/output format, (c) developing a cross reference between the VAX 11/780 and Sigma 8 versions of the generic model, and (d) modifying or adding equations to the mathematical model in several deficient areas; (2) programming, checkout, and validation of the generic tilt-rotor mathematical model; and (3) simulation support.

## FOREWORD

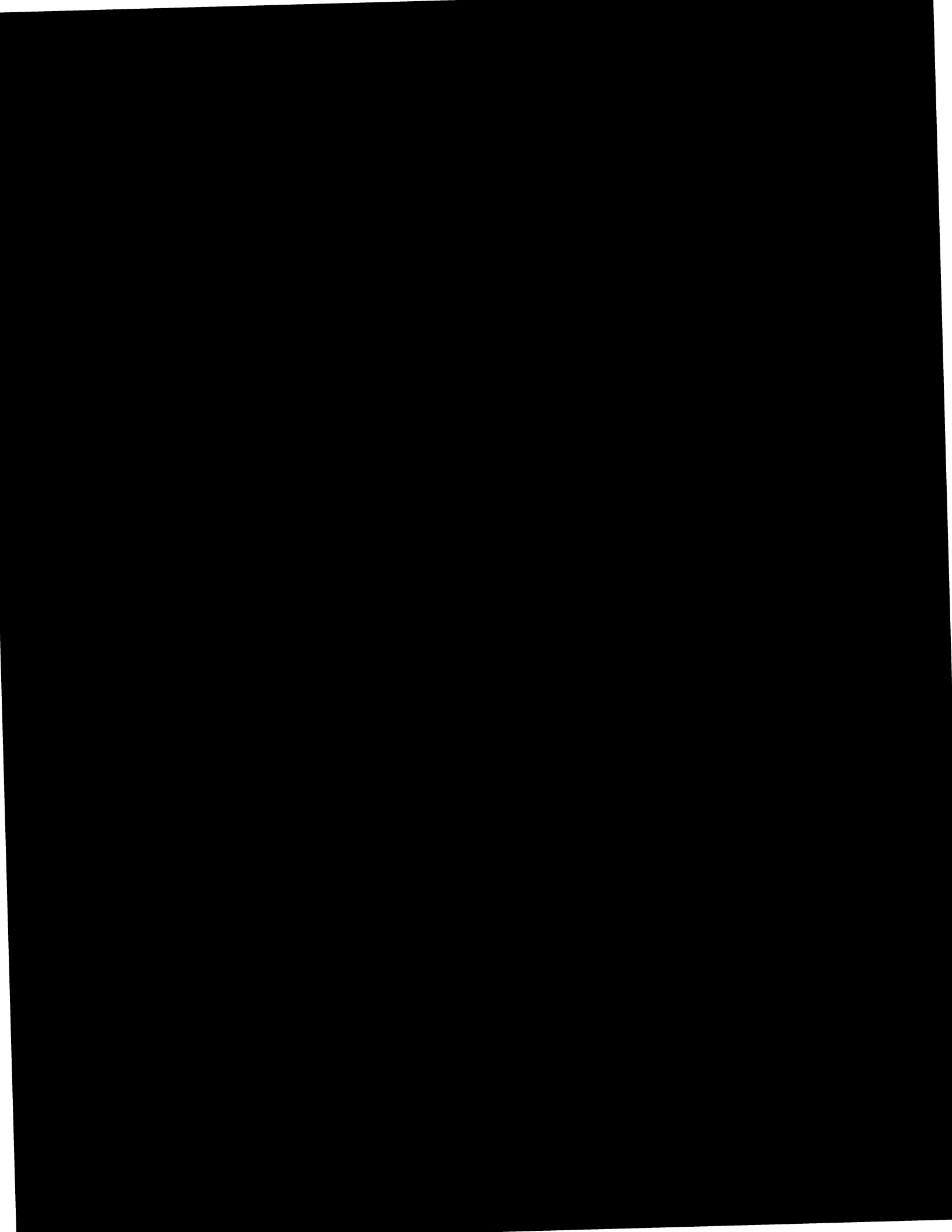
STI wishes to acknowledge the help of several groups of people involved in developing and validating the GTRS mathematical model. Mr. Gary Churchill of the NASA ARC XV-15 Project Office was extremely helpful in directing the overall NASA generic tilt-rotor validation effort and in supporting STI from a technical standpoint. Messrs. Steve Belsley and Mike Weinstein of CSC implemented all of the STI-requested modifications to the Sigma 8/VMS version of the GTRS program and helped to check out the modifications. They also provided STI with information for development of the mathematical model/Sigma 8 cross reference (Appendix C) and spent a significant amount of time helping to review documentation in order to help insure accuracy. STI would like to acknowledge the assistance provided by BHT in providing some of the computer source code used in the VAX 11/780 GTRS programming effort and in developing and writing the IFHC80 program (the program from which the GTRS program is derived) and its associated documentation. Without this assistance, it would have been impossible to develop the GTRS program in its present form. Messrs. Roger Marr, Narendra Batra, and Bradford Roberts of BHT were also very helpful in improving and updating the mathematical model for Revision A of this document, and their efforts are greatly appreciated.

## TABLE OF CONTENTS

Section	Page
I	INTRODUCTION AND BACKGROUND ..... 1
A.	Restructuring of the Report ..... 1
B.	Implementation of the Generic Tilt-Rotor Mathematical Model on the VAX 11/780 and Sigma 8/VMS Computers ..... 2
C.	Validation of the Generic Tilt-Rotor Mathematical Model ..... 4
D.	Simulation Support ..... 5
II	STRUCTURE OF THE MATHEMATICAL MODEL ..... 7
III	A GENERAL DESCRIPTION OF THE MATHEMATICAL MODEL AND INPUT DATA REQUIREMENTS ..... 11
A.	Subsystem 1: Rotor Aerodynamics ..... 11
1.	Rotor Forces and Moments ..... 11
2.	Rotor-Induced Velocity ..... 13
3.	General Input Data Requirements ..... 15
B.	Subsystem 2: Rotor-Induced Velocities (Also Parts of Subsystems 4, 5, 6, and 14) ..... 18
1.	Model Structure ..... 18
2.	Input Data Requirements ..... 20
C.	Subsystem 3: Fuselage Aerodynamics ..... 24
1.	Model Structure ..... 24
2.	Input Data Requirements ..... 24
D.	Subsystem 4: Wing-Pylon Aerodynamics ..... 24
1.	Model Structure ..... 24
2.	Input Data Requirements ..... 26

TABLE OF CONTENTS (Continued)

Section	Page
E. Subsystem 5: Horizontal Stabilizer Aerodynamics .....	27
1. Model Structure .....	27
2. Input Data Requirements .....	35
F. Subsystem 6: Vertical Stabilizer Aerodynamics .....	35
1. Model Structure .....	35
2. Input Data Requirements .....	38
G. Subsystem 7: Landing Gear .....	41
1. Model Structure .....	41
2. Input Data Requirements .....	41
H. Subsystem 8: Control System .....	41
1. Model Structure .....	41
2. Input Data Requirements .....	42
I. Subsystem 9: CG and Inertia .....	42
J. Subsystems 10 Through 14: Coordinate Transformations and Equations of Motion .....	43
K. Subsystem 15: Flight Environment .....	43
L. Subsystem 16: Pilot's Instrument Panel .....	43
M. Subsystem 17: Rotor Collective Governor .....	44
1. Model Structure .....	44
2. Input Data Requirements .....	44
N. Subsystems 18 and 19: Engines, Fuel, Controls, and Drive System Dynamics .....	45
1. Model Structure .....	45
2. Input Data Requirements .....	47



## LIST OF FIGURES

Number		Page
1	Generic Tilt-Rotor Mathematical Model Structure and Input/Output Summary .....	8
2	Side-by-Side Rotor Effect on Induced Velocity .....	16
3	Sideward Flight Rotor Effects on Induced Velocity .....	16
4	Effect of Ground Proximity on Hover Power Required .....	17
5	Rotor Wake on the Horizontal Stabilizer as a Function of Airspeed at a Nacelle Incidence of 90 Degrees .....	21
6	Representation of In-Ground Effect Rolling Moment .....	22
7	The Effect of Hover Height on Longitudinal Stick Position .....	23
8	Wing-Pylon Lift Coefficient Versus Angle of Attack for Flap/Flaperon Settings of 0/0 and 40/25 Degrees .....	28
9	Wing-Pylon Lift Coefficient Corrections Due to Compressibility .....	29
10	Wing-Pylon Lift Coefficient at Large Negative Angles of Attack for a Flap/Flaperon Setting of 40/25 Degrees ....	30
11	Wing-Pylon Drag Coefficient Versus Angle of Attack for Flap/Flaperon Settings of 0/0 and 40/25 Degrees .....	31
12	Wing-Pylon Drag Coefficient Corrections Due to Compressibility .....	32
13	Wing-Pylon Drag Coefficient at Large Negative Angles of Attack for a Flap/Flaperon Setting of 40/25 Degrees .....	33
14	Wing-Pylon Wake Deflection (Downwash) at the Horizontal Stabilizer for Flap/Flaperon Settings of 0/0 and 40/25 Degrees .....	34
15	Horizontal Stabilizer Lift Coefficient Versus Angle of Attack .....	36
16	Horizontal Stabilizer Drag Coefficient Versus Angle of Attack .....	37



LIST OF FIGURES (Concluded)

Number		Page
17	Vertical Stabilizer Side Force Coefficient Versus Sideslip Angle .....	39
18	Vertical Stabilizer Drag Coefficient Versus Sideslip Angle .....	40



## SECTION I

### INTRODUCTION AND BACKGROUND

The objective of this report is to document a mathematical model for the real time flight simulation of a generic tilt-rotor aircraft which can be used in support of aircraft design, pilot training, and flight testing. The mathematical model was originally developed by Bell Helicopter Textron (BHT) under NASA Contract NAS2-6599 for the XV-15 tilt-rotor research aircraft (Ref. 1). A real-time version of this model was implemented by Computer Sciences Corporation (CSC) on the NASA Ames Research Center (ARC) Flight Simulator for Advanced Aircraft (FSAA). Systems Technology, Inc., (STI) was given the task under NASA Contract NAS2-11317 to develop, document, and validate a generic tilt-rotor mathematical model version of the BHT mathematical model for XV-15 and generic tilt-rotor simulation on the NASA ARC Vertical Motion Simulator (VMS). The first release of this development effort was completed in October 1983.

The generic tilt-rotor mathematical model development and documentation effort required that the following specific tasks be completed: (1) restructuring of the original BHT report by (a) updating the list of symbols, (b) rewriting the input/output format, (c) developing a cross reference between the VAX 11/780 and Sigma 8 versions of the generic model, and (d) modifying or adding equations to the mathematical model in several deficient areas; (2) programming, checkout, and validation of the generic tilt-rotor mathematical model; and (3) simulation support.

#### A. RESTRUCTURING OF THE REPORT

The tilt-rotor mathematical model equations, as originally derived, represented the kinematic, dynamic, and aerodynamic characteristics of the XV-15 rotor, airframe, and flight control system. A description of the development of the mathematical model, in its original form, is presented in Ref. 1. The equations presented in that report are, in many instances,

revised in this report to provide an improved generic model as based on XV-15 flight test data. The equations of this improved generic tilt-rotor mathematical model are provided in Appendix A of this report. The XV-15 input data array taken from Ref. 1 has also been significantly updated and restructured to the generic mathematical model input format and is presented in Appendix B of this report.

All pages from the original BHT mathematical model report (Ref. 1) which remain unchanged are presented in this report with the Bell report number, 301-099-001, located in the lower left-hand corner. New or corrected pages are identified by the STI report number, TR-1195-2. Pages that have been revised for this edition of the STI report are labeled TR-1195-2 (Rev. A).

Appendix C of this report contains a cross reference, developed by STI and CSC, of the mathematical model input data array and the associated computer variable names used in the Sigma 8/VMS version of the program.

## **B. IMPLEMENTATION OF THE GENERIC TILT-ROTOR MATHEMATICAL MODEL ON THE VAX 11/780 AND SIGMA 8/VMS COMPUTERS**

The initial version of what is now the generic tilt-rotor program was developed in the 1970s by BHT for use as an offline XV-15 tilt-rotor analysis tool. A version of this program, IFHC80, was delivered in 1980 to NASA ARC in a non-generic form for use with the XV-15 only. This program is based on the XV-15 tilt-rotor mathematical model of Ref. 1 and was used as a checkout tool prior to BHT XV-15 simulations. A user's guide and programmer's guide, Refs. 2 and 3, were delivered for use with this program.

STI used the IFHC80 program, as requested by the XV-15 Tilt Rotor Project Office, as a basis for development of the generic tilt-rotor simulation program (GTRS) described in this document. The GTRS program has been implemented on the NASA ARC VAX 11/780 computer, and the effort has involved an extensive reformatting and recoding of the IFHC80 program's complete input/output structure and format. In addition, several computer

programming errors were corrected during the creation of the GTRS program. During development of both the original version and Revision A of GTRS, informal discussions were held between STI and BHT in an effort to define areas of similarity which might be maintained between STI's GTRS program and versions of a generic tilt-rotor program that have been developed by BHT for their internal use. As a result of these discussions, STI has adopted some FORTRAN coding supplied by BHT for use with the GTRS program. Almost all of this code is related to the input and internal storage of aerodynamic data so as to maintain commonality between BHT and NASA in the way in which tilt-rotor aerodynamic data is described for use in the program. During the debugging and checkout of the STI GTRS program, BHT was notified of the coding modifications and changes that would be required for any future use of the BHT-supplied FORTRAN code. This was because some of the STI code was developed before some of the BHT code.

A user's guide and a programmer's guide have been written for the VAX 11/780 version of the GTRS program and were originally available as Refs. 4 and 5, respectively. Both of these reports are now superseded by Revision A versions with the same titles (their release date is the same as the release date of this document). Appendices I and J of Ref. 4 provide a cross reference between the input data and computer variable names and the equations in the original version of this document for both the VAX 11/780 and Sigma 8/VMS\* computer versions of the generic tilt-rotor mathematical model. The Sigma 8/VMS version has not been released in a Revision A upgrade. All information contained in Refs. 4 and 5, other than that supplied in Appendices I and J, is intended to apply to the STI-developed VAX 11/780 version of the GTRS program only, unless otherwise specified, even though there are many similarities among the STI-, CSC-, and BHT-developed versions of the mathematical models and the associated versions of computer code.

---

\*The Sigma 8 version of the GTRS program was developed by CSC under a separate contract and is used presently for real-time simulation of the XV-15. GTRS is also an off-line version developed by STI for use on the VAX 11/780 computer.

**C. VALIDATION OF THE GENERIC TILT-ROTOR  
MATHEMATICAL MODEL**

The original XV-15 mathematical model (Ref. 1) was validated by BHT through the use of wind tunnel tests, other computer programs, and limited flight tests. Work accomplished by STI has been directed toward validation of the GTRS program using the earlier XV-15 data base as well as the extensive flight test data base which is presently being developed with the XV-15. Both the VAX 11/780 and Sigma 8/VMS versions of the GTRS program have been used in the validation effort. Output from both of the simulation programs has also been compared for numerous flight conditions in order to ensure that both programs yield the same calculated results. While conducting the validation study with flight test data, the following limitations/deficiencies were identified by STI.

1. The prediction of hover performance was originally found to be clearly overly optimistic (helicopter and airplane forward flight performance was only slightly over predicted).
2. In-ground effect rotor modeling was unacceptable for rotor power calculation.
3. In-ground effect pitching moments were not predicted as observed in flight test.
4. The calculated hover in-ground effect rolling moment instability was excessive and of too high a frequency in comparison with flight data.
5. Spinner drag modeling was discovered to be implemented incorrectly.
6. Pylon drag modeling (including wing-pylon interference drag) was determined to be inadequate.
7. A static  $B_1$  rigging offset term was not included in the control system model so that the rotor controls could be rigged like the XV-15.
8. The XV-15 20-degree flap position (and associated aerodynamic tables) was not available for selection by the pilot with the model (this flap position is one of the three normal XV-15 flap positions)

9. Simulated trimmed sideward flight data did not correlate well with XV-15 flight test data.
10. Short takeoffs and landings were found to require too much distance (possibly due to the lack of a wing in-ground effect model and inaccurate rotor/wing flow field modeling while in ground effect).
11. Questionable input data values were identified for elevator, rudder, and aileron effectiveness as well as the Q-loss value at the respective control surfaces (as observed through correlation of aircraft simulation response to flight test response for the same control input).
12. Values for the XV-15 inertias were demonstrated to be out of date (airframe modifications and flight test instrumentation weights and locations were not included in the calculated inertias).

BHT was notified of each these model limitations/deficiencies. Modifications were made to the GTRS program or input data values which resolved all of the limitations/deficiencies except for the deficiencies involved with short takeoffs and landings. An investigation into the STOL deficiency was beyond the scope of effort STI was tasked to accomplish at that time. Interim results from the mathematical model validation effort are presented in Ref. 6. The final report (Ref. 7) for the contract provides a more detailed discussion of the results from the validation effort.

#### **D. SIMULATION SUPPORT**

STI provided engineering support to NASA and CSC for the initial generic tilt-rotor simulation validation effort that was conducted at NASA ARC from January to April 1983. The support to NASA was provided in order to aid in the evaluation of the XV-15 data input configuration (in the generic mathematical model format) and to modify the model as required. Both open- and closed-loop evaluations of the model were conducted using NASA and military XV-15 pilots. CSC support was provided to aid in implementation and checkout of the generic model on the Sigma 8 computer and the VMS. Major off-line simulation efforts were conducted in 1983 and

1984 to investigate improvements to the mathematical model and to correlate results with flight test data taken specifically for simulation validation purposes. Other off-line validation efforts have been conducted using the VAX 11/780 version of the program beginning in 1983 and continuing to the release of this report. Some of these efforts have also involved work with tilt-rotor configurations other than the XV-15.



## SECTION II

### STRUCTURE OF THE MATHEMATICAL MODEL

The generic tilt-rotor mathematical model structure is presented in the block diagram shown in Fig. 1. The mathematical model differs from that of a conventional fixed-wing aircraft in that there are added requirements to represent the dynamics and aerodynamics of the rotors, the interaction of the rotor wake with the airframe, and the rotor control and drive systems. The rigorousness of the mathematical model of the tilt-rotor aircraft was constrained by two factors. One factor was the requirement to keep the computational loop time to less than 70 ms in order to maintain a real time simulation. In order to achieve this, it was necessary to limit the rotor representation to steady, linearized aerodynamics having a uniform inflow and to approximate the rotor following time. Rotor stall and compressibility effects were used only to define a limit for the maximum rotor thrust coefficient as a function of advance ratio. This rotor mathematical model is satisfactory for most handling qualities studies but may be inadequate to evaluate flight conditions or maneuvers where stall, compressibility, or rotor dynamics are significant.

A second factor constraining the rigorousness of the mathematical model was the lack of sufficient experimental data on rotor wake-airframe aerodynamic interactions, such as the downwash (or upwash) of the rotors at the horizontal tail. The model of the rotor wake-airframe interaction was initially based on a limited amount of data from tests of a powered model of a tilt-rotor aircraft similar to the XV-15. Tests were subsequently completed using a powered model of the XV-15 to obtain detailed information on the rotor wake-airframe aerodynamic interactions. This data was used to update the simulation and refine the model for this important characteristic of a tilt-rotor. Other revisions were made to the mathematical model during the aircraft development in order to reflect design changes in the aircraft, corrections to the mathematical model, and

X	
T	
I	O

8

X Module number  
 T Module title  
 I Inputs from other modules  
 O Outputs to other modules

<table border="1"> <tr><th colspan="2">1 ROTOR AERODYNAMICS</th></tr> <tr><th>INPUT</th><th>OUTPUT</th></tr> <tr><td>8a</td><td>2</td></tr> <tr><td>9</td><td>10b</td></tr> <tr><td>10b</td><td>13</td></tr> <tr><td>11</td><td>14</td></tr> <tr><td>12</td><td>19</td></tr> <tr><td>15</td><td></td></tr> <tr><td>19</td><td></td></tr> </table>	1 ROTOR AERODYNAMICS		INPUT	OUTPUT	8a	2	9	10b	10b	13	11	14	12	19	15		19		<table border="1"> <tr><th colspan="2">2 ROTOR INDUCED VELOCITIES</th></tr> <tr><th>INPUT</th><th>OUTPUT</th></tr> <tr><td>1</td><td>4</td></tr> <tr><td>8a</td><td>5</td></tr> <tr><td>12</td><td>6</td></tr> <tr><td>15</td><td></td></tr> </table>	2 ROTOR INDUCED VELOCITIES		INPUT	OUTPUT	1	4	8a	5	12	6	15		<table border="1"> <tr><th colspan="2">3 FUSELAGE AERODYNAMICS</th></tr> <tr><th>INPUT</th><th>OUTPUT</th></tr> <tr><td>12</td><td>7</td></tr> <tr><td>13</td><td>8b</td></tr> <tr><td></td><td>10a</td></tr> </table>	3 FUSELAGE AERODYNAMICS		INPUT	OUTPUT	12	7	13	8b		10a	<table border="1"> <tr><th colspan="2">4 WING-PYLON AERODYNAMICS</th></tr> <tr><th>INPUT</th><th>OUTPUT</th></tr> <tr><td>4</td><td>5</td></tr> <tr><td>8a</td><td>10a</td></tr> <tr><td>11</td><td>14</td></tr> <tr><td>12</td><td></td></tr> <tr><td>15</td><td></td></tr> </table>	4 WING-PYLON AERODYNAMICS		INPUT	OUTPUT	4	5	8a	10a	11	14	12		15		<table border="1"> <tr><th colspan="2">5 HORIZONTAL STABILIZER AERODYNAMICS</th></tr> <tr><th>INPUT</th><th>OUTPUT</th></tr> <tr><td>2</td><td>6</td></tr> <tr><td>8a</td><td>10a</td></tr> <tr><td>9</td><td></td></tr> <tr><td>11</td><td></td></tr> <tr><td>12</td><td></td></tr> <tr><td>15</td><td></td></tr> </table>	5 HORIZONTAL STABILIZER AERODYNAMICS		INPUT	OUTPUT	2	6	8a	10a	9		11		12		15		<table border="1"> <tr><th colspan="2">6 VERTICAL STABILIZER AERODYNAMICS</th></tr> <tr><th>INPUT</th><th>OUTPUT</th></tr> <tr><td>2</td><td>10a</td></tr> <tr><td>5</td><td></td></tr> <tr><td>8a</td><td></td></tr> <tr><td>9</td><td></td></tr> <tr><td>11</td><td></td></tr> <tr><td>12</td><td></td></tr> <tr><td>15</td><td></td></tr> </table>	6 VERTICAL STABILIZER AERODYNAMICS		INPUT	OUTPUT	2	10a	5		8a		9		11		12		15		<table border="1"> <tr><th colspan="2">7 LANDING GEAR</th></tr> <tr><th>INPUT</th><th>OUTPUT</th></tr> <tr><td>3</td><td>10a</td></tr> <tr><td>8a</td><td>13</td></tr> <tr><td>8d</td><td>14</td></tr> <tr><td>9</td><td>16</td></tr> <tr><td>10c</td><td></td></tr> <tr><td>10f</td><td></td></tr> <tr><td>12</td><td></td></tr> </table>	7 LANDING GEAR		INPUT	OUTPUT	3	10a	8a	13	8d	14	9	16	10c		10f		12	
1 ROTOR AERODYNAMICS																																																																																																																
INPUT	OUTPUT																																																																																																															
8a	2																																																																																																															
9	10b																																																																																																															
10b	13																																																																																																															
11	14																																																																																																															
12	19																																																																																																															
15																																																																																																																
19																																																																																																																
2 ROTOR INDUCED VELOCITIES																																																																																																																
INPUT	OUTPUT																																																																																																															
1	4																																																																																																															
8a	5																																																																																																															
12	6																																																																																																															
15																																																																																																																
3 FUSELAGE AERODYNAMICS																																																																																																																
INPUT	OUTPUT																																																																																																															
12	7																																																																																																															
13	8b																																																																																																															
	10a																																																																																																															
4 WING-PYLON AERODYNAMICS																																																																																																																
INPUT	OUTPUT																																																																																																															
4	5																																																																																																															
8a	10a																																																																																																															
11	14																																																																																																															
12																																																																																																																
15																																																																																																																
5 HORIZONTAL STABILIZER AERODYNAMICS																																																																																																																
INPUT	OUTPUT																																																																																																															
2	6																																																																																																															
8a	10a																																																																																																															
9																																																																																																																
11																																																																																																																
12																																																																																																																
15																																																																																																																
6 VERTICAL STABILIZER AERODYNAMICS																																																																																																																
INPUT	OUTPUT																																																																																																															
2	10a																																																																																																															
5																																																																																																																
8a																																																																																																																
9																																																																																																																
11																																																																																																																
12																																																																																																																
15																																																																																																																
7 LANDING GEAR																																																																																																																
INPUT	OUTPUT																																																																																																															
3	10a																																																																																																															
8a	13																																																																																																															
8d	14																																																																																																															
9	16																																																																																																															
10c																																																																																																																
10f																																																																																																																
12																																																																																																																
<table border="1"> <tr><th colspan="2">8a CONTROLS</th></tr> <tr><th>INPUT</th><th>OUTPUT</th></tr> <tr><td>8d</td><td>1,2</td></tr> <tr><td>12</td><td>4,5</td></tr> <tr><td>17</td><td>6,7</td></tr> <tr><td>20</td><td>9,10b</td></tr> <tr><td></td><td>17</td></tr> <tr><td></td><td>18</td></tr> <tr><td></td><td>20</td></tr> </table>	8a CONTROLS		INPUT	OUTPUT	8d	1,2	12	4,5	17	6,7	20	9,10b		17		18		20	<table border="1"> <tr><th colspan="2">8b FORCE FEEL SYSTEM</th></tr> <tr><th>INPUT</th><th>OUTPUT</th></tr> <tr><td>3</td><td>To</td></tr> <tr><td>8c</td><td>Analog</td></tr> <tr><td>8d</td><td>Control Loaders (8d)</td></tr> </table>	8b FORCE FEEL SYSTEM		INPUT	OUTPUT	3	To	8c	Analog	8d	Control Loaders (8d)	<table border="1"> <tr><th colspan="2">8c CONTROL FORCE TRIM SYSTEM</th></tr> <tr><th>INPUT</th><th>OUTPUT</th></tr> <tr><td>3</td><td>8b</td></tr> <tr><td>8d</td><td></td></tr> </table>	8c CONTROL FORCE TRIM SYSTEM		INPUT	OUTPUT	3	8b	8d		<table border="1"> <tr><th colspan="2">8d PILOT'S CONTROL FUNCTION</th></tr> <tr><th>INPUT</th><th>OUTPUT</th></tr> <tr><td>From Analog Control Loaders (8b)</td><td>7</td></tr> <tr><td></td><td>8a</td></tr> <tr><td></td><td>8b</td></tr> <tr><td></td><td>8c</td></tr> <tr><td></td><td>17</td></tr> <tr><td></td><td>20</td></tr> </table>	8d PILOT'S CONTROL FUNCTION		INPUT	OUTPUT	From Analog Control Loaders (8b)	7		8a		8b		8c		17		20	<table border="1"> <tr><th colspan="2">9 C.G. AND INERTIA</th></tr> <tr><th>INPUT</th><th>OUTPUT</th></tr> <tr><td>8a</td><td>1</td></tr> <tr><td>10f</td><td>6</td></tr> <tr><td></td><td>7</td></tr> <tr><td></td><td>9</td></tr> <tr><td></td><td>10f</td></tr> <tr><td></td><td>11</td></tr> <tr><td></td><td>12</td></tr> <tr><td></td><td>14</td></tr> </table>	9 C.G. AND INERTIA		INPUT	OUTPUT	8a	1	10f	6		7		9		10f		11		12		14	<table border="1"> <tr><th colspan="2">10a AIRFRAME WIND TO BODY AXIS TRANSFORMATION</th></tr> <tr><th>INPUT</th><th>OUTPUT</th></tr> <tr><td>3</td><td>13</td></tr> <tr><td>4</td><td>14</td></tr> <tr><td>5</td><td></td></tr> <tr><td>6</td><td></td></tr> <tr><td>7</td><td></td></tr> <tr><td>12</td><td></td></tr> </table>	10a AIRFRAME WIND TO BODY AXIS TRANSFORMATION		INPUT	OUTPUT	3	13	4	14	5		6		7		12		<table border="1"> <tr><th colspan="2">10b ROTOR WIND TO BODY AXIS TRANSFORMATION</th></tr> <tr><th>INPUT</th><th>OUTPUT</th></tr> <tr><td>1</td><td>1</td></tr> <tr><td>8a</td><td>13</td></tr> <tr><td></td><td>14</td></tr> </table>	10b ROTOR WIND TO BODY AXIS TRANSFORMATION		INPUT	OUTPUT	1	1	8a	13		14								
8a CONTROLS																																																																																																																
INPUT	OUTPUT																																																																																																															
8d	1,2																																																																																																															
12	4,5																																																																																																															
17	6,7																																																																																																															
20	9,10b																																																																																																															
	17																																																																																																															
	18																																																																																																															
	20																																																																																																															
8b FORCE FEEL SYSTEM																																																																																																																
INPUT	OUTPUT																																																																																																															
3	To																																																																																																															
8c	Analog																																																																																																															
8d	Control Loaders (8d)																																																																																																															
8c CONTROL FORCE TRIM SYSTEM																																																																																																																
INPUT	OUTPUT																																																																																																															
3	8b																																																																																																															
8d																																																																																																																
8d PILOT'S CONTROL FUNCTION																																																																																																																
INPUT	OUTPUT																																																																																																															
From Analog Control Loaders (8b)	7																																																																																																															
	8a																																																																																																															
	8b																																																																																																															
	8c																																																																																																															
	17																																																																																																															
	20																																																																																																															
9 C.G. AND INERTIA																																																																																																																
INPUT	OUTPUT																																																																																																															
8a	1																																																																																																															
10f	6																																																																																																															
	7																																																																																																															
	9																																																																																																															
	10f																																																																																																															
	11																																																																																																															
	12																																																																																																															
	14																																																																																																															
10a AIRFRAME WIND TO BODY AXIS TRANSFORMATION																																																																																																																
INPUT	OUTPUT																																																																																																															
3	13																																																																																																															
4	14																																																																																																															
5																																																																																																																
6																																																																																																																
7																																																																																																																
12																																																																																																																
10b ROTOR WIND TO BODY AXIS TRANSFORMATION																																																																																																																
INPUT	OUTPUT																																																																																																															
1	1																																																																																																															
8a	13																																																																																																															
	14																																																																																																															
<table border="1"> <tr><th colspan="2">10c EULER ANGLE TRANSFORMATIONS</th></tr> <tr><th>INPUT</th><th>OUTPUT</th></tr> <tr><td>10c</td><td>7</td></tr> <tr><td>11</td><td>10c</td></tr> <tr><td></td><td>10d</td></tr> <tr><td></td><td>12</td></tr> <tr><td></td><td>14</td></tr> <tr><td></td><td>16</td></tr> <tr><td></td><td>17</td></tr> <tr><td></td><td>VFA</td></tr> </table>	10c EULER ANGLE TRANSFORMATIONS		INPUT	OUTPUT	10c	7	11	10c		10d		12		14		16		17		VFA	<table border="1"> <tr><th colspan="2">10d EARTH BASED VELOCITY</th></tr> <tr><th>INPUT</th><th>OUTPUT</th></tr> <tr><td>10c</td><td>10e</td></tr> <tr><td>12</td><td></td></tr> </table>	10d EARTH BASED VELOCITY		INPUT	OUTPUT	10c	10e	12		<table border="1"> <tr><th colspan="2">10e GROUND VELOCITY SUMMATION</th></tr> <tr><th>INPUT</th><th>OUTPUT</th></tr> <tr><td>10d</td><td>10f</td></tr> <tr><td>Wind</td><td>VFA</td></tr> </table>	10e GROUND VELOCITY SUMMATION		INPUT	OUTPUT	10d	10f	Wind	VFA	<table border="1"> <tr><th colspan="2">10f GROUND REFERENCE DISTANCES</th></tr> <tr><th>INPUT</th><th>OUTPUT</th></tr> <tr><td>9</td><td>7</td></tr> <tr><td>10e</td><td>9</td></tr> <tr><td></td><td>15</td></tr> <tr><td></td><td>16</td></tr> <tr><td></td><td>18</td></tr> <tr><td></td><td>VFA</td></tr> </table>	10f GROUND REFERENCE DISTANCES		INPUT	OUTPUT	9	7	10e	9		15		16		18		VFA	<table border="1"> <tr><th colspan="2">11 AIRCRAFT ANGULAR ACCELERATION AND VELOCITIES</th></tr> <tr><th>INPUT</th><th>OUTPUT</th></tr> <tr><td>9</td><td>1,4</td></tr> <tr><td>11</td><td>5,6</td></tr> <tr><td>13</td><td>10c</td></tr> <tr><td>14</td><td>11</td></tr> <tr><td></td><td>12</td></tr> <tr><td></td><td>10d</td></tr> <tr><td></td><td>FSAA</td></tr> <tr><td></td><td>Cab</td></tr> </table>	11 AIRCRAFT ANGULAR ACCELERATION AND VELOCITIES		INPUT	OUTPUT	9	1,4	11	5,6	13	10c	14	11		12		10d		FSAA		Cab	<table border="1"> <tr><th colspan="2">12 BODY AXIS LINEAR ACCELERATIONS AND VELOCITIES</th></tr> <tr><th>INPUT</th><th>OUTPUT</th></tr> <tr><td>9</td><td>1,2</td></tr> <tr><td>10c</td><td>3,4</td></tr> <tr><td>11</td><td>5,6</td></tr> <tr><td>12</td><td>7,8a</td></tr> <tr><td>13</td><td>10d</td></tr> <tr><td></td><td>12,13</td></tr> <tr><td></td><td>14,15</td></tr> <tr><td></td><td>16,18</td></tr> </table>	12 BODY AXIS LINEAR ACCELERATIONS AND VELOCITIES		INPUT	OUTPUT	9	1,2	10c	3,4	11	5,6	12	7,8a	13	10d		12,13		14,15		16,18	<table border="1"> <tr><th colspan="2">13 FORCE SUMMATION</th></tr> <tr><th>INPUT</th><th>OUTPUT</th></tr> <tr><td>7</td><td>11</td></tr> <tr><td>10a</td><td>12</td></tr> <tr><td>10b</td><td></td></tr> <tr><td>18</td><td></td></tr> </table>	13 FORCE SUMMATION		INPUT	OUTPUT	7	11	10a	12	10b		18			
10c EULER ANGLE TRANSFORMATIONS																																																																																																																
INPUT	OUTPUT																																																																																																															
10c	7																																																																																																															
11	10c																																																																																																															
	10d																																																																																																															
	12																																																																																																															
	14																																																																																																															
	16																																																																																																															
	17																																																																																																															
	VFA																																																																																																															
10d EARTH BASED VELOCITY																																																																																																																
INPUT	OUTPUT																																																																																																															
10c	10e																																																																																																															
12																																																																																																																
10e GROUND VELOCITY SUMMATION																																																																																																																
INPUT	OUTPUT																																																																																																															
10d	10f																																																																																																															
Wind	VFA																																																																																																															
10f GROUND REFERENCE DISTANCES																																																																																																																
INPUT	OUTPUT																																																																																																															
9	7																																																																																																															
10e	9																																																																																																															
	15																																																																																																															
	16																																																																																																															
	18																																																																																																															
	VFA																																																																																																															
11 AIRCRAFT ANGULAR ACCELERATION AND VELOCITIES																																																																																																																
INPUT	OUTPUT																																																																																																															
9	1,4																																																																																																															
11	5,6																																																																																																															
13	10c																																																																																																															
14	11																																																																																																															
	12																																																																																																															
	10d																																																																																																															
	FSAA																																																																																																															
	Cab																																																																																																															
12 BODY AXIS LINEAR ACCELERATIONS AND VELOCITIES																																																																																																																
INPUT	OUTPUT																																																																																																															
9	1,2																																																																																																															
10c	3,4																																																																																																															
11	5,6																																																																																																															
12	7,8a																																																																																																															
13	10d																																																																																																															
	12,13																																																																																																															
	14,15																																																																																																															
	16,18																																																																																																															
13 FORCE SUMMATION																																																																																																																
INPUT	OUTPUT																																																																																																															
7	11																																																																																																															
10a	12																																																																																																															
10b																																																																																																																
18																																																																																																																
<table border="1"> <tr><th colspan="2">14 MOMENT SUMMATION</th></tr> <tr><th>INPUT</th><th>OUTPUT</th></tr> <tr><td>1</td><td>11</td></tr> <tr><td>4</td><td></td></tr> <tr><td>7</td><td></td></tr> <tr><td>9</td><td></td></tr> <tr><td>10a</td><td></td></tr> <tr><td>10b</td><td></td></tr> <tr><td>10c</td><td></td></tr> <tr><td>12</td><td></td></tr> </table>	14 MOMENT SUMMATION		INPUT	OUTPUT	1	11	4		7		9		10a		10b		10c		12		<table border="1"> <tr><th colspan="2">15 FLIGHT ENVIRONMENT DATA</th></tr> <tr><th>INPUT</th><th>OUTPUT</th></tr> <tr><td>10f</td><td>1,2</td></tr> <tr><td>12</td><td>3,4</td></tr> <tr><td></td><td>5,6</td></tr> <tr><td></td><td>13</td></tr> <tr><td></td><td>16</td></tr> <tr><td></td><td>18</td></tr> </table>	15 FLIGHT ENVIRONMENT DATA		INPUT	OUTPUT	10f	1,2	12	3,4		5,6		13		16		18	<table border="1"> <tr><th colspan="2">16 PILOT'S INSTRUMENT PANEL</th></tr> <tr><th>INPUT</th><th>OUTPUT</th></tr> <tr><td>7,8d</td><td>Visual to Pilot</td></tr> <tr><td>10c</td><td></td></tr> <tr><td>10f</td><td></td></tr> <tr><td>12</td><td></td></tr> <tr><td>15</td><td></td></tr> <tr><td>17</td><td></td></tr> <tr><td>18</td><td></td></tr> <tr><td>19</td><td></td></tr> </table>	16 PILOT'S INSTRUMENT PANEL		INPUT	OUTPUT	7,8d	Visual to Pilot	10c		10f		12		15		17		18		19		<table border="1"> <tr><th colspan="2">17 ROTOR COLLECTIVE GOVERNOR</th></tr> <tr><th>INPUT</th><th>OUTPUT</th></tr> <tr><td>8a</td><td>8a</td></tr> <tr><td>8d</td><td>16</td></tr> <tr><td>19</td><td></td></tr> </table>	17 ROTOR COLLECTIVE GOVERNOR		INPUT	OUTPUT	8a	8a	8d	16	19		<table border="1"> <tr><th colspan="2">18 ENGINES AND FUEL CONTROLS</th></tr> <tr><th>INPUT</th><th>OUTPUT</th></tr> <tr><td>8a</td><td>13</td></tr> <tr><td>10f</td><td>16</td></tr> <tr><td>12</td><td>19</td></tr> <tr><td>13</td><td></td></tr> <tr><td>19</td><td></td></tr> </table>	18 ENGINES AND FUEL CONTROLS		INPUT	OUTPUT	8a	13	10f	16	12	19	13		19		<table border="1"> <tr><th colspan="2">19 DRIVE SYSTEM DYNAMICS</th></tr> <tr><th>INPUT</th><th>OUTPUT</th></tr> <tr><td>1</td><td>1</td></tr> <tr><td>18</td><td>16</td></tr> <tr><td></td><td>17</td></tr> <tr><td></td><td>18</td></tr> </table>	19 DRIVE SYSTEM DYNAMICS		INPUT	OUTPUT	1	1	18	16		17		18	<table border="1"> <tr><th colspan="2">20 SCAS SYSTEM</th></tr> <tr><th>INPUT</th><th>OUTPUT</th></tr> <tr><td>8a</td><td>8a</td></tr> <tr><td>8d</td><td></td></tr> <tr><td>10c</td><td></td></tr> <tr><td>11</td><td></td></tr> <tr><td>12</td><td></td></tr> </table>	20 SCAS SYSTEM		INPUT	OUTPUT	8a	8a	8d		10c		11		12	
14 MOMENT SUMMATION																																																																																																																
INPUT	OUTPUT																																																																																																															
1	11																																																																																																															
4																																																																																																																
7																																																																																																																
9																																																																																																																
10a																																																																																																																
10b																																																																																																																
10c																																																																																																																
12																																																																																																																
15 FLIGHT ENVIRONMENT DATA																																																																																																																
INPUT	OUTPUT																																																																																																															
10f	1,2																																																																																																															
12	3,4																																																																																																															
	5,6																																																																																																															
	13																																																																																																															
	16																																																																																																															
	18																																																																																																															
16 PILOT'S INSTRUMENT PANEL																																																																																																																
INPUT	OUTPUT																																																																																																															
7,8d	Visual to Pilot																																																																																																															
10c																																																																																																																
10f																																																																																																																
12																																																																																																																
15																																																																																																																
17																																																																																																																
18																																																																																																																
19																																																																																																																
17 ROTOR COLLECTIVE GOVERNOR																																																																																																																
INPUT	OUTPUT																																																																																																															
8a	8a																																																																																																															
8d	16																																																																																																															
19																																																																																																																
18 ENGINES AND FUEL CONTROLS																																																																																																																
INPUT	OUTPUT																																																																																																															
8a	13																																																																																																															
10f	16																																																																																																															
12	19																																																																																																															
13																																																																																																																
19																																																																																																																
19 DRIVE SYSTEM DYNAMICS																																																																																																																
INPUT	OUTPUT																																																																																																															
1	1																																																																																																															
18	16																																																																																																															
	17																																																																																																															
	18																																																																																																															
20 SCAS SYSTEM																																																																																																																
INPUT	OUTPUT																																																																																																															
8a	8a																																																																																																															
8d																																																																																																																
10c																																																																																																																
11																																																																																																																
12																																																																																																																

Figure 1. Generic Tilt-Rotor Mathematical Model Structure and Input/Output Summary

additions or improvements to the mathematical model. This latest revision provides the most recently updated documentation of the mathematical model in its generic tilt-rotor form. Many of the changes to the Revision A version of the mathematical model involve improvements that are incorporated as a result of correlation with XV-15 flight test data.



## SECTION III

### A GENERAL DESCRIPTION OF THE MATHEMATICAL MODEL AND INPUT DATA REQUIREMENTS

This section describes the mathematical models of the generic tilt-rotor aircraft components--the rotors, the airframe, the control system, the engines and drive system, and the automatic flight control systems (Subsystems 1 through 9, and 17 through 20 in Fig. 1)--and the input data requirements for those components. The equations of motion used with the mathematical model (Subsystems 10 through 14 in Fig. 1) are the same as those found in Ref. 8.

Earth-, body-, wind-, and mast-axes systems are used in the generic tilt-rotor mathematical model. The rotor flapping, forces, and moments are calculated in a "wind-mast" axis system, while the airframe aerodynamic forces and moments are calculated in a wind-axis system. Forces and moments from the rotor and airframe are then resolved into the body-axis system for solution of the aircraft equations of motion. The flight path of the tilt-rotor is described with reference to earth-fixed axes with the orientation given by the Euler angles  $\Psi$ ,  $\theta$ , and  $\phi$ , in that order of rotation. Details on individual subsystem sign conventions are provided in the following sections.

#### A. SUBSYSTEM 1: ROTOR AERODYNAMICS

##### 1. Rotor Forces and Moments

The mathematical model of the rotor is similar to that described in Refs. 9 and 10, except that it is derived in a mast-axis system (the theory in Ref. 9 is based on an axis system perpendicular to the axis of no flapping, i.e., the tip-path-plane, and that of Ref. 10 is based on the

axis of no feathering) and contains provisions for prop-rotor characteristics such as nonlinear twist, flapping restraint, and pitch-flap coupling. The mast-axis system and sign convention used for the rotor are shown in Fig. A1-1 (in Appendix A). The rotor flapping, forces, and moments are calculated in the "wind-mast" axis system ( $\bar{a}_1$ ,  $\bar{b}_1$ ,  $\bar{T}$ ,  $\bar{H}$ , and  $\bar{Y}$ ) and are then transformed into the mast-axis system ( $a_1$ ,  $b_1$ ,  $T$ ,  $H$ , and  $Y$ ).

Major assumptions that are made in the rotor mathematical model include:

1. Average values for the lift-curve slope and profile-drag coefficient are used over the entire span of the blade. These are adjusted to approximate the rotor thrust- and power-required characteristics.
2. The blade angle of attack,  $\alpha_r$ , is approximated by  $\sin \alpha_r$ . Substitution of  $\sin \alpha_r$  for  $\alpha_r$  in the blade element equations makes it possible to develop equations for rotor forces without restricting blade pitch,  $\theta$ , and inflow angle,  $\phi$ , to small angles.
3. Blade flapping with respect to the mast is considered to be small so that the small angle assumption can be made, and harmonics of flapping greater than one-per-revolution are ignored.
4. The blade flapping due to cyclic inputs is assumed to occur instantaneously, i.e., the flapping equations assume that the rotor is in an equilibrium condition. This assumption was made because of limits imposed by the computation time of the simulation computer. Differential equations for blade flapping that would properly account for the rotor following time were determined to require a solution time in excess of that allowable for real time simulation. Furthermore, there is a transport lag, between the time that a control input is made at the simulator cab and the time that an aircraft response is updated at the cab (by the motion and visual systems), of from one to two frame times. By neglecting the rotor following time in the equation of motion, this transport lag is approximated by the cab-control input to computer time lag; for example, in hover, the rotor following time is 0.08 sec compared to an average computational lag time of at least as much as 0.075 sec using the Sigma 8 computer with the VMS located at NASA ARC.

5. Blade stall and compressibility effects are approximated by limiting the maximum rotor thrust coefficient as a function of advance ratio and by arbitrarily modifying coefficients in the rotor power required equation (i.e., rotor profile drag is increased as a function of the cubes of the rotor inflow and advance ratios multiplied by empirically adjusted coefficients).

## 2. Rotor-Induced Velocity

The rotor-induced velocity is computed by calculating the induced velocity of an isolated, out-of-ground effect rotor and then modifying the induced velocity to account for the side-by-side rotor effect, the tandem rotor effect (in sideward flight), and for operation in ground effect.

The mean value of the isolated, out-of-ground effect rotor-induced velocity is approximated using a modified expression from Ref. 11.

$$v_i = \frac{(\Omega R)C}{\sqrt{0.866\lambda^2 + \mu^2} + \frac{0.6|C_T|^{1.5} (|C_T| - 8/3\lambda|\lambda|)}{(|C| + 8\mu^2)(|C| + 8\lambda^2)}}$$

where  $C = C_T/2B^2$  (the 0.866 factor on  $\lambda^2$  has been added to improve power correlation in hover).

The major assumption made with regard to induced velocity is that it is uniform over the rotor disk. The main effect of this assumption is that lateral flapping is underpredicted in the low-speed helicopter regime ( $\mu = 0.05$  to  $0.2$ ). However, lateral flapping has only a second-order effect on stability and control characteristics in the helicopter mode, so this is not a serious limitation.

The side-by-side rotor effect on the rotor-induced velocity is approximated using an expression derived in Ref. 12.

$$\Delta v_{i_{SS}} = X_{SS} \frac{(\Omega R) C_T}{2B^2 \mu}$$

The factor  $X_{SS}$  is called the mutual induction coefficient, and it is obtained from Fig. 3.7 of Ref. 12. In the determination of  $X_{SS}$ , the increased mass flow of the side-by-side configuration is taken into account, and the rotor wakes are assumed to remain separate if the distance between the rotor centers is greater than the rotor diameter. The value of  $X_{SS}$  depends on the direction of rotation, the distance between the rotors, the advance ratio, and the rotor angle of attack. The value of  $X_{SS}$  given in Ref. 12 is valid for  $\mu$  greater than 0.15. In this analysis, the value of  $X_{SS}$  for  $\mu$  less than 0.15 has been approximated by providing a smooth transition between a value of  $X_{SS}$  equal to zero at  $\mu = 0.06$  and the value at  $\mu = 0.15$ . The term  $\Delta v_{i_{SS}}$  is added to the induced velocity for the isolated rotor during the induced-velocity solution process.

The added induced-velocity component at the trailing rotor of the tilt rotor in sideward flight (the tandem rotor effect) is approximated as a function of the normalized sideward flight velocity ( $\bar{V}$ ). This component,  $\Delta v_{i_{SF}}$ , is then added to the induced velocity for the isolated trailing rotor, along with the value for  $\Delta v_{i_{SS}}$  during the induced-velocity solution process.

The reduction in induced velocity caused by ground effect is computed using an exponential expression

$$\Delta v_{i_{IGE}} = v_{i_{OGE}} [1 + (G-1)(e^W)]$$

where  $G = 1 - \text{GECON1}(e^{\text{GECON2}(h_H/2R)})$  and  $W = \text{GEWASH}(u^2 + v^2)^{1/2}$ . If  $e^W < 0.001$  or  $G > 1$ , then  $G$  is set equal to one. This form of ground effect equation is a variation of an equation derived by Hayden in Ref. 13 and shown in Ref. 6 to provide excellent correlation of the mathematical model with XV-15 flight test data. The factor  $e^W$  washes out exponentially the effect of ground proximity with forward speed. At 30 ft/sec and greater, the effect is completely washed out.



### 3. General Input Data Requirements

The input data requirements for the rotor are described in an organized format on Pages A-5 through A-12 of Appendix A. The majority of the required rotor input data values are geometric constants which are self-explanatory or are rotor- or blade-specific parameters which are configuration dependent [e.g.,  $\delta_3$ , blade inertia ( $I_b$ ), flapping spring rate ( $K_H$ )]. The values for average rotor blade lift-curve slope and drag coefficient,  $a_{0,1,2}$  and  $\delta_{0,1,2}$  respectively, should be iteratively determined using rotor test stand data or other rotor performance programs via correlation with the generic tilt-rotor program output. If this type of approach is not possible, or if data does not exist, then input data values for these parameters should not be input without careful consideration, because it is highly unlikely that any prop-rotor configuration will have average rotor blade aerodynamic characteristics similar to the low twist and usually single airfoil section characteristics of untapered helicopter rotor blades.

Input data requirements for determining side-by-side ( $X_{SS}$ ), tandem rotor ( $X_{SF}$ ), and ground effects are obtained using sources such as those discussed in the previous section. In most cases it would be expected that the input data used for the XV-15 would be appropriate for most tilt-rotor investigations. The values for  $X_{SS}$  and  $X_{SF}$  are obtained from data tables in the simulation computer program (plotted in Figs. 2 and 3); whereas, the coefficients for the ground effect equation (GECON1 and GECON2) were iteratively determined by curve fitting data (originally presented in Ref. 14) and then correlating with XV-15 flight test data (Fig. 4 from Ref. 6).

Input data values for Mach number effects and induced-velocity coefficients have been determined from experience and correlation with XV-15 wind-tunnel and flight-test data. Unless specific knowledge about rotor characteristics unquestionably indicates that a change is needed in one of these parameters, it is recommended that XV-15 values be used.

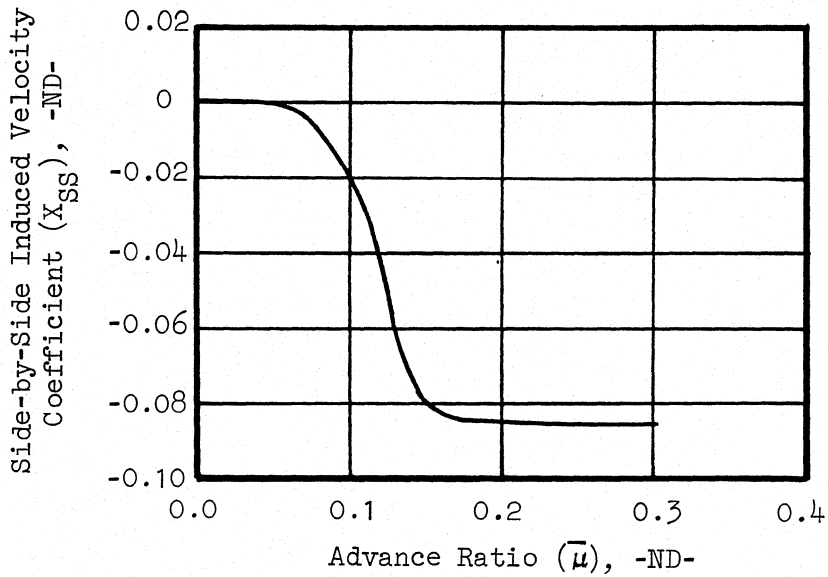


Figure 2. Side-by-Side Rotor Effect on Induced Velocity

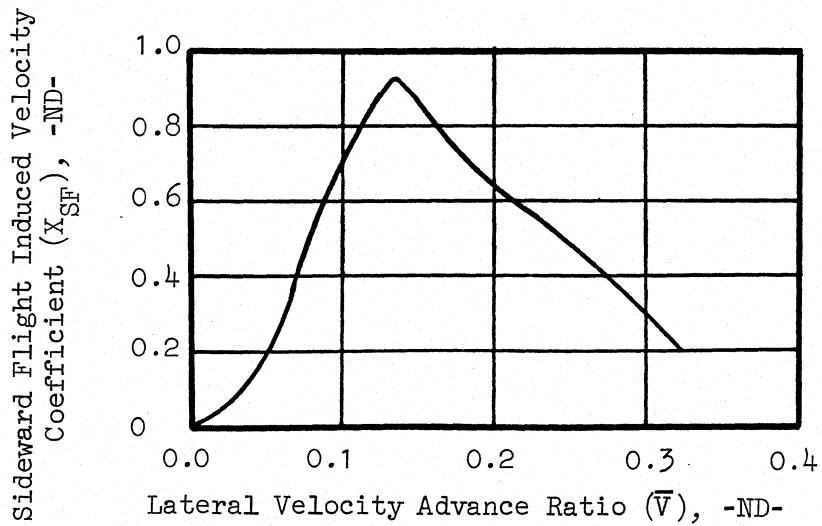


Figure 3. Sideward Flight Rotor Effects on Induced Velocity

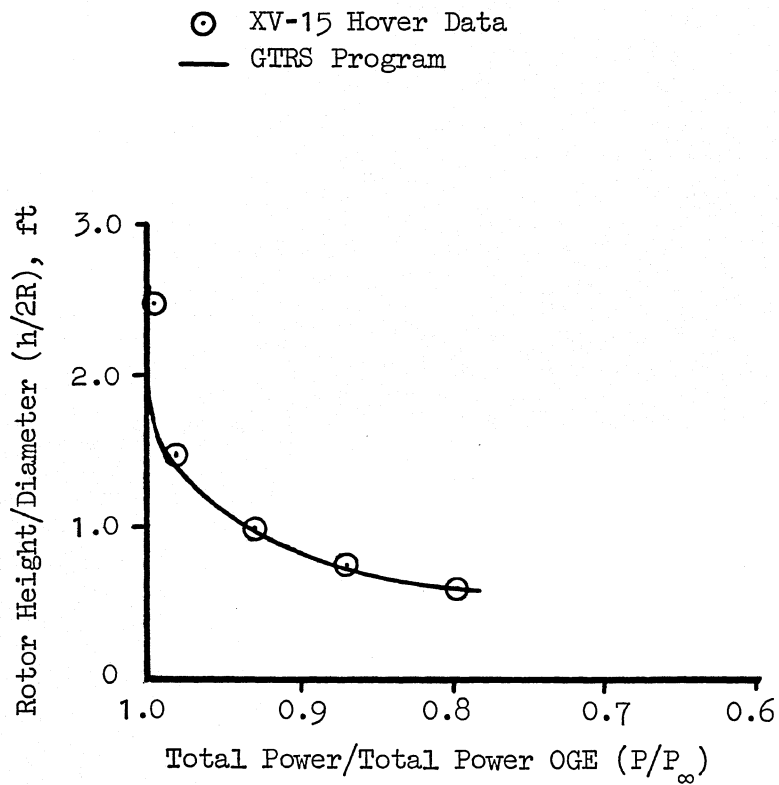


Figure 4. Effect of Ground Proximity on Hover Power Required

The tables provided for setting an upper bound limit on usable rotor thrust coefficient  $\overline{C}_T$  are defined as a function of  $\mu$  and  $\beta_m$ . These tables can be modified from the XV-15 values based upon either analytical or rotor test data from the rotor which is to be simulated. For simulated flight conditions not requiring high thrust, e.g., high-g maneuvers, these tables have no effect on the calculated results and would not be in need of modification.

**B. SUBSYSTEM 2: ROTOR-INDUCED VELOCITIES  
(ALSO PARTS OF SUBSYSTEMS 4, 5, 6, AND 14)**

The rotor wake-airframe aerodynamic interferences (or rotor-induced velocities) represented in the generic tilt-rotor mathematical model consist of three parts:

1. The effect of the rotor wakes on the wing lift and drag.
2. The effect of the rotor wakes on the horizontal stabilizer and vertical fin lift and drag.
3. The effect of the rotor wake-airframe-ground interaction in producing net rolling moment and pitching moment effects when hovering near the ground.

**1. Model Structure**

The calculation of the wing aerodynamic forces and moments due to rotor wake effects is made separately from the forces and moments generated by the freestream flow. The calculation of the rotor wake effect involves calculating the area, angle of attack, and dynamic pressure of the portion of the wing immersed in the wake. Figure A4-1 (in Appendix A) illustrates the representation of this effect.

The area of the wing immersed in the rotor wake,  $S_{iW}$  (shown in Fig. A4-1) is computed as a function of wake radius, conversion angle, wake angle of attack, and sideslip angle of the fuselage. The expression used to compute the wake radius of a hovering rotor as a function of vertical distance from the rotor disk is derived in Ref. 15. Experimental

data also show that the contracted wake remains stable as it reaches the wing and horizontal stabilizer surfaces. Therefore, the equation for the wake radius (Eq. 3 of Ref. 15) has been simplified, since the wing and stabilizer surfaces are located at approximately 0.4 R below the rotor disk.

$$R_w = R\{0.78 + 0.22 \text{ Exp} [-(0.3 + 2Z \sqrt{C_{RF}} + 60 C_{RF})]\}$$

The rotor-induced velocity at the wing varies with speed and mast tilt and is given by the following expression:

$$w_i \Big|_{R/W} = (K_0 + K_1 \mu + K_2 \mu^2 + K_3 \lambda + K_4 \lambda^2)(w_i)$$

where the constants  $K_{0-4}$  are determined from powered rotor test data. Wing loads at high negative incidences caused by the rotor wake at low speeds are determined using lift and drag coefficient data tables that are defined up to angles of attack of  $\pm 90$  deg. Asymmetric flight at low speeds, which causes unequal portions of the left and right wing to be affected by the left and right rotor wakes and which generates roll and yaw moments, is also taken into account.

The induced velocity at the horizontal stabilizer and the vertical fins (a function of airspeed and mast angle) is determined by first calculating the rotor-induced velocity for trimmed flight and then correcting it for angle of attack and sideslip from data tables based upon wind-tunnel data. The values calculated are assumed to be constant across the empennage for the analysis.

When hovering in ground effect ( $h/D < 2.0$ ), both an unstable rolling moment and a pitching moment are generated by aerodynamic interaction between the rotor wake, fuselage, wing, horizontal stabilizer, and the ground. The rolling moment effect is represented in the mathematical model by a polynomial equation for the rolling moment as a function of  $h/d$

and then applied at the aircraft center of gravity. The in-ground effect pitching moment is modeled as an exponential function of rotor thrust, rotor hub height above the ground, and airspeed; and the pitching moment is applied at the aircraft center of gravity. The decision to model this effect was made following an evaluation of pilot comments and flight test data first presented in Ref. 6 and later in Ref. 16.

## 2. Input Data Requirements

The details of the input data requirements are listed on Pages A-34 through A-37 of Appendix A. The coefficients  $K_{0,1,2,3,4}$  are determined from powered-model wind-tunnel data. The rotor-induced velocity at the horizontal stabilizer and vertical fins is also based on powered-model wind-tunnel data. The velocity induced at the tail by the rotors was derived for the XV-15 by analysis of pitching moment data with the tail ON and OFF as well as with and without the rotors (Refs. 17 and 18). Data generated by this method should look similar to the XV-15 data for  $\beta_m = 0$  deg presented in Fig. 5, which is plotted from Appendix B, Table 2-Ia on Page B-22. (Data for  $\beta_m$  values other than 0 deg are not plotted but are contained in the tables.) Further corrections to data from these tables (which are corrections for angle of attack) are made for sideslip from Table 2-II.

The data used to fit the polynomial equation for the rolling moment data was measured using a 0.2 scale powered XV-15 wind-tunnel model (Ref. 17). This data is shown plotted in Fig. 6. The data used to fit the in-ground effect pitching moment equation is based on flight test data from Refs. 14 and 16, which is presented in Fig. 7, and compared with the simulation results using the GTRS program.

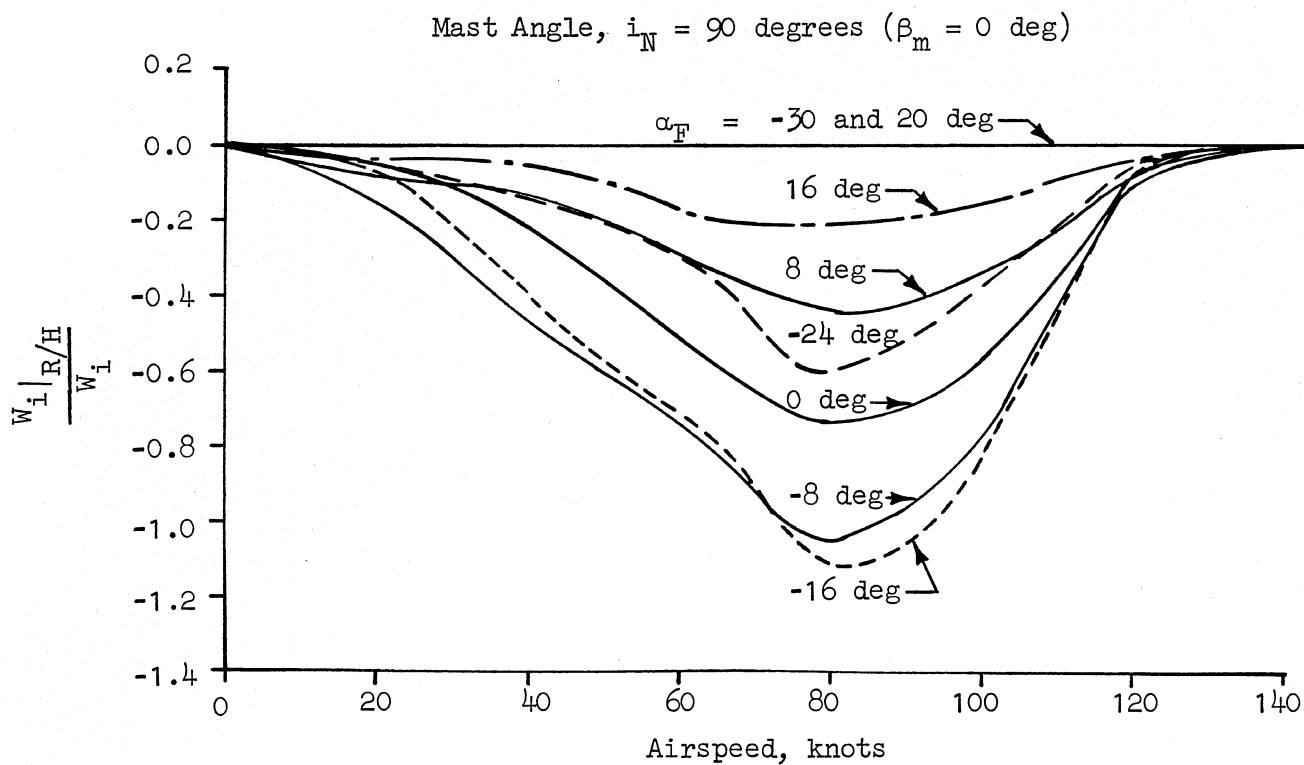


Figure 5. Rotor Wake On the Horizontal Stabilizer as a Function of Airspeed at a Nacelle Incidence of 90 Degrees

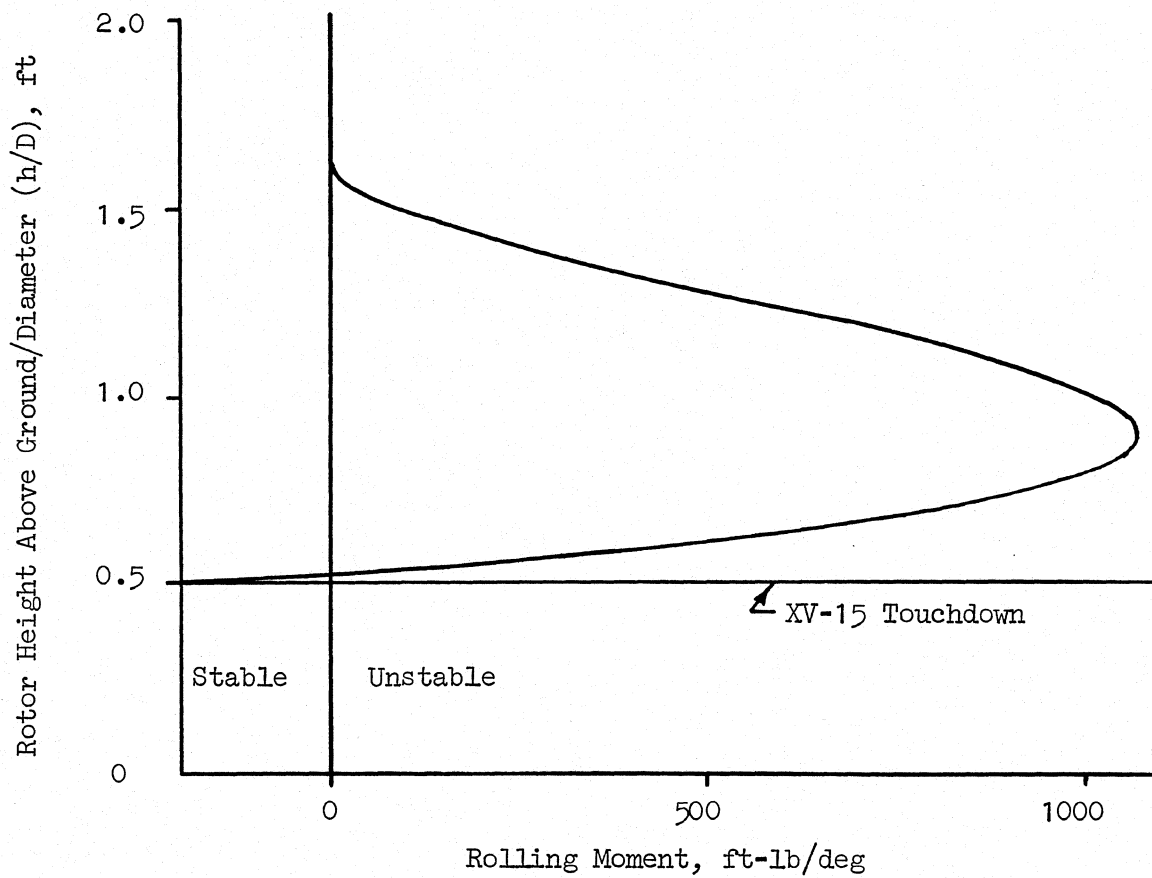


Figure 6. Representation of In-Ground Effect Rolling Moment



○ Flight Data (Ref. 14)

● GTRS Data

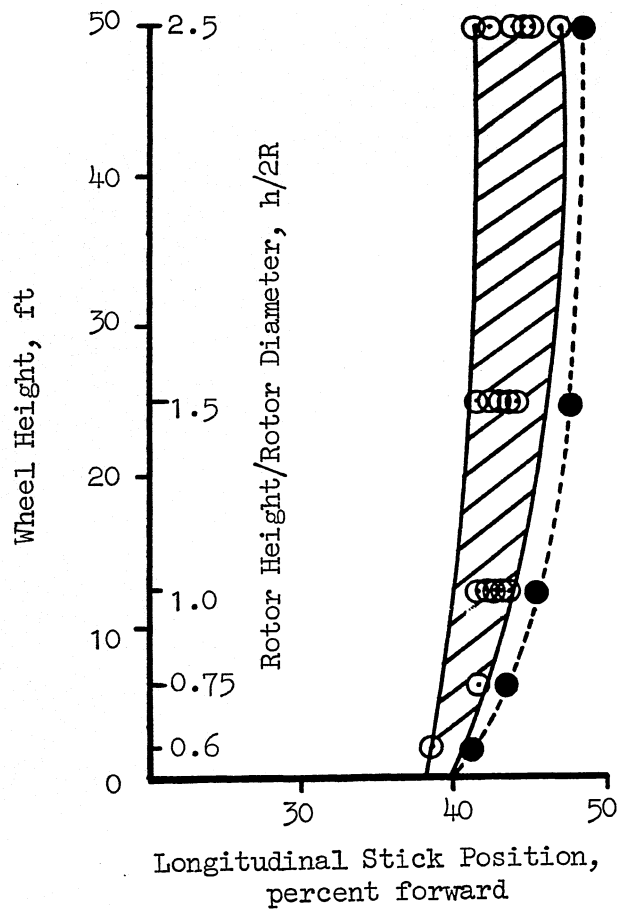


Figure 7. The Effect of Hover Height on Longitudinal Stick Position

## C. SUBSYSTEM 3: FUSELAGE AERODYNAMICS

### 1. Model Structure

The fuselage, wing-pylon assembly, horizontal tail, and vertical fins are modeled separately in order to facilitate accounting for the influence of the rotor wake on the airframe aerodynamics. Equations for the fuselage lift, drag, side force, pitching moment, yawing moment, and rolling moment are referenced to the wind-axis system and defined at the input fuselage center of pressure. Aircraft angular rates as well as the rotor wakes are neglected in calculating the fuselage aerodynamic forces and moments.

### 2. Input Data Requirements

In general, the wind-axis airframe aerodynamics are extracted from wind tunnel test data. For the XV-15, this data is tabulated in Appendix B on Pages B-26 through B-30. Where wind tunnel data was not available for the XV-15, characteristics were estimated using Refs. 19, 20, and 21. [For the XV-15, the coefficients in the equations for angles of attack and sideslip less than or equal to 20 deg are based on wind-tunnel data. For angles of attack greater than 20 deg, the coefficients have been approximated.] The values for the constants LBFO, DBFO, and MBFO are the same values as those in the data tables at  $\alpha_F = \beta_F = 0$  and must be subtracted out. Otherwise, the equations would add the respective numbers together twice (once from each of the  $\alpha_F$  and  $\beta_F$  tables), thereby resulting in double the actual value being used in calculations.

## D. SUBSYSTEM 4: WING-PYLON AERODYNAMICS

### 1. Model Structure

The wing-pylon aerodynamic forces and moments are defined in the local wind-axis system. Wing-body interference effects are included in the aerodynamic data.

Calculation of the wing aerodynamic forces and moments is made up of two parts: the first part is composed of the part of the wing which is influenced by the rotor wakes, and the second part, that which is influenced by only the free stream flow. The mathematical model and all sign conventions are described and flow charted in Appendix A or in the previous section of text (Subsystem 2).

The wing-pylon lift and drag generated by the free stream flow are functions of angle of attack, conversion angle, flap setting, and Mach number. The pitching moment is a function of flap setting.

The wing lateral-directional aerodynamic forces and moments are calculated using equations for stability derivatives from Ref. 19. Compressibility effects and the wing loading are included in the lateral-directional characteristics.

Wing-pylon lift and drag coefficients are provided for mast angles of 0 deg and 90 deg and for four flap settings. Coefficients for intermediate mast angles and flap settings are obtained by interpolation. Mach number corrections are made only for the flaps-up airplane mode configuration.

The angle of attack of the wing is also modified in order to reflect the induction effect of the thrusting rotors. The expression for the wing angle of attack is:

$$\alpha_W = \alpha_F - KXRW (x_{R/W}) \left[ \frac{C_{RFR} + C_{RFL}}{\text{MAX}^2(\mu, 0.15)} \right] (57.3)$$

where  $x_{R/W}$ , the induction coefficient, is a function of the distance between the rotor and the wing and of mast angle; and  $C_{RFR,L}$  are the non-dimensionalized rotor force coefficients for the right and left rotors.

## 2. Input Data Requirements

The wing subsystem requires more data input than any other section of the GTRS model. A detailed listing of the input data requirements is provided on Pages A-45 through A-56 in Appendix A. Constants and many of the coefficients listed on Pages A-45 and A-46 are either wing geometric values or can be calculated using Ref. 19. (Other sources for calculation of wing lateral-directional stability derivatives should also be acceptable). Values for calculation of the constants in the equation for the rotor flow field effects on angle of attack are for the XV-15 and, in general, should be applicable for other tilt-rotor configurations similar to the XV-15. The constants in the rotor downwash/wing equations for flap effects are based on wind-tunnel or flight-test data and are used to adjust wing download as a function of flap setting. The spinner drag coefficients were determined for the XV-15 from wind-tunnel test data of the full scale XV-15 rotor and pylon (shown in Ref. 20). Values for the pylon interference drag were determined for the XV-15 from flight-test data and were a correction or addition to the model in order to account for extra drag due to wing-pylon interference. Significant differences exist between the "smooth and clean" skin surfaces of the wing tip and the inside surface of the pylon for the XV-15 wind tunnel model and the surfaces around the XV-15 wing-pylon interface. (These differences can easily be seen in a photograph of the XV-15 in helicopter flight.) This input variable will probably not be obtainable from wind-tunnel data, since the pylon drag will normally be included with the wing drag and input into the wing-pylon tables described in this model. However, in evaluating a tilt-rotor configuration using this program, it would nevertheless be advisable to use XV-15 input data as a minimum if flight-test data cannot be obtained. The effect of this parameter can be significant in the deceleration of the tilt rotor during reconversion to helicopter mode and is noticeable by pilots in a manned simulation environment.

Coefficients for wing lift, drag, and pitching moment should be obtained whenever possible through use of wind-tunnel testing. The XV-15 aerodynamic coefficients which are supplied in Appendix B (Pages B-31

through B-55) are based on wind-tunnel data for angles of attack up to stall. At angles of attack above stall, the coefficients are approximated based on the test data presented in Ref. 21. Examples of how data should look for wing lift and drag for the flap/flaperon settings of 0/0 and 40/25 deg are presented in Figs. 8 through 13. The dihedral effect of the wing-pylon is based on wind-tunnel test data and is a function of angle of attack and flap setting as well as sideslip. The aileron effectiveness and yawing moment coefficients are also based on wind-tunnel data (or in some cases may have to be calculated) and are a function of angle of attack, mast angle, and flaperon deflection.

The wake deflection or downwash at the empennage due to the wing-pylon for the XV-15 is determined from wind-tunnel data for angles of attack up to stall. Above wing stall, the downwash is approximated using data for the high wing-low tail configuration given in Ref. 22. Figure 14 presents example data for the XV-15 for two flap/flaperon positions at two mast angles (helicopter and airplane). The downwash at the empennage due to the rotor wake is discussed in a previous section.

## **E. SUBSYSTEM 5: HORIZONTAL STABILIZER AERODYNAMICS**

### **1. Model Structure**

Detailed input data requirements for the horizontal stabilizer model are described on Pages A-78 through A-82 in Appendix A. The dynamic pressure and angle of attack calculations for the horizontal stabilizer model, as shown in Fig. A5-1, take into account wing-body blockage, mast angle, the wing-pylon wake, the rotor wake, and the fuselage attitude and angular velocities.

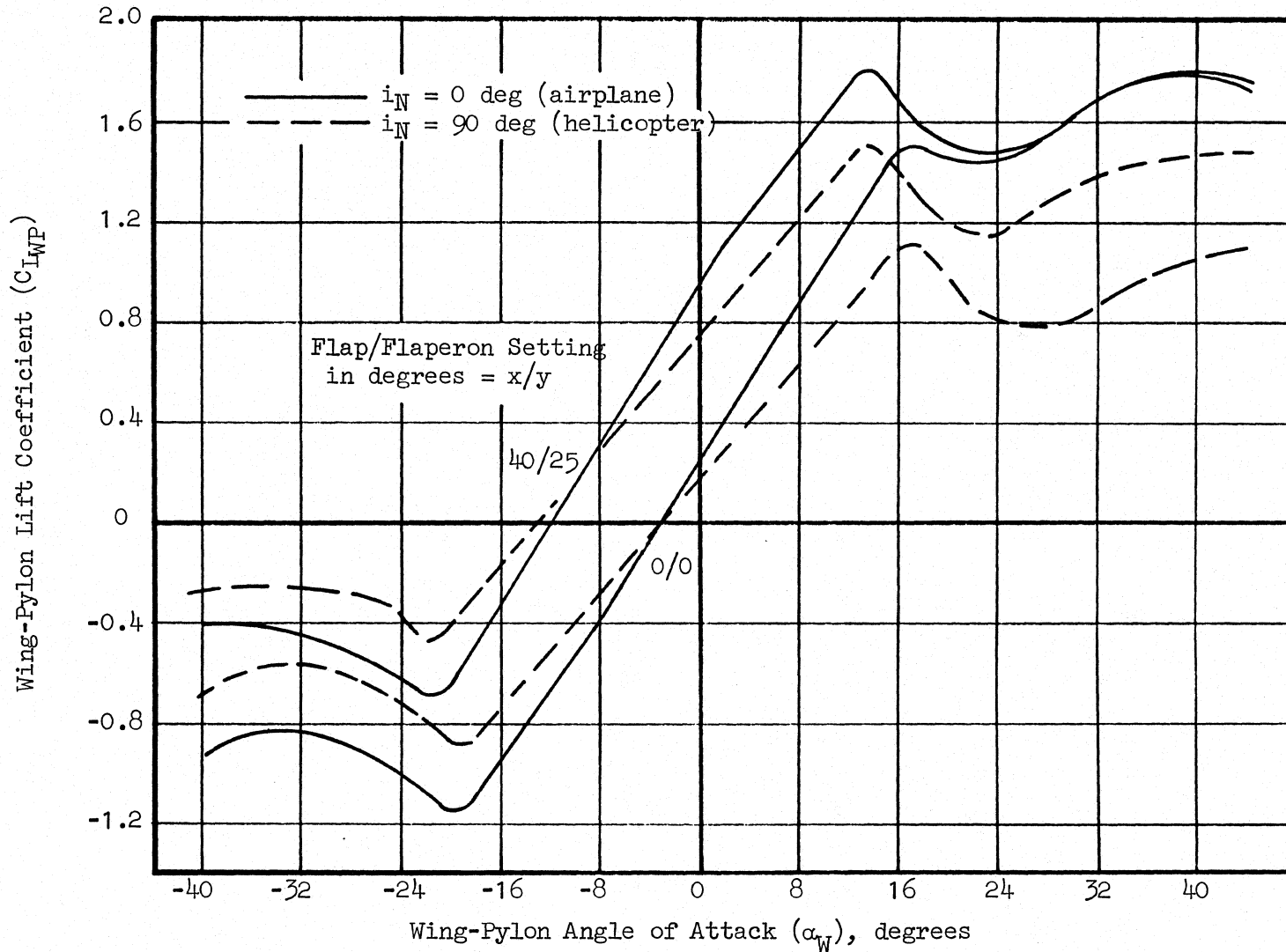


Figure 8. Wing-Pylon Lift Coefficient Versus Angle of Attack for Flap/Flaperon Settings of 0/0 and 40/25 Degrees

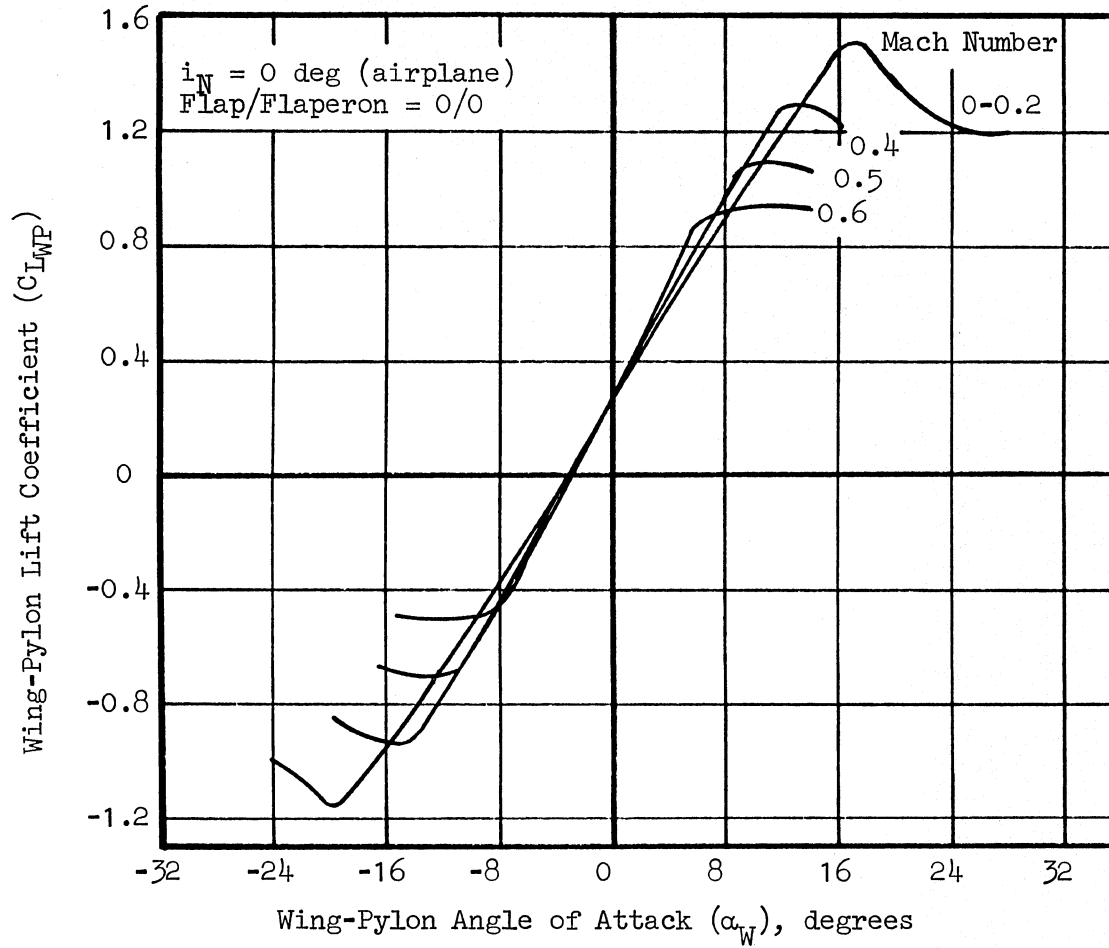


Figure 9 . Wing-Pylon Lift Coefficient Corrections Due to Compresibility

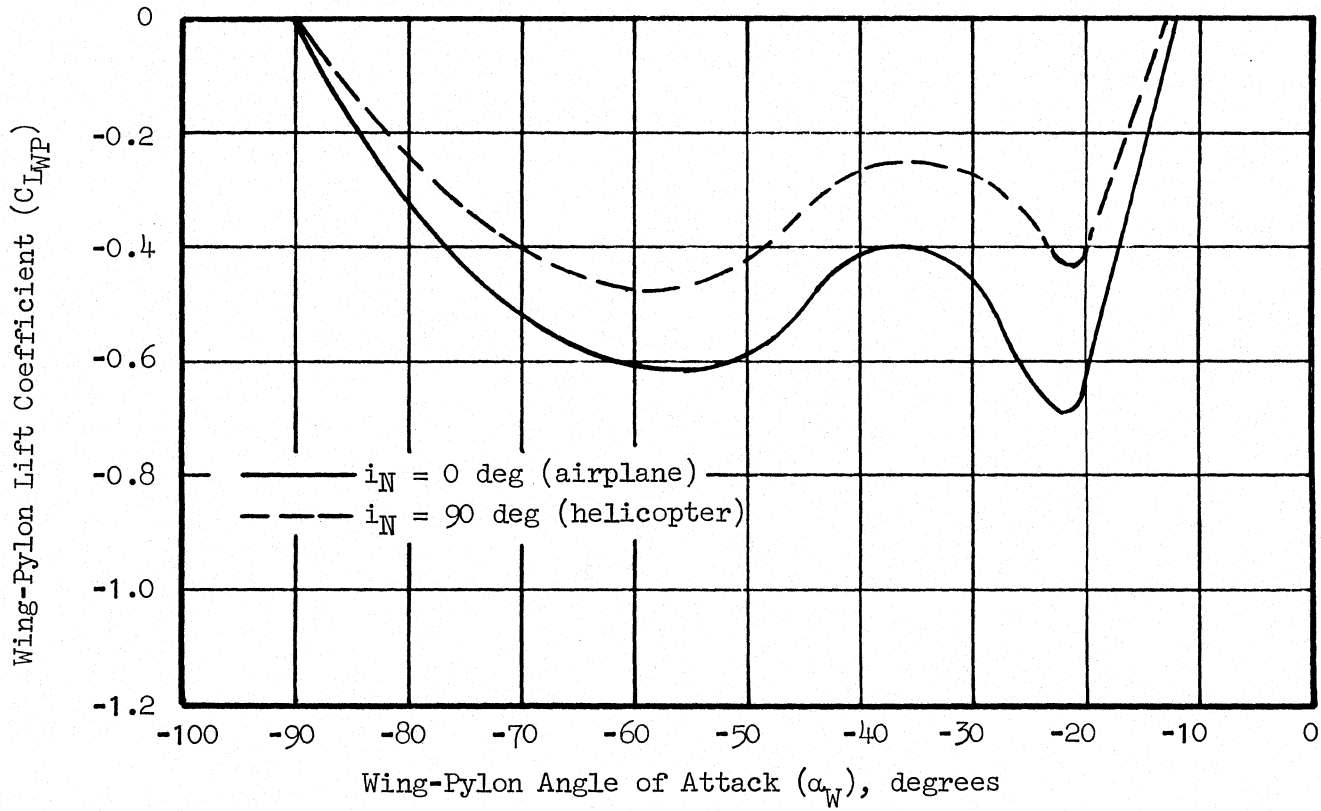


Figure 10. Wing-Pylon Lift Coefficient at Large Negative Angles of Attack for a Flap/Flaperon Setting of 40/25 Degrees



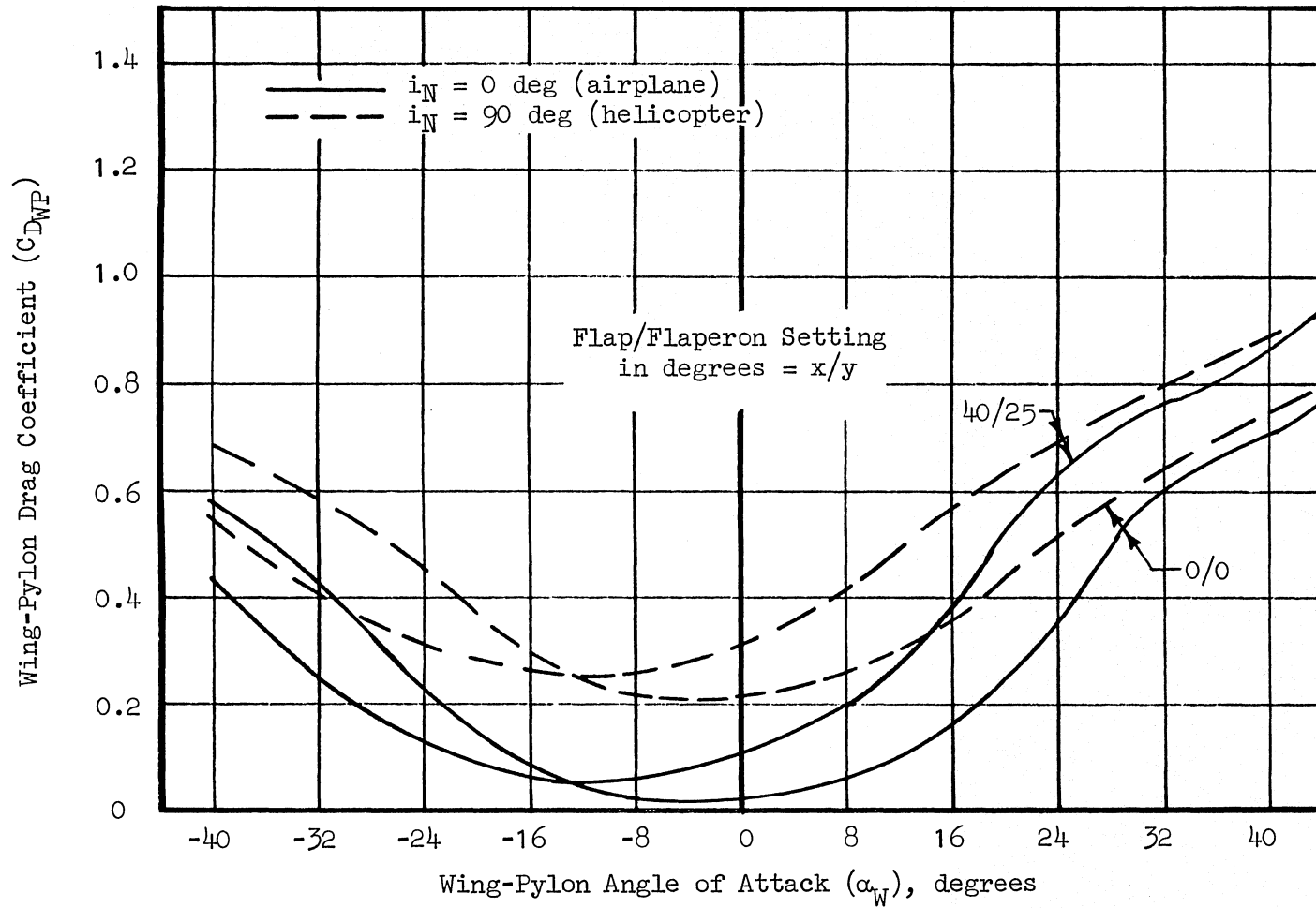


Figure 11. Wing-Pylon Drag Coefficient Versus Angle of Attack for Flap/Flaperon Settings of 0/0 and 40/25 Degrees

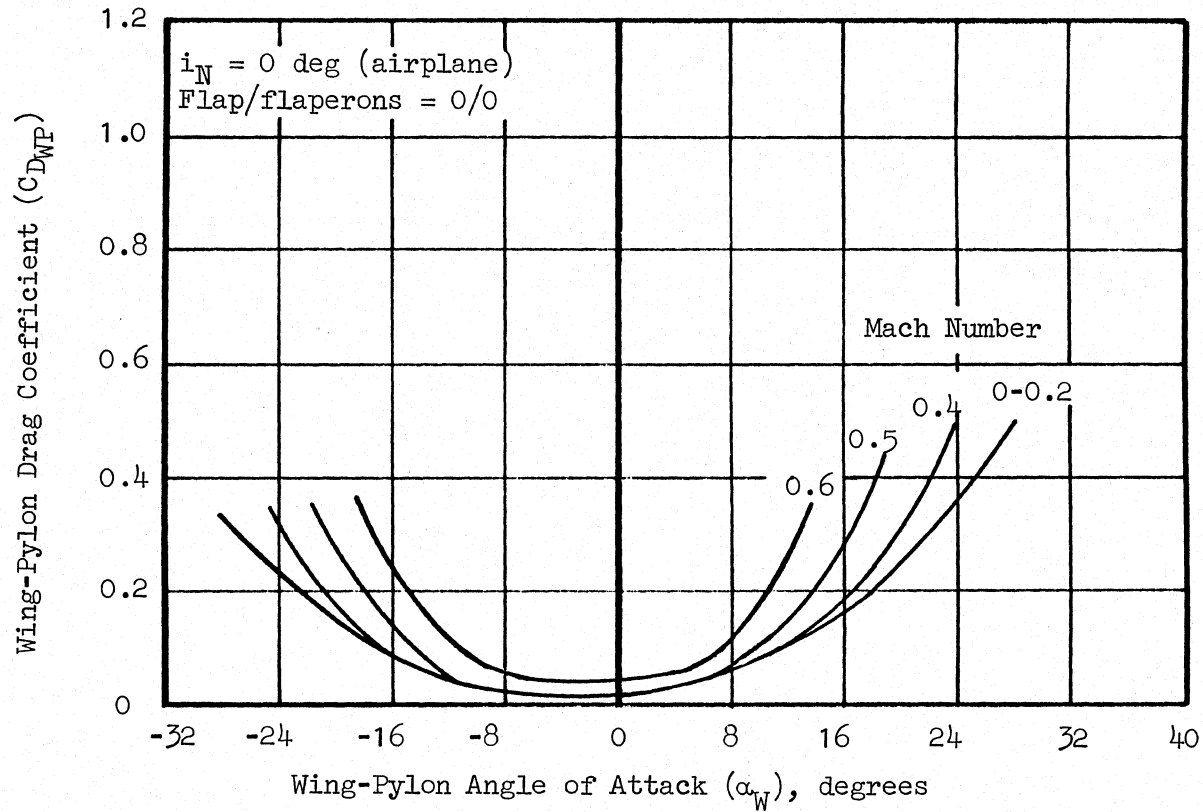


Figure 12. Wing-Pylon Drag Coefficient Corrections Due to Compressibility

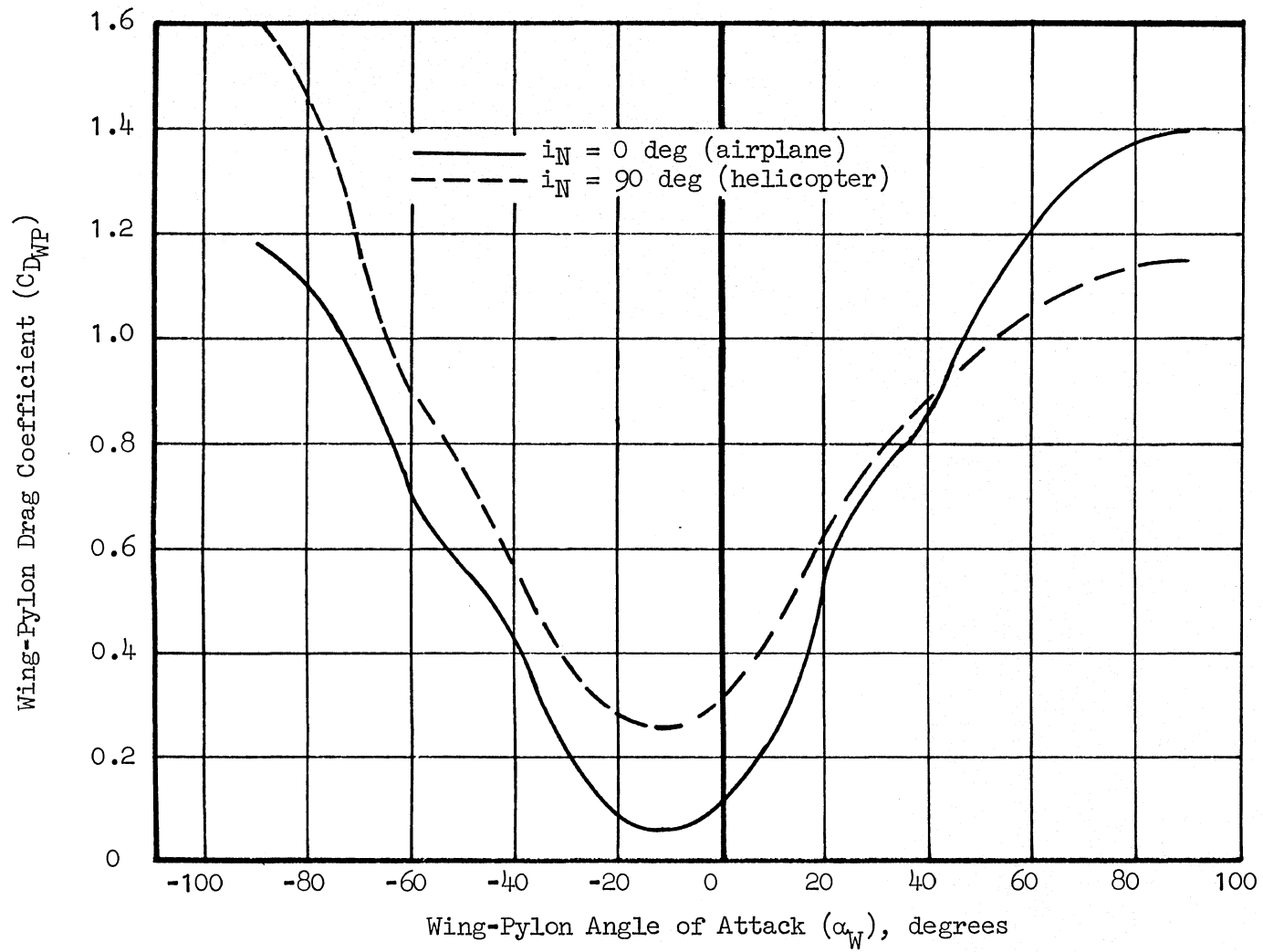


Figure 13. Wing-Pylon Drag Coefficient at Large Negative Angles of Attack for a Flap/Flaperon Setting of 40/25 Degrees

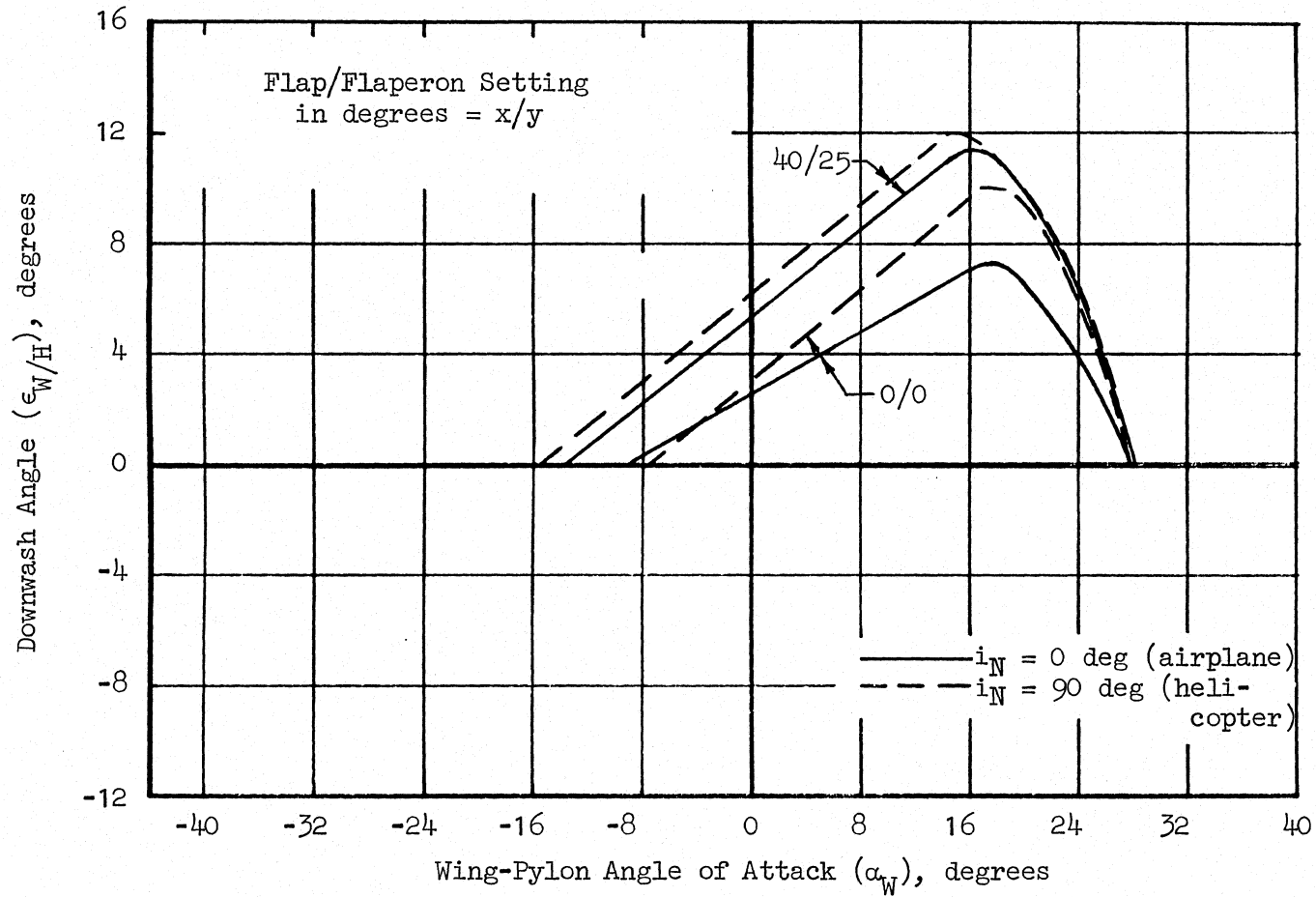


Figure 14. Wing-Pylon Wake Deflection (Downwash) at the Horizontal Stabilizer For Flap/Flaperon Settings of 0/0 and 40/25 Degrees

## 2. Input Data Requirements

The constants required for the horizontal stabilizer model on Page A-79 are geometric in nature and are a function of the empennage configuration of interest. The value(s) for elevator effectiveness ( $\tau_e$ ) can be measured both from a wind-tunnel model (Ref. 23) or from sources such as Ref. 19. Data table input allows for further correction due to Mach number effects. The values for change in horizontal stabilizer lift coefficient  $C_{L_{H\beta}}$  with sideslip and pitching moment are best determined from sources such as Ref. 19. The horizontal stabilizer dynamic pressure loss multiplier (KHNU) is included in the model for the purpose of providing a simple term to provide the capability to account for the dynamic pressure loss if detailed wind-tunnel data is not available for mapping empennage dynamic pressure losses as a function of angle of attack, sideslip, and airspeed. If this type of data is available, it can be entered as data tables as described on Page A-79 and tabulated on Pages B-65 through B-68.

The lift and drag coefficients for the horizontal stabilizer should be determined from wind-tunnel test data for angles of attack up to stall whenever possible. Examples of the data requirement, as measured for the XV-15 are presented in Figs. 15 and 16. Otherwise, sources such as Ref. 19 can be used to compute these coefficients. Above stall, the coefficients can be approximated using data from Ref. 21.

## F. SUBSYSTEM 6: VERTICAL STABILIZER AERODYNAMICS

### 1. Model Structure

The GTRS model assumes an H-tail vertical fin configuration like the XV-15, and the forces and moments on the left and right fins are computed separately in order to account for the variation in rotor wake effects with sideslip. The dynamic pressure and angle of attack at the fins, as shown in Fig. A6-1, take into account the wing-body blockage, mast angle,

Figure From Ref. 1

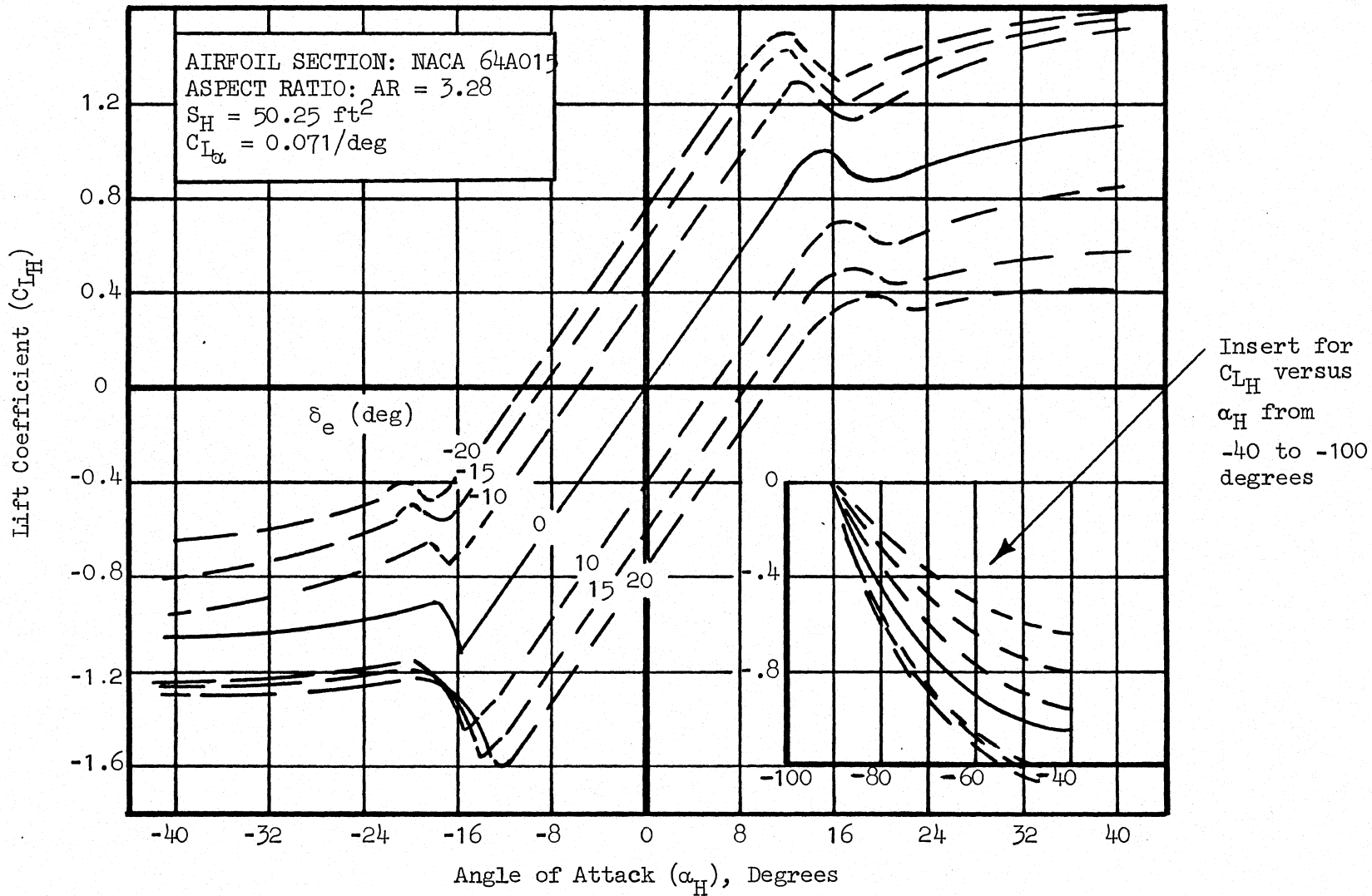


Figure 15. Horizontal Stabilizer Lift Coefficient Versus Angle of Attack

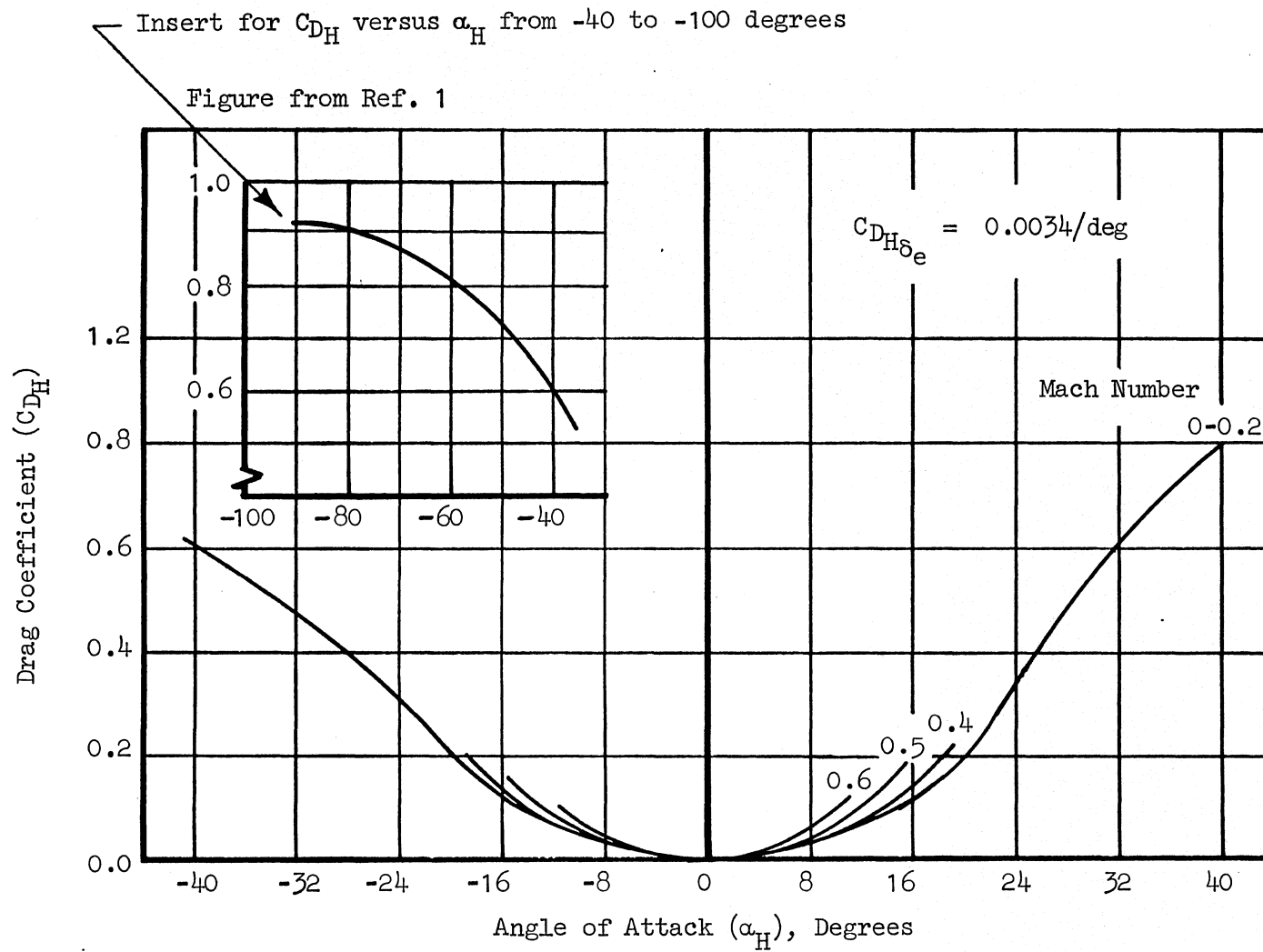


Figure 16. Horizontal Stabilizer Drag Coefficient Versus Angle of Attack

wing-pylon wake, rotor wake, and fuselage attitude and angular velocities. Detailed input data requirements for the vertical stabilizers are described on Pages A-89 through A-94 in Appendix A.

## 2. Input Data Requirements

The constants required are generally geometric in nature and are a function of the empennage configuration of interest. The rudder effectiveness factors ( $\tau_r$  and  $K_r$ ) can be measured both from a wind-tunnel model (i.e., Ref. 23) or from sources such as Ref. 19. The roll and yaw rate correction coefficients which are a function of sideslip angle are determined from sources such as Ref. 19. The vertical fin dynamic pressure loss multiplier ( $K_{UNU}$ ) is included for the same general reason as was the horizontal stabilizer coefficient ( $K_{HNU}$ ).

The lift and drag coefficients of the fins should be determined from wind-tunnel data for angles of attack up to stall whenever possible. Examples of the data requirements, as measured for the XV-15, are presented in Figs. 17 and 18. Otherwise, sources such as Ref. 19 can be used to compute these coefficients. Above stall, the coefficients are approximated using data from Ref. 21. The fuselage sidewash factor ( $1-\partial\sigma/\partial\beta$ ) at the fins is a function of flap setting, mast angle, fuselage angle of attack, and sideslip angle. The rotor sidewash factor ( $K_{\beta R}$ ) is a function of the sideslip angle of the fin and the forward airspeed. Both of these groups of tables are best determined from powered model wind-tunnel data. If wind-tunnel data are not available, careful attention should be given to calculation of these parameters, or the XV-15 data values should be used.



Figure From Ref. 1

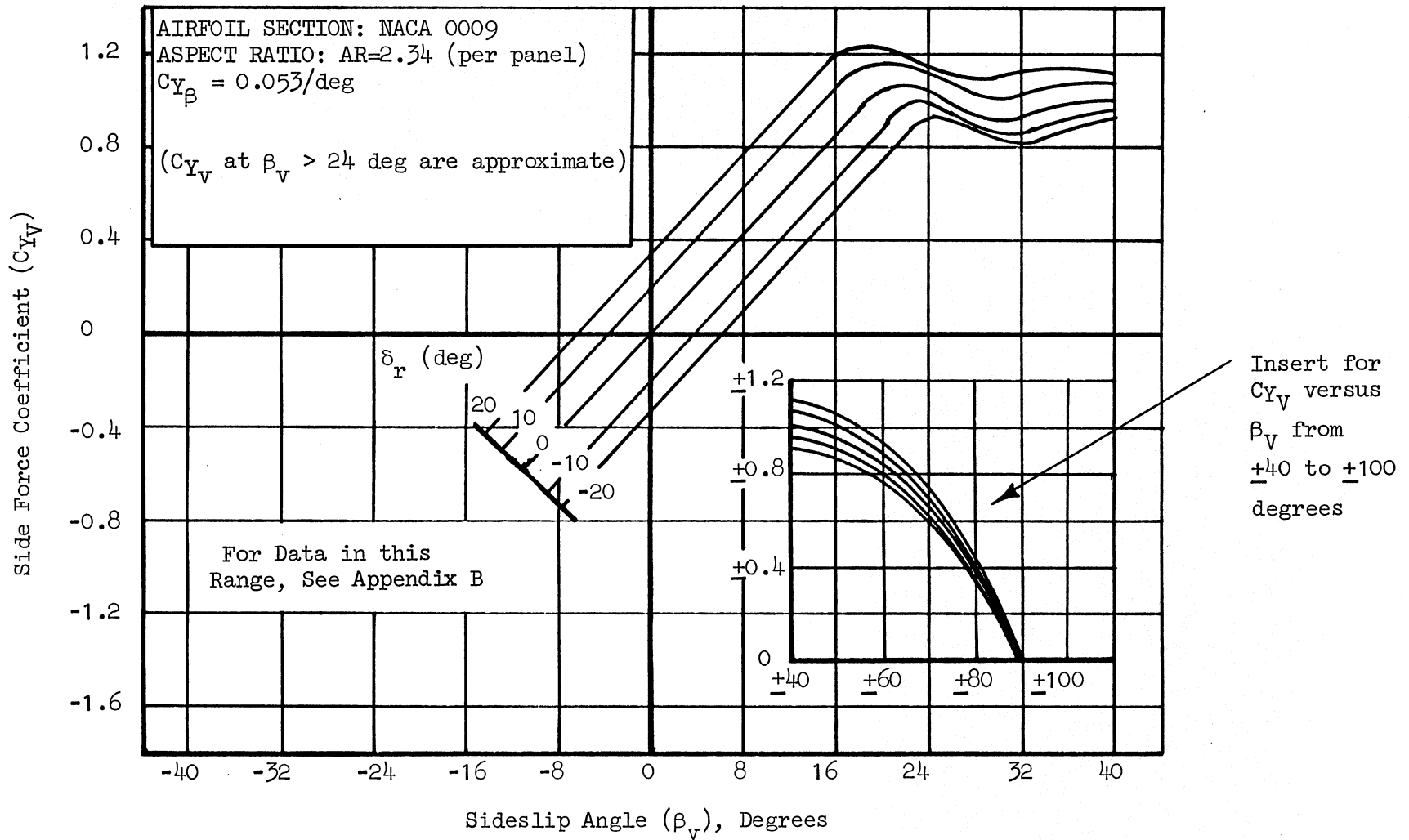


Figure 17. Vertical Stabilizer Side Force Coefficient Versus Sideslip Angle

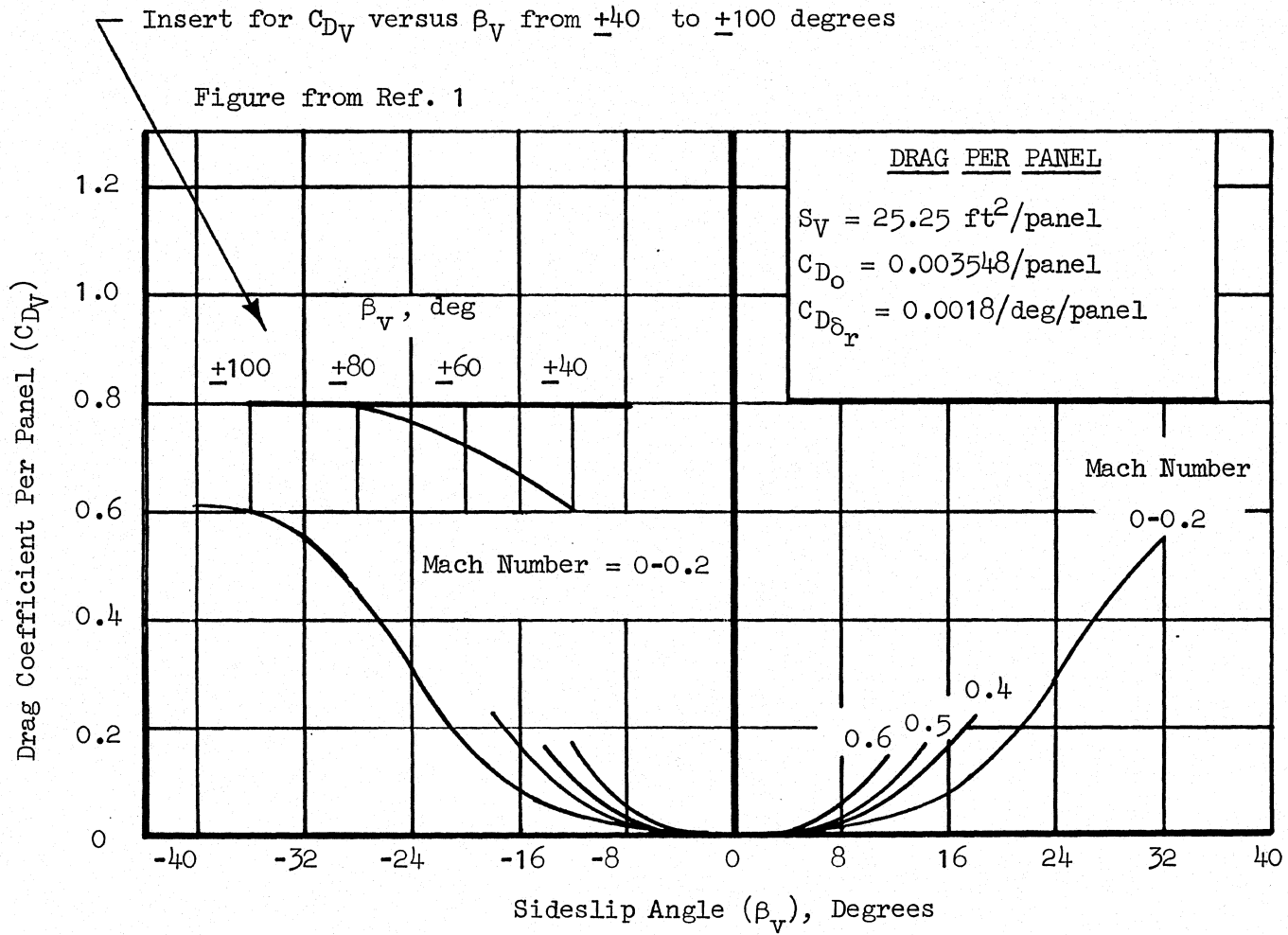


Figure 18. Vertical Stabilizer Drag Coefficient Versus Sideslip Angle

## **G. SUBSYSTEM 7: LANDING GEAR**

### **1. Model Structure**

Two landing gear model structures are presented in Pages A-103 through A-122 of Appendix A; however, only the Subsystem 7A structure has been used for real-time simulation purposes due to computer cycle time limitations which have resulted in landing gear modeling instabilities (the model is derived from Ref. 24). Use of the Subsystem 7A model structure requires careful tuning at NASA ARC; therefore, the input data provided for the XV-15 is for reference only, since it "works" for the XV-15. Any modeling of another tilt rotor would probably require modification to these coefficients. Therefore, a detailed discussion on most of the actual landing gear coefficients is not really useful.

### **2. Input Data Requirements**

Most of the constants, as described on pages A-103 and A-104 of Appendix A, are geometric in nature and are primarily of value (especially in the batch version of the GTRS program) for computation of the location of landing gear drag. Both landing gear drag and landing gear pod drag are best determined from wind-tunnel data; however, numerous references exist (e.g., Ref. 25) which do provide guidance on landing gear drag for extended landing gear. Data for drag is input as a function of the percent of gear extension or retraction which, in turn, is a function of the "time" required for the landing gear to cycle up or down following the pilot's command to cycle the landing gear.

## **H. SUBSYSTEM 8: CONTROL SYSTEM**

### **1. Model Structure**

The control system mathematical model consists of a controls mixing model and a force gradient model. Details of the XV-15 control system are presented on Pages A-123 through A-164 of Appendix A. The flight control

system is illustrated schematically, and sign conventions are presented in Figs. A8a-1 and A8a-2, respectively. The mathematical model of the control system contains mixing for the pilot and automatic flight control system inputs, washout of the rotor controls as a function of mast angle and airspeed, and conversion, landing gear, and flap controls. The mathematical model does not include friction or free play, and the time constants of the control actuators are assumed zero, since, in practice, they are less than the computer frame time. This assumption was tested in a simulation of the XV-15, and results presented in Ref. 6 confirmed the assumption.

The pedal and cyclic stick longitudinal and lateral gradients are specified as a function of airspeed. The location of the gradient detent (zero force position) may be moved by the pilot in order to trim out steady stick forces.

## **2. Input Data Requirements**

Input data requirements, such as the control system gearing and control system limits, are generally self-explanatory as described and discussed in Appendix A. The force feel system, the control force trim system, and the pilot's control functions, as described in Subsystems 8b, 8c, and 8d, respectively, are only applicable to the NASA ARC VMS simulation version of the mathematical model. Therefore, further discussion on the control system is thought to be unwarranted, since most researchers will either use the XV-15 control system and the input values as described herein or will design their own control systems for replacement of the XV-15 control system.

### **I. SUBSYSTEM 9: CG AND INERTIA**

The center of gravity and inertia subsystem, described on Pages A-165 through A-171 of Appendix A, provides modeling for the dynamic effects due to pylon acceleration. The changes in center-of-gravity location and inertia due to pylon tilt are also computed. Input data values for the

subsystem are either geometric or are values of inertia which can be calculated or determined from several sources (i.e., Ref. 26).

#### **J. SUBSYSTEMS 10 THROUGH 14: COORDINATE TRANSFORMATIONS AND EQUATIONS OF MOTION**

The equations of motion used to solve for the six-degrees-of-freedom flight path are identical to the ones provided in Ref. 8. The pylon degrees of freedom are neglected, since the wing-pylon natural frequencies are well above the frequency capability of the simulation software and hardware.

Transformation of forces and moments from wind to body axes and from mast to body axes is required for a number of subsystems. These transformations are provided in Subsystems 10a through 10f. Tilt-rotor accelerations, velocities, force and moment calculations, and summations are provided by Subsystems 11, 12, 13, and 14, respectively. Except for Subsystem 14, only tilt-rotor geometric data is required for input. Input data values required for the empirical calculation of the unstable rolling moment and the pitching moment in ground effect were discussed previously in Section B on the rotor-induced velocities.

#### **K. SUBSYSTEM 15: FLIGHT ENVIRONMENT**

The atmospheric model described on Pages A-235 through A-238 of Appendix A is the ICAO standard atmospheric model as described in Ref. 27.

#### **L. SUBSYSTEM 16: PILOT'S INSTRUMENT PANEL**

The pilot's instrument panel, as described in Pages A-239 through A-246 in Appendix A, is the instrument panel which is available at NASA ARC for use in the VMS cab. This instrument panel configuration provides important flight information and, in general, is a functional replica of the instruments of importance on the actual XV-15 instrument panel. Instruments such as radios, navigation aids, flight test instrumentation,

etc., which are not directly related to flying the XV-15, are either simulated by a cardboard replica or are omitted.

## **M. SUBSYSTEM 17: ROTOR COLLECTIVE GOVERNOR**

### **1. Model Structure**

The rotor rpm governor representation, described on Pages A-247 through A-255, consists of a single channel model of the actual flight rpm governor feedback network (Fig. A17-1). In the XV-15, the rotor blade collective pitch is changed so as to maintain constant rpm; the blade pitch is proportional to the integral of the error in rpm (e.g., the difference between the actual and the pilot-selected rpm) so that any steady error is completely washed out. The gain of the integral feedback is very low so that the governor will not destabilize structural modes.

A position gain is used in parallel with the integral gain in order to provide damping to the rotor rotational mode under conditions of low inflow, such as low power descents in the helicopter mode. The position gain is phased out as the pylons are converted to airplane mode in order to prevent destabilizing structural modes.

Control of the rpm governor consists of a thumb-operated, three-position switch spring loaded to center, which is located on the power lever head. Pushing the switch forward increases the reference rpm by 20 rpm for each second that the switch is depressed; pulling aft decreases the reference rpm by 20 rpm/sec. A pointer on the rotor tachometer indicates the selected rpm. This system is modeled in the VMS cab.

### **2. Input Data Requirements**

The input data required by the subsystem and provided in Appendix B is for the XV-15, but it can be changed as desired by the researcher according to the block diagram in Fig. A17-1. At present, this model has been fully incorporated (with failure modes, etc.) and checked out only in the real-time simulation version of the GTRS program and not in the VAX

version. The VAX version contains only a simplified governor for realistically maintaining control of rotor RPM.

## **N. SUBSYSTEMS 18 AND 19: ENGINES, FUEL CONTROLS, AND DRIVE SYSTEM DYNAMICS**

### **1. Model Structure**

The engine, fuel control, and drive system model is described on Pages A-256 through A-271 of Appendix A. The drive system is represented by the zero frequency symmetric mode, e.g., the rotors speed up or slow down in response to the imbalance between aerodynamic torque and engine torque. The frequencies of the flexible modes of the drive system (3.67 cps and 11.8 cps for the first antisymmetric and second symmetric modes, respectively) are too high to significantly influence the simulation.

The engine and power turbine (NII) governor models are composed of equations to calculate engine horsepower during transient and steady-state operation. The equations are based on the operating characteristics of the combined engine-fuel control system. This approach was taken rather than one involving time constants, inertias, and derivation of engine components to minimize the computational requirements.

The engine equations are derived in terms of the optimum power turbine speed and the horsepower developed at that speed. For a given throttle setting (or fuel flow rate), the engine will develop the maximum horsepower if the turbine is operating at the optimum speed. The commanded optimum power--referred to sea level, standard, static conditions--is given by equations presented in Fig. A18-1 where  $K_8$  through  $K_{14}$  are constants derived to fit the engine power versus throttle ( $X_{TH}$ ) setting characteristics given in the engine installation manual (Ref. 28).

The referenced optimum power,  $HP_{RO}$ , at any time,  $t$ , after a power lever change is given by the equation

$$HP_{RO} = (HP_{RO})_0 + \int_{t_0}^t \frac{dHP_{ROP}}{dt} dt$$

where  $(HP_{RO})_0$  is the power before the change in the power lever position and  $(dHP_{ROP})/dt$  is the engine power acceleration schedule given as:

$$\frac{dHP_{ROP}}{dt} = \text{sign}(HP_{ROC} - HP_{RO}) * \min \left\{ 1, \frac{(100)[1 - (HP_{RO}) / (HP_{ROC})]}{\text{pctmxp}} \right\} * f(HP_{RO}, h)$$

where  $f(HP_{RO}, h)$  is the engine power acceleration schedule, derived to correlate with measured engine acceleration characteristics.

The actual horsepower, HP, is then computed by correcting the referred optimum horsepower,  $HP_{RO}$ , for nonstandard conditions using the following equation

$$HP = [HP_{RO} \delta \sqrt{\theta}] \left[ K_1 \left( \frac{9.55 \Omega_{RPT}}{\sqrt{\theta} RPM_{RO}} \right)^2 + K_2 \left( \frac{9.55 \Omega_{RPT}}{\sqrt{\theta} RPM_{RO}} \right) + K_3 \right]$$

where  $K_1$ ,  $K_2$ , and  $K_3$  are constants used to curve fit the power to the engine characteristics given in the installation manual,  $\Omega_R$  is the actual power turbine speed,  $RPM_{RO}$  is the referred optimum power turbine speed, and  $\delta$  and  $\theta$  are terms used to correct for nonstandard pressure and temperature, respectively.

The equations used for the power turbine governor ( $N_{II}$ ) are similar to those for the engine except that the optimum power is referred to the  $N_{II}$  speed commanded by the pilot rather than the throttle setting. It should be noted that in the XV-15, the  $N_{II}$  governing speed is set at that corresponding to the rotor limit speed so that the  $N_{II}$  governor is used only to prevent overspeeding.



## **2. Input Data Requirements**

Input data values provided for use of the engine, fuel control, and drive system are specifically for the T-53-L-11 engine and the XV-15. While some modifications to the input data for the model can be made in order to simulate a "larger" or "smaller" version of the T-53-L-11 engine, any need to simulate a significantly different engine should be accomplished by modifying the model to whatever extent necessary to accurately simulate the new engine instead of trying to change input data values for the model described herein.

### **0. SUBSYSTEM 20: STABILITY AND CONTROL AUGMENTATION SYSTEM (SCAS)**

The SCAS mathematical model consists of a single channel representation of the electronic feedback network. The main feature of the SCAS mathematical model is the representation of the system gains. All gains are functions of pylon angle. The attitude-hold circuit is turned OFF or ON by a switch on the SCAS panel. SCAS actuator characteristics are not modeled; however, total system authorities are used. Simple failures can also be evaluated for the SCAS, even in the VAX version of the program. The decision not to model the actuator characteristics is discussed in more detail in Ref. 6. This evaluation verified that, when these characteristics are modeled, they are more than compensated for by the lag or reduction in bandwidth introduced into the system by the simulation computer cycle time delay.

Two different SCAS models are provided for use with the simulation version of the GTRS mathematical model. These models, the Bell developed S/N 702 model and the NASA ARC developed S/N 703 model (Ref. 29), are described in the block diagrams on Pages A-277 through A-282 of Appendix A. Gains and time constants shown on these block diagrams can be varied as desired by the researcher from those values used with the XV-15 (as tabulated in Appendix B). Presently, only the NASA ARC-developed SCAS is available for use in the VAX version of the GTRS model.



## SECTION IV

### VALIDATION OF THE MATHEMATICAL MODEL

The accuracy of the GTRS mathematical model has been investigated with regard to rotor performance and force characteristics, airframe aerodynamics, rotor wake-airframe aerodynamic interaction, static and dynamic stability characteristics, and control power and damping. The majority of the data used in making this investigation has come from powered model wind-tunnel data, and Ref. 1 describes much of the early work conducted by BHT. Rotor test data has also been used for comparison, where available. Flight test data has been used more recently for correlation and validation efforts, and Refs. 6, 7, 30, and 31 provide correlation results between this version of GTRS and the XV-15. The most complete summary of correlation work accomplished in conjunction with this contract effort is presented in Ref. 7.



## REFERENCES

1. Harendra, P. B., M. M. Joglekar, T. M. Gaffey, and R. L. Marr, V/STOL Tilt Rotor Study-Volume 5: A Mathematical Model for Real Time Flight Simulation of the Bell Model 301 Tilt Rotor Research Aircraft, NASA CR-114614, April 1973.
2. Schramm, M., and L. M. Landry, Jr., IFHC80 XV-15 Tilt Rotor Simulation Users' Manual, Bell Helicopter Company (Draft) Report prepared under Contract NAS2-10349.
3. Schramm, M., and L. M. Landry, Jr., IFHC80 XV-15 Tilt Rotor Simulation Programmer's Manual, Bell Helicopter Company (Draft) Report prepared under Contract NAS2-10349.
4. Hanson, Gregory D., and Samuel W. Ferguson, Generic Tilt-Rotor Simulation (GTRSIM) User's and Programmer's Guide. Volume I: User's Guide, NASA CR-166535, October 1983.
5. Hanson, Gregory D., and Samuel W. Ferguson, Generic Tilt-Rotor Simulation (GTRSIM) User's and Programmer's Guide. Volume II: Programmer's Guide, NASA CR-166535, October 1983.
6. Ferguson, S. W., G. D. Hanson, and G. B. Churchill, "Simulation Validation of the XV-15 Tilt-Rotor Research Aircraft," Preprint No. A-84-40-09-4000 presented at the 40th Annual Forum of the American Helicopter Society, Arlington, Virginia, May 16-18, 1984.
7. Ferguson, Samuel W., Development and Validation of the Generic Tilt-Rotor Simulation (GTRSIM) Program, NASA CR-166537, March 1988.
8. Etkin, B., Dynamics of Flight, John Wiley and Sons, 1959.
9. Gessow, A., and A. Crim, An Extension of Lifting Rotor Theory to Cover Operation at Large Angles of Attack and High Inflow Conditions, NACA TN 2665, April 1952.
10. Castles, W., Jr., and N. New, A Blade Element Analysis for Lifting Rotors That is Applicable for Large Inflow and Blade Angles and Any Reasonable Blade Geometry, NACA TN 2656, 1952.
11. Drees, J. M., "A Theory of Airflow Through Rotors and Its Application to Some Helicopter Problems," The Journal of the Helicopter Association of Great Britain, Vol. 3, No. 2, September 1949.
12. Mil, M. L., et al., Helicopter Calculation and Design. Volume I: Aerodynamics, NASA TTF-494, September 1967.

13. Hayden, James, "The Effect of the Ground on Helicopter Hovering Power Required," Preprint No. 1000 presented at the 32nd Annual Forum of the American Helicopter Society, Washington, D. C., May 1976.
14. Maisel, M., and D. Harris, "Hover Tests of the XV-15 Tilt Rotor Research Aircraft," AIAA Paper No. 81-2501, presented at the 1st AIAA Flight Testing Conference, November 11-13, 1981.
15. Landgrebe, A., An Analytical and Experimental Investigation of Helicopter Rotor Hover Performance and Wake Geometric Characteristics, USAAMRDL TR-71-024, (needs date).
16. Ball, LCDR J.C., and D. A. DuFresne, Shipboard Evaluation of the XV-15 Tilt Rotor Research Aircraft, Naval Air Test Center Technical Report RW-54R-82, April 18, 1983.
17. Marr, R. L., K. W. Sambell, and G. T. Neal, V/STOL Tilt Rotor Study. Volume VI: Hover, Low Speed, and Conversion Tests of a Tilt Rotor Aeroelastic Model, NASA CR-114615, May 1973.
18. Wilson, J., R. Mineck, and C. Freeman, Aerodynamic Characteristics of a Powered Tilt Prop Rotor Wind Tunnel Model, NASA TM X-72818, March 1976.
19. Anon., USAF Stability and Control Datcom, Air Force Flight Dynamics Laboratory, Wright-Patterson Air Force Base, Ohio, October 1960 (Revised September 1970).
20. Marr, R. L., Wind Tunnel Test Results of 25 ft Tilt Rotor During Autorotation, Bell Helicopter Report 301-099-005, NASA CR-137824, February 1, 1976.
21. Knight, Montgomery, and Wenzinger, Carl J., Wind Tunnel Tests on a Series of Wing Models Through a Large Angle of Attack Range. Part I-Force Tests, NACA Report No. 317,
22. Byrnes, A. L., et al., "Effect of Horizontal Stabilizer Vertical Location on the Design of Large Transport Aircraft," Journal of Aircraft, April 1966.
23. Anon., V/STOL Tilt Rotor Research Aircraft. Volume 2: Stability and Control and Handling Qualities Analyses, Bell Helicopter Report 301-199-002, 1973.
24. Stapleford, R. L., W. F. Clement, R. K. Heffley, et al., Flight Control/Flying Qualities Investigation for Lift/Cruise Fan V/STOL. Volume III: Simulation Model, NADC-77143-30, August 1979.

25. Hoerner, Dr.-Ing. S.F., Fluid-Dynamic Drag, published by author, 1958.
26. Lanham, Charles, Inertia Calculation Procedure for Preliminary Design, Aeronautical Systems Division Report, ASD-TR-79-5004, April 1979.
27. Anon., U. S. Standard Atmosphere, 1962, NASA, U. S. Government Printing Office, 1962.
28. Anon., T-53-L-11 Gas Turbine Engine Installation Instructions, Lycoming Report No. 13611.1, August 1966.
29. Churchill, Gary B., and Ronald M. Gerdes, "Advanced AFCS Developments on the XV-15 Tilt Rotor Research Aircraft," Preprint No. A-84-40-10-4000 presented at the 40th Annual Forum of the American Helicopter Society, Arlington, Virginia, May 16-19, 1984.
30. Churchill, Gary B., and Daniel C. Dugan, "Simulation of the XV-15 Tilt Rotor Research Aircraft," NASA TM-84222, USAAVRADCOR TR-82-A-4, March 1982.
31. Tischler, Mark B., Joseph G. M. Leung, and Daniel C. Dugan, "Frequency-Domain Identification of XV-15 Tilt-Rotor Aircraft Dynamics," Paper presented at the AIAA/AHS/IES/SETP/SFTE/DGLR 2nd Flight Testing Conference, Las Vegas, NE, November 16-18, 1983.





**APPENDIX A**

**GENERIC TILT-ROTOR SIMULATION  
MATHEMATICAL MODEL**

## TABLE OF CONTENTS

Subsystem Number	Subsystem Description	Page
1	Rotor Aerodynamics	A-5
2	Rotor Induced Velocities	A-34
3	Fuselage Aerodynamics	A-41
4	Wing-Pylon Aerodynamics	A-45
5	Horizontal Stabilizer Aerodynamics	A-78
6	Vertical Stabilizer Aerodynamics	A-89
7a	Landing Gear (Present Sigma 8 Model)	A-103
7b	Landing Gear (Unused Bell Model)	A-117
8a	Controls	A-123
8b	Force Feel System	A-134
8c	Control Force Trim System	A-140
8d	Pilot's Control Function	A-144
9	CG and Inertia	A-165
10a	Axes Transformation (Airframe Aerodynamic Forces and Moments from Wind to Body Axis)	A-172
10b	Axes Transformation (Rotor Forces and Moments from Wind to Body Axis)	A-185
10c	Axes Transformation (Euler Angles)	A-189
10d	Axes Transformation (Earth Based Velocity)	A-192
10e	Axes Transformation (Ground Velocity Summation)	A-195
10f	Axes Transformation (Ground Reference Distances)	A-198
11	Aircraft Angular Accelerations and Velocities	A-202

## LIST OF SUBSYSTEMS (Concluded)

Subsystem Number	Subsystem Description	Page
12	Body Axis Linear Accelerations and Velocities	A-210
13	Force Summation	A-217
14	Moment Summation	A-222
15	Flight Environment	A-235
16	Pilot's Instrument Panel	A-239
17	Rotor Collective Governor	A-247
18	Engines and Fuel Controls	A-256
19	Drive System Dynamics	A-265
20	Stability and Control Augmentation System	A-272

## LIST OF FIGURES

Figure Number	Figure Description	Page
A1-1	Rotor Axes Systems and Sign Conventions	A-13
A1-2	Block Diagram of Ground Effect, Side-by-Side, and Tandem Rotor Calculations	A-23
A1-3	Block Diagram of Induced Velocity and Thrust Calculations	A-24
A4-1	Sign Convention and Notation for Mathematical Model of Rotor Wake-Wing Interaction	A-57

## LIST OF FIGURES

Figure Number	Figure Description	Page
A4-2	Flow Chart of Tilt Rotor Wing Aerodynamics Affected by the Rotor Wake	A-61
A5-1	Sign Conventions and Notation for Horizontal Stabilizer Aerodynamics	A-84
A6-1	Sign Conventions and Notation for Vertical Stabilizer Aerodynamics	A-96
A8a-1	Control System Block Diagram	A-129
A8a-2	Control Position/Force-Force and Moment Sign Convention	A-130
A8d-1	XV-15 Collective Head Switches	A-147
A8d-2	XV-15 Cyclic Grip Switches	A-148
A8d-3	XV-15 Flap Switch Selector Control	A-149
A8d-4	XV-15 SCAS Control Panel	A-150
A8d-5	XV-15 Governor Control Panel	A-151
A16-1	XV-15 Pilot's Control Panel	A-246
A17-1	XV-15 Rotor RPM Governor Failure Logic Block Diagram	A-254
A18-1	Engine Model Block Diagram	A-262
A20-1	Modified XV-15 Pitch SCAS Block Diagram (S/N 703)	A-277
A20-2	Modified XV-15 Roll SCAS Block Diagram (S/N 703)	A-278
A20-3	Modified XV-15 Yaw SCAS Block Diagram (S/N 703)	A-279
A20-4	Bell XV-15 Pitch Axis SCAS Block Diagram (S/N 702)	A-280
A20-5	Bell XV-15 Roll Axis SCAS Block Diagram (S/N 702)	A-281
A20-6	Bell XV-15 Yaw Axis SCAS Block Diagram (S/N 702)	A-282

1		ROTOR AERODYNAMICS	
Inputs: Variables		Outputs:	
<u>From Subsystem</u>	<u>Symbol</u>	<u>To Subsystem</u>	<u>Symbol</u>
12	U V W V <sub>T</sub>	2,10b	T <sub>R</sub> H <sub>R</sub> Y <sub>R</sub> T <sub>L</sub> H <sub>L</sub> Y <sub>L</sub>
11	p q r	1,2	W <sub>iR</sub> W <sub>iL</sub>
15	ρ M <sub>N</sub>	2,4	μ <sub>R</sub> μ <sub>L</sub>
19	Ω <sub>R</sub> Ω <sub>L</sub>	2	λ <sub>R</sub> λ <sub>L</sub>
9	h <sub>H</sub> SL <sub>CG</sub> WL <sub>CG</sub>	10b	M <sup>a</sup> <sub>1R</sub> l <sup>b</sup> <sub>1R</sub> M <sup>a</sup> <sub>1L</sub> l <sup>b</sup> <sub>1L</sub>
8a	β <sub>m</sub> θ <sub>oR</sub> B <sub>1R</sub> A <sub>1R</sub> θ <sub>oL</sub> B <sub>1L</sub> A <sub>1L</sub>	10b,19	Q <sub>R</sub> Q <sub>L</sub>
10b	X <sub>R</sub> X <sub>L</sub>	14	T <sub>R</sub> T <sub>L</sub>
Inputs: Constants, Coefficients, and Data Tables			
Constants:    n <sub>b</sub> , m, X <sub>m</sub> , θ <sub>m</sub> , R, δ <sub>3</sub> , c <sub>b</sub> , I <sub>b</sub> , l <sub>m</sub> , φ <sub>m</sub> , BL <sub>CG</sub> , SL <sub>SP</sub> , BL <sub>SP</sub> , WL <sub>SP</sub> , K <sub>H</sub> , K <sub>HUB</sub> , ā <sub>o</sub>			
(continued on next page)			

Inputs: Constants, Coefficients, and Data Tables (Concluded)

Coefficients:  $a_0, a_1, a_2, \delta_0, \delta_1, \delta_2, B, \alpha_{OL}, CDMACH, CDMAX,$   
 $CDALPH, CDLIM, CDFACT, CTMAXM, GECON1, GECON2,$   
 $GEWASH, SFWASH, MULO, MUH1, KMU1, KMU2, KMUSF$

Data Tables:	$C_T^-/\sigma = f(\mu, \beta_m)$	Table 1-I
	$X_{SF} = f( \bar{V} )$	Table 1-II
	$X_{SS} = f(\bar{u})$	Table 1-III

**SUBSYSTEM NO. 1: ROTOR AERODYNAMICS**

Inputs: Variables

Symbol	Description	Units
U	x-velocity (longitudinal) of the aircraft c.g. in body axis with respect to the air	ft/sec
V	y-velocity (lateral) of the aircraft c.g. in body axis with respect to the air	ft/sec
W	z-velocity (vertical) of the aircraft c.g. in body axis with respect to the air	ft/sec
$V_T$	Total linear velocity of the aircraft c.g. with respect to the air	ft/sec
p	Body axis roll rate	rad/sec
q	Body axis pitch rate	rad/sec
r	Body axis yaw rate	rad/sec
$\rho$	Air density	slug/ft <sup>3</sup>
$M_N$	Mach number	ND
$\Omega_R$	Instantaneous right rotor speed	rad/sec
$\Omega_L$	Instantaneous left rotor speed	rad/sec
$h_H$	Rotor hub height above ground	ft
$SL_{CG}$	Station line of c.g.	in
$WL_{CG}$	Water line of c.g.	in
$\beta_m$	Mast conversion angle (+ fwd, 0 deg = vertical or helicopter, 90 deg = horizontal or airplane)	rad
$\theta_{oR}$	Right rotor root collective pitch	rad
$B_{1R}$	Right rotor forward cyclic input	rad
$A_{1R}$	Right rotor lateral cyclic input	rad
$\theta_{oL}$	Left rotor root collective pitch	rad

**SUBSYSTEM NO. 1--ROTOR DYNAMICS (Continued)**

Inputs: Constants, Coefficients, and Data Tables

Symbol	Description	Units
$B_{1L}$	Left rotor forward cyclic input	rad
$A_{1L}$	Left rotor lateral cyclic input	rad
$X_R$	Right rotor x-force (body axis)	lb
$X_L$	Left rotor x-force (body axis)	lb
$n_b$	Number of rotor blades	ND
$m$	Number of rotor segments	ND
$X_m$	Blade station/R	ND
$\theta_m$	Blade twist	deg
$R$	Rotor radius	ft
$\delta_3$	Pitch flap coupling	deg
$c_b$	Blade chord	in
$I_b$	Blade flapping inertia	slug-ft
$l_m$	Mast length	ft
$\phi_m$	Lateral mast tilt	deg
$BL_{CG}$	Butt line of c.g.	in
$SL_{SP}$	Station line of engine nacelle shaft pivot point	in
$BL_{SP}$	Butt line of engine nacelle shaft pivot point	in
$WL_{SP}$	Water line of engine nacelle shaft pivot point	in
$K_H$	Flapping spring rate	ft-lb/deg
$K_{HUB}$	Coning hubspring	ft-lb/deg



**SUBSYSTEM NO. 1: ROTOR AERODYNAMICS (Continued)**

Inputs: Constants, Coefficients, and Data Tables (Continued)

<u>Symbol</u>	<u>Description</u>	<u>Units</u>
$\bar{a}_0$	Precone angle	deg
$a_0$	Blade lift coefficient	1/rad
$a_1$	Blade lift coefficient	1/ $\mu$
$a_2$	Blade lift coefficient	1/ $\mu^2$
$\delta_0$	Blade drag coefficient	ND
$\delta_1$	Blade drag coefficient	1/rad
$\delta_2$	Blade drag coefficient	1/rad <sup>2</sup>
B	Blade tip loss factor	ND
$\alpha_{0L}$	Blade zero lift coefficient	deg
CDMACH	Coefficient for lower limit of rotor mach effects	ND
CDMAX	Maximum rotor drag coefficient	ND
CDALPH	Rotor drag equation coefficient (slope with alpha)	ND
CDLIM	Onset of profile drag rise	ND
CDFACT	Rotor drag equation coefficient	ND
CTMAXM	Rotor CT max multiplier coefficient	ND
GECON1	Constant in the rotor ground effect equation	ft/sec
GECON2	Constant in the rotor ground effect equation	ft/sec
GEWASH	Airspeed washout for rotor ground effects	ft/sec
SFWASH	Airspeed washout for side-by-side rotor effects	ft/sec

**SUBSYSTEM NO. 1: ROTOR AERODYNAMICS (Continued)**

Inputs: Constants, Coefficients, and Data Tables (Concluded)

<u>Symbol</u>	<u>Description</u>	<u>Units</u>
MUHO	Induced velocity distribution equation coefficient	ND
MUH1	Induced velocity distribution equation coefficient	ND
KMU1	Induced velocity distribution equation coefficient	ND
KMU2	Induced velocity distribution equation coefficient	ND
KMUSF	Induced velocity distribution equation coefficient for sideward flight	ND
$\bar{C}_T/\sigma$	Maximum available rotor thrust coefficient, = $f(\mu, \beta_m)$	ND
$X_{SF}$	Sideward flight rotor correction factor, = $f( V )$	ND
$X_{SS}$	Side-by-side rotor effect correction factor, = $f(\bar{u})$	ND

Outputs:

$T_R$	Mast axis right rotor thrust (+ up for helicopter)	lb
$H_R$	Mast axis H-force right rotor thrust (+ aft for helicopter)	lb
$Y_R$	Mast axis Y-force right rotor thrust (+ right for helicopter)	lb
$T_L$	Mast axis left rotor thrust (+ up for helicopter)	lb
$H_L$	Mast axis H-force left rotor thrust (+ aft for helicopter)	lb
$Y_L$	Mast axis Y-force left rotor thrust (+ right for helicopter)	lb

SUBSYSTEM NO. 1—ROTOR AERODYNAMICS (Continued)

Outputs: Continued

Symbol	Description	Units
$W_{iR}$	Mast axis uniform component of induced velocity at right rotor (+ downward for helicopter)	ft/sec
$W_{iL}$	Mast axis uniform component of induced velocity at left rotor (+ downward for helicopter)	ft/sec
$\mu_R$	Tip speed (advance) ratio, right rotor	ND
$\mu_L$	Tip speed (advance) ratio, left rotor	ND
$\lambda_R$	Inflow ratio, right rotor	ND
$\lambda_L$	Inflow ratio, left rotor	ND
$\Omega'_R$	Total right rotor speed (corrected for aircraft angular rate)	rad/sec
$\Omega'_L$	Total left rotor speed (corrected for aircraft angular rate)	rad/sec
$M_{a1R}$	Mast axis longitudinal flapping restraint exerted by right rotor on airframe (+ nose up for helicopter)	ft-lb
$l_{b1R}$	Mast axis lateral flapping restraint exerted by right rotor on airframe (+ outboard for helicopter)	ft-lb
$M_{a1L}$	Mast axis longitudinal flapping restraint exerted by left rotor on airframe (+ nose up for helicopter)	ft-lb
$l_{b1L}$	Mast axis lateral flapping restraint exerted by left rotor on airframe (+ outboard for helicopter)	ft-lb

SUBSYSTEM NO. 1--ROTOR AERODYNAMICS (Concluded)

Outputs: Concluded

<u>Symbol</u>	<u>Description</u>	<u>Units</u>
$Q_R$	Mast axis right rotor torque (+ trying to slow rotor down)	ft-lb
$Q_L$	Mast axis left rotor torque (+ trying to slow rotor down)	ft-lb



## EQUATIONS

### SUBSYSTEM NO. 1--ROTOR AERODYNAMICS

A. Blade Twist Constants  
(One Time Per Rotor)

$$K_{so,m} = \frac{1}{\theta_1^m} [\cos(\theta_1^m X_m) - \cos(\theta_1^m X_{m-1})]$$

$$K_{co,m} = \frac{1}{\theta_1^m} [\sin(\theta_1^m X_{m-1}) - \sin(\theta_1^m X_m)]$$

$$K_{s1,m} = \frac{1}{\theta_1^m} \{ (K_{co,m}) - [X_{m-1} \cos(\theta_1^m X_{m-1}) - X_m \cos(\theta_1^m X_m)] \}$$

$$K_{c1,m} = \frac{-1}{\theta_1^m} \{ (K_{so,m}) - [X_{m-1} \sin(\theta_1^m X_{m-1}) - X_m \sin(\theta_1^m X_m)] \}$$

$$K_{s2,m} = \frac{2}{\theta_1^m} (K_{c1,m}) - \frac{1}{\theta_1^m} [(X_{m-1})^2 \cos(\theta_1^m X_{m-1}) - (X_m)^2 \cos(\theta_1^m X_m)]$$

$$K_{c2,m} = \frac{-2}{\theta_1^m} (K_{s1,m}) + \frac{1}{\theta_1^m} [(X_{m-1})^2 \sin(\theta_1^m X_{m-1}) - (X_m)^2 \sin(\theta_1^m X_m)]$$

$$K_{s3,m} = \frac{3}{\theta_1^m} (K_{c2,m}) - \frac{1}{\theta_1^m} [(X_{m-1})^3 \cos(\theta_1^m X_{m-1}) - (X_m)^3 \cos(\theta_1^m X_m)]$$

$$K_{c3,m} = \frac{-3}{\theta_1^m} (K_{s2,m}) + \frac{1}{\theta_1^m} [(X_{m-1})^3 \sin(\theta_1^m X_{m-1}) - (X_m)^3 \sin(\theta_1^m X_m)]$$

where  $\theta_1^m = \text{twist rate of } m^{\text{th}} \text{ segment} = \left( \frac{\theta_m - (\theta_{m-1})}{X_m - (X_{m-1})} \right)$

$X_m = \text{Radial station of } m^{\text{th}} \text{ segment}$

$\theta_m = \text{Blade pitch angle at } m^{\text{th}} \text{ segment}$

EQUATIONS (CONTINUED)

SUBSYSTEM NO. 1--ROTOR AERODYNAMICS

A. Blade Twist Constants (Concluded)

$K_{Cn,m}$  = Blade twist constants ( $n = 0, 1, 2, 3$ )

$m$  = number of geometric segments, starting from tip  
( $r/R = 1.0$ ) to root ( $r/R = 0.0$ )

$$\theta'_R = \theta_R + \alpha_{OL}$$

Define blade pitch constant components as:

$$TW1_n = \sum_{m=1}^l K_{Cn,m} \cos \Delta\theta_{0m}$$

$$TW2_n = \sum_{m=1}^l K_{Cn,m} \sin \Delta\theta_{0m}$$

$$TW3_n = \sum_{m=1}^l K_{Sn,m} \sin \Delta\theta_{0m}$$

$$TW4_n = \sum_{m=1}^l K_{Sn,m} \cos \Delta\theta_{0m}$$

Where,  $\Delta\theta_{0m} = (\theta_m - \theta'_R) - X_m \theta_1^m$

$\theta_R$  = Blade pitch at the rotor center

$l$  = Number of  $m$  aerodynamic segments to account for  
blade root cutout.

B. Initial Transformation Equations  
(One Time Per Rotor)

$$A = \pi R^2$$

$$DN' = AR^2 = \pi R^4$$

EQUATIONS (CONTINUED)

SUBSYSTEM NO. 1--ROTOR AERODYNAMICS

B. Initial Transformation Equations (Concluded)  
(One Time Per Rotor)

$$TD3 = \text{TAN}(\delta_3)$$

$$\sigma = \frac{n_b c_b}{\pi R}$$

$$\gamma' = \frac{c_b R^4}{I_b}$$

$$\gamma_m = \rho \gamma'$$

C. Long Term Transformations

1. Rotor Angular Velocity in Space

$$\Omega'_R = \Omega_R + p \sin \beta_m \cos \phi_m + q \cos \beta_m \sin \phi_m - r \cos \beta_m \cos \phi_m$$

$$\Omega'_L = \Omega_L - p \sin \beta_m \cos \phi_m + q \cos \beta_m \sin \phi_m + r \cos \beta_m \cos \phi_m$$

2. "Wind-Mast" Axis Angular Rates

Right Rotor

$$p_{WMR} = p_{HMR} \cos \xi_{WMR} + q_{HMR} \sin \xi_{WMR}$$

$$q_{WMR} = -p_{HMR} \sin \xi_{WMR} + q_{HMR} \cos \xi_{WMR}$$

where

$$p_{HMR} = p \cos \beta_m - q \sin \beta_m \sin \phi_m + r \sin \beta_m \cos \phi_m$$

$$q_{HMR} = q \cos \phi_m + r \sin \phi_m$$



EQUATIONS (CONTINUED)

SUBSYSTEM NO. 1--ROTOR AERODYNAMICS

2. "Wind-Mast" Axis Angular Rates: Right Rotor (Concluded)

$\xi_{WMR}$  = wind azimuth angle defined to be equal to  $\tan^{-1} \frac{V_{HMR}}{U_{HMR}}$

$$\hat{p}_{WMR} = \frac{p_{WMR}}{\Omega'_R}$$

$$\hat{q}_{WMR} = \frac{q_{WMR}}{\Omega'_R}$$

Left Rotor

$$p_{WML} = p_{HML} \cos \xi_{WML} + q_{HML} \sin \xi_{WML}$$

$$q_{WML} = -p_{HML} \sin \xi_{WML} + q_{HML} \cos \xi_{WML}$$

where

$$p_{HML} = -p \cos \beta_m - q \sin \beta_m \sin \phi_m - r \sin \beta_m \cos \phi_m$$

$$q_{HML} = \quad q \cos \phi_m \quad - r \sin \phi_m$$

$\xi_{WML}$  = wind azimuth angle defined to be equal to  $\tan^{-1} \frac{V_{HML}}{U_{HML}}$

$$\hat{p}_{WML} = \frac{p_{WML}}{\Omega'_L}$$

$$\hat{q}_{WML} = \frac{q_{WML}}{\Omega'_L}$$

EQUATIONS (CONTINUED)

SUBSYSTEM NO. 1--ROTOR AERODYNAMICS

3. Rotor Hub Velocity--Mast Axes

Right Rotor

$$U_{HMR} = U_{HBR} \cos \beta_m - V_{HBR} \sin \beta_m \sin \phi_m + W_{HBR} \sin \beta_m \cos \phi_m$$

$$V_{HMR} = V_{HBR} \cos \phi_m + W_{HBR} \sin \phi_m$$

$$W_{HMR} = -U_{HBR} \sin \beta_m - V_{HBR} \cos \beta_m \sin \phi_m + W_{HBR} \cos \beta_m \cos \phi_m$$

Where,

$$U_{HBR} = U - q(L_{ZH}) - r(L_{YH})$$

$$V_{HBR} = V + p(L_{ZH}) + r(L_{XH})$$

$$W_{HBR} = W + p(L_{YH}) - q(L_{XH})$$

$$L_{XH} = \frac{(SL_{CG} - SL_{SP})}{12} + l_m \sin \beta_m \cos \phi_m$$

$$L_{YH} = \frac{(BL_{SP} - BL_{CG})}{12} + l_m \sin \phi_m$$

$$L_{ZH} = \frac{(WL_{SP} - WL_{CG})}{12} + l_m \cos \beta_m \cos \phi_m$$

EQUATIONS (CONTINUED)

SUBSYSTEM NO. 1--ROTOR AERODYNAMICS

3. Rotor Hub Velocity--Mast Axes: Right Rotor (Concluded)

Left Rotor

$$U_{HML} = U_{HBL} \cos \beta_m + V_{HBL} \sin \beta_m \sin \phi_m + W_{HBL} \sin \beta_m \cos \phi_m$$

$$V_{HML} = -V_{HBL} \cos \phi_m + W_{HBL} \sin \phi_m$$

$$W_{HML} = -U_{HBL} \sin \beta_m + V_{HBL} \cos \beta_m \sin \phi_m + W_{HBL} \cos \beta_m \cos \phi_m$$

Where,

$$U_{HBL} = U - q(L_{ZH}) + r(L_{YH})$$

$$V_{HBL} = V + p(L_{ZH}) + r(L_{XH})$$

$$W_{HBL} = W - p(L_{YH}) - q(L_{XH})$$

EQUATIONS (CONTINUED)

SUBSYSTEM NO. 1--ROTOR AERODYNAMICS

4. Aerodynamic Coefficients

Right Rotor

$$DN_R = \rho \Omega_R'^2 DN'$$

$$DNQ_R = DN_R (\Omega_R' R / 550)$$

$$\mu_R = \frac{(U_{HMR}^2 + V_{HMR}^2)^{1/2}}{\Omega_R' R}$$

$$\lambda_{OR} = -\frac{W_{HMR}}{\Omega_R' R}$$

$$\xi_{WMR} = \tan^{-1} \left( \frac{V_{HMR}}{U_{HMR}} \right)$$

$$a_R = [a_0 + \mu_R (a_1 - a_2 \mu_R)] \left( \frac{1}{[1 - (0.75 M_{TIP})^2 \sin^2 \beta_m]^{1/2}} \right)$$

Where  $a_0, a_1, a_2$  = blade lift coefficients

$$C_{KFAR} = \frac{(2/3)K_H}{I_b \Omega_R'^2}$$

$$C_{KLTR} = \frac{(2/3)K_H}{I_b \Omega_R'^2}$$

$$\gamma_R = \frac{\rho a_R c_b R^4}{I_b} \left( 1 + \frac{\mu_R}{2} \right) = \gamma_{MR} \left( 1 + \frac{\mu_R}{2} \right)$$

$$\gamma_{MR} = \gamma_m a_R$$

EQUATIONS (CONTINUED)

SUBSYSTEM NO. 1--ROTOR AERODYNAMICS

4. Aerodynamic Coefficients: Right Rotor (Concluded)

Define,

$$Q_{6R} = 0.5 \sigma a_R (DN_R)$$

(For left rotor, replace subscript R with L)

D. Short Term Transformations  
(Every Update Cycle)

1. "Wind-Mast" Axis Cyclic Inputs

Right Rotor

$$\bar{A}_{1R} = A_{1R} \cos \xi_{WMR} - B_{1R} \sin \xi_{WMR}$$

$$\bar{B}_{1R} = A_{1R} \sin \xi_{WMR} + B_{1R} \cos \xi_{WMR}$$

(For left rotor, replace subscript R with L)

2. Blade Pitch Constants

Right Rotor

$$C_{SnR} = (TW 1_n - TW 3_n) \sin \theta_{OR} + (TW 2_n + TW 4_n) \cos \theta_{OR}$$

$$C_{CnR} = -(TW 2_n + TW 4_n) \sin \theta_{OR} + (TW 1_n - TW 3_n) \cos \theta_{OR}$$

(For left rotor, replace subscript R with L)

3. Performance Parameters

Right Rotor

$$\alpha_{rR} = \frac{7 C_{TR}}{\sigma a_R}$$

$$M_{TIP} = \frac{1}{V_{sound}} \left[ V_T^2 + (\Omega'_R R)^2 + 2 V_T \Omega'_R R \cos \beta_m \right]^{1/2}$$

EQUATIONS (CONTINUED)

SUBSYSTEM NO. 1--ROTOR AERODYNAMICS

3. Performance Parameters: Right Rotor (Concluded)

$$C_d = \min\{CDMAX, \delta_0 + \alpha_{rR}(\delta_1 + \alpha_{rR}\delta_2) + \max\{0, CDALPH(\alpha_{rR}) + CDFACT[CDLIM + \max(M_{TIP}, CDMACH)]\}\}$$

$$C_{d_{fR}} = C_d / n_b a_R$$

(For left rotor, replace subscript R with L)

4. Ground Effect, Side-by-Side and Tandem Rotor Factors

(See Fig. A1-2)

5. Thrust and Induced Velocity

(See Fig. A1-3)

6. Rotor Flapping (Wind-Mast Axis System)

Right Rotor

$$a_{0R} = \frac{0.75R(T_R / n_b) + K_{HUB} \bar{a}_0}{I_b \Omega_R^2 + K_{HUB}}$$

TW34 = twist at 3/4 radius (starting at root)

(For the XV-15, TW34 = 34.525 degrees)

The first-order flapping equations used are described in matrix form as follows:

$$\begin{bmatrix} C_{11} & C_{12} \\ C_{21} & C_{22} \end{bmatrix} \begin{Bmatrix} \dot{\bar{a}}_1 \\ \dot{\bar{b}}_1 \end{Bmatrix} + \begin{bmatrix} A_{11} & A_{12} \\ A_{21} & A_{22} \end{bmatrix} \begin{Bmatrix} \bar{a}_1 \\ \bar{b}_1 \end{Bmatrix} = \begin{Bmatrix} B_1 \\ B_2 \end{Bmatrix}$$

Figure A1-2. Block Diagram of Ground Effect, Side-by-Side, and Tandem Rotor Calculations

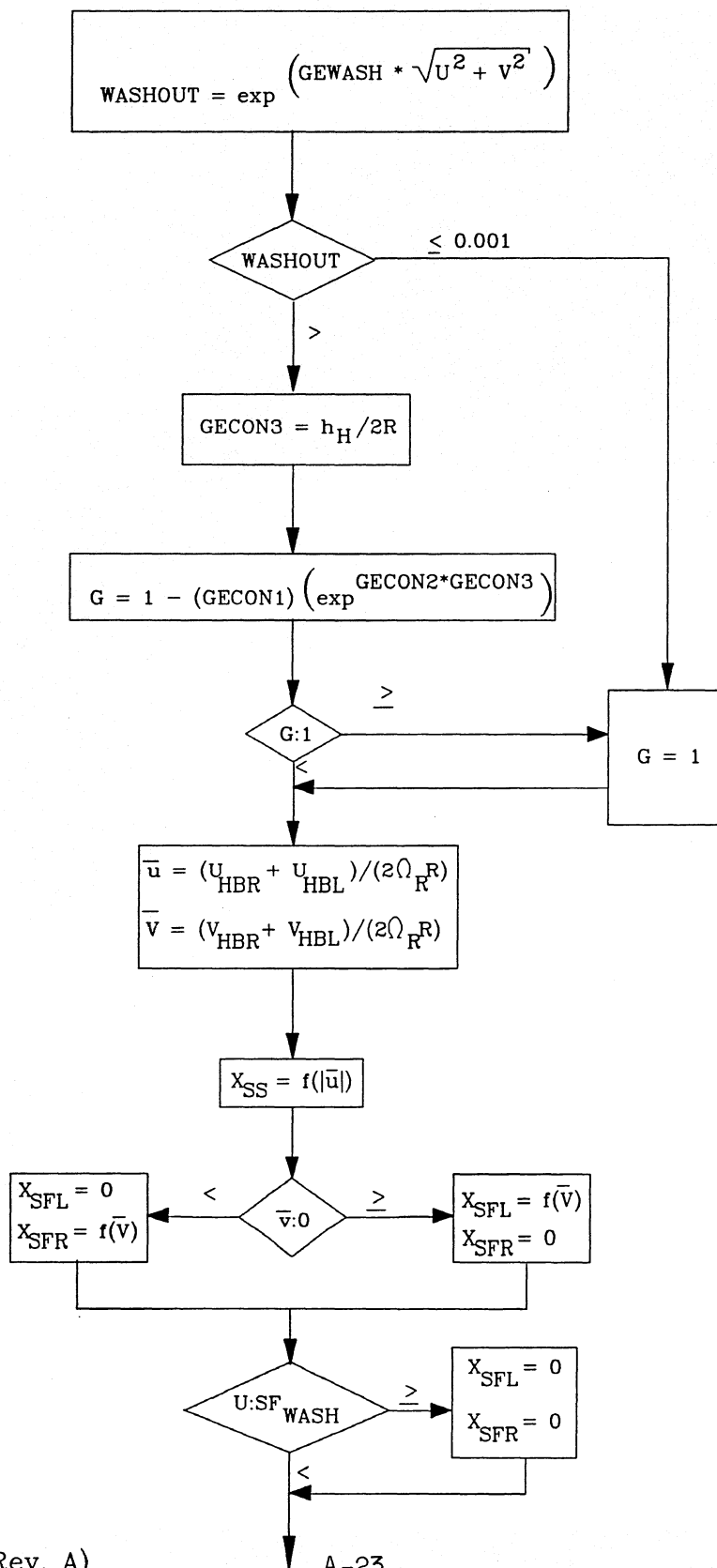


Figure A1-3. Block Diagram of Induced Velocity and Thrust Calculations

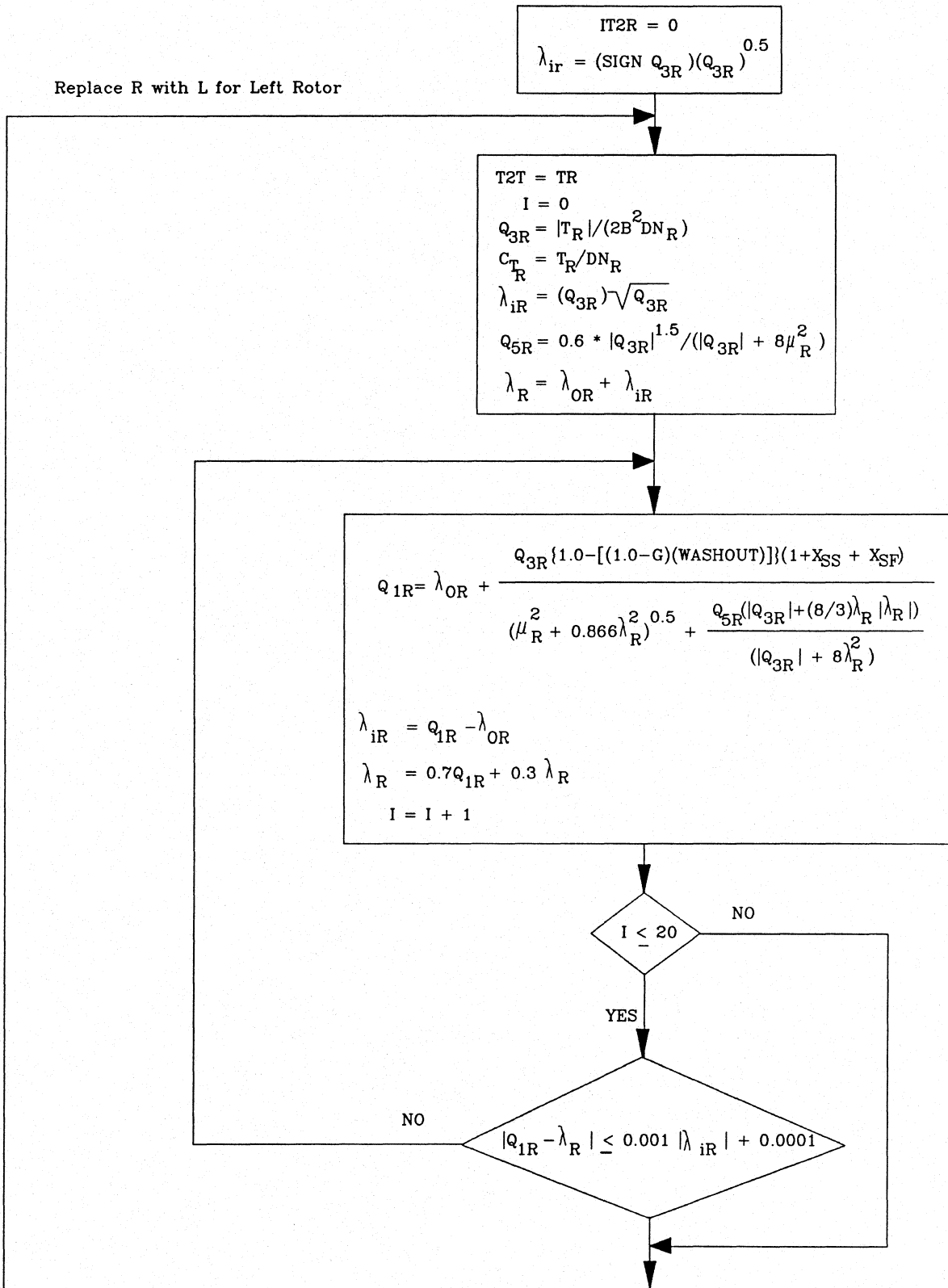
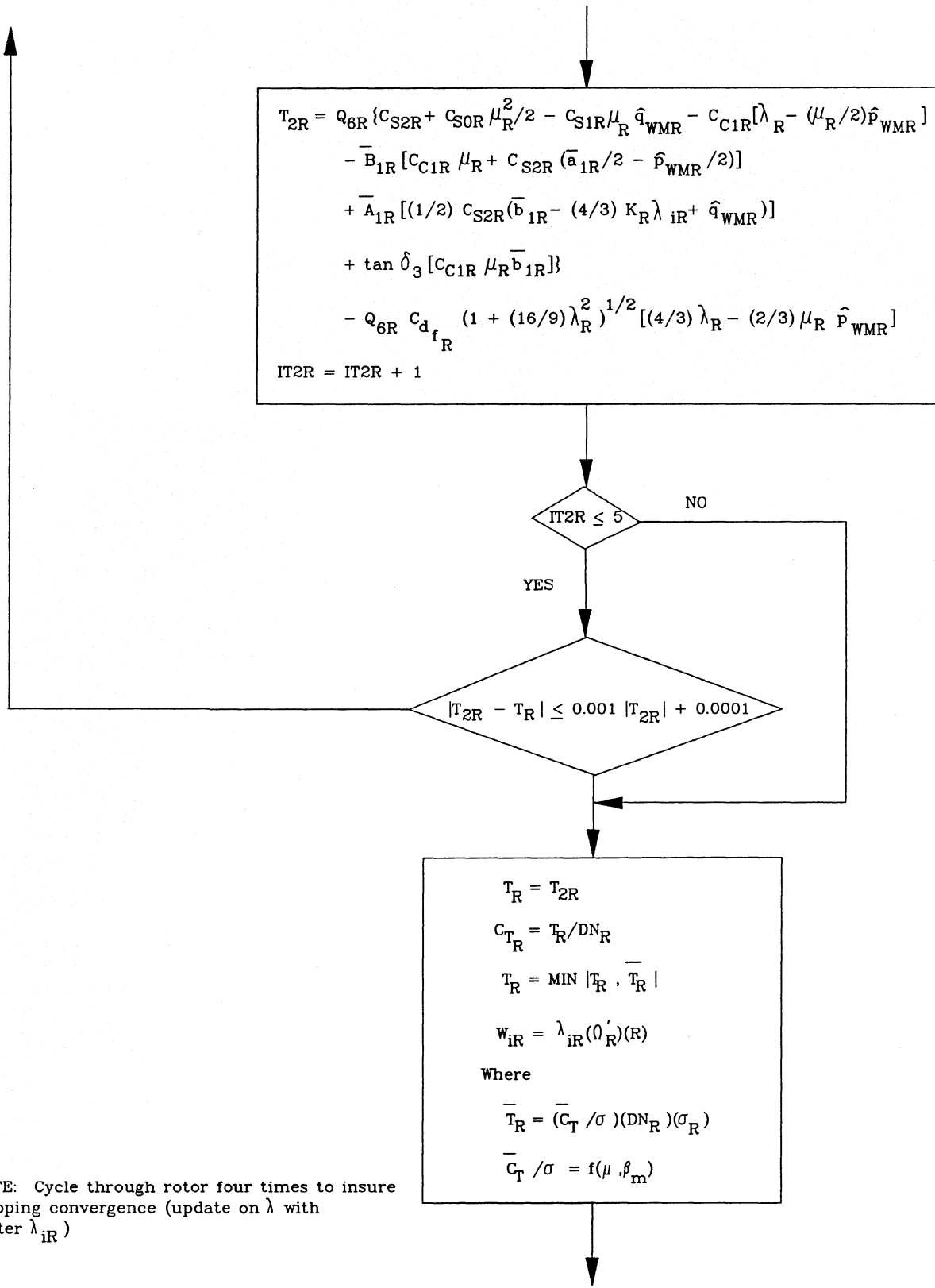




Figure A1-3 (Concluded)



NOTE: Cycle through rotor four times to insure flapping convergence (update on  $\lambda$  with better  $\lambda_{iR}$ )

EQUATIONS (CONTINUED)

SUBSYSTEM NO. 1--ROTOR AERODYNAMICS

6. Rotor Flapping (Wind-Mast Axis System) Right Rotor (Continued)

A simplified zero-order (algebraic) flapping equation is used at the user's option (switch incorporated) by solving the following:

$$\begin{bmatrix} A_{11} & A_{12} \\ A_{21} & A_{22} \end{bmatrix} \begin{bmatrix} \bar{a}_1 \\ \bar{b}_1 \end{bmatrix} = \begin{bmatrix} B_1 \\ B_2 \end{bmatrix}$$

The above coefficients are as follows:

$$A_{11} = \left[ \frac{\lambda_R}{6} \sin(\theta_{0R} - TW34) + \left( \frac{1}{8} + \frac{\mu_R^2}{18} \right) \cos(\theta_{0R} - TW34) \right] RQ_{6R} \tan \delta_3 + K_H$$

$$A_{12} = \left( \frac{1}{8} + \frac{\mu_R^2}{18} \right) RQ_{6R} \cos(\theta_{0R} - TW34) + \left[ \frac{\mu_R}{18} (a_{0R} \mu_R + K_R \lambda_{iR}) \sin(\theta_{0R} - TW34) \right] RQ_{6R} \tan \delta_3$$

$$A_{21} = \left( -\frac{1}{8} + \frac{\mu_R^2}{18} \right) RQ_{6R} \cos(\theta_{0R} - TW34) + \left[ \frac{\mu_R}{18} (a_{0R} \mu_R + K_R \lambda_{iR}) \sin(\theta_{0R} - TW34) \right] RQ_{6R} \tan \delta_3$$

$$A_{22} = \left[ \frac{\lambda_R}{6} \sin(\theta_{0R} - TW34) + \left( \frac{1}{8} + \frac{\mu_R^2}{6} \right) \cos(\theta_{0R} - TW34) \right] RQ_{6R} \tan \delta_3 + K_H$$

EQUATIONS (CONTINUED)

SUBSYSTEM NO. 1--ROTOR AERODYNAMICS

6. Rotor Flapping (Wind-Mast Axis System) Right Rotor (Continued)

$$C_{11} = \left[ \left( \frac{RQ_{6R}}{8\Omega_R'} \right) \cos(\theta_{0R} - TW34) \right]$$

$$C_{12} = \left[ \left( \frac{RQ_{6R}}{4\Omega_R'} \right) a_{0R} \sin(\theta_{0R} - TW34) - \left( \frac{RQ_{6R}}{6\Omega_R'} \right) a_{0R} \lambda_R \cos(\theta_{0R} - TW34) \right. \\ \left. + n_b I_b \Omega_R' \right]$$

$$C_{21} = -C_{12}$$

$$C_{22} = \left[ \left( \frac{RQ_{6R}}{8\Omega_R'} \right) \cos(\theta_{0R} - TW34) \right]$$

$$B_1 = \frac{RQ_{6R}}{6} (a_{0R} \mu_R + K_R \lambda_{iR}) \cos(\theta_{0R} - TW34) \\ - \left[ \left( \frac{RQ_{6R}}{4} \right) a_{0R} \sin(\theta_{0R} - TW34) - \left( \frac{RQ_{6R}}{6} \right) a_{0R} \lambda_R \cos(\theta_{0R} - TW34) \right. \\ \left. + n_b I_b \Omega_R'^2 \right] \hat{p}_{WMR} - \left[ \left( \frac{RQ_{6R}}{8} \right) \cos(\theta_{0R} - TW34) \right] \hat{q}_{WMR} \\ + \bar{B}_{1R} \left[ \left( \frac{RQ_{6R}}{18} \right) \mu_R (a_{0R} \mu_R + K_R \lambda_{iR}) \sin(\theta_{0R} - TW34) \right] \\ + \bar{A}_{1R} \left[ \left( \frac{RQ_{6R}}{6} \right) \lambda_R \sin(\theta_{0R} - TW34) \right] \\ + RQ_{6R} \left( \frac{1}{8} + \frac{\mu_R^2}{18} \right) \cos(\theta_{0R} - TW34) ]$$

EQUATIONS (CONTINUED)

SUBSYSTEM NO. 1--ROTOR AERODYNAMICS

6. Rotor Flapping (Wind-Mast Axis System) Right Rotor (Concluded)

$$\begin{aligned}
 B_2 = & \frac{RQ_{6R}}{6} \left[ \frac{4}{3} \mu_R \lambda_R - 2 \mu_R \tan(\theta_{0R} - TW34) \right] \cos(\theta_{0R} - TW34) \\
 & + \left[ \left( \frac{RQ_{6R}}{4} \right) a_{0R} \sin(\theta_{0R} - TW34) - \left( \frac{RQ_{6R}}{6} \right) a_{0R} \lambda_R \cos(\theta_{0R} - TW34) \right. \\
 & + \pi_b I_b \Omega_R'^2 \hat{q}_{WMR} - \left. \left[ \left( \frac{RQ_{6R}}{8} \right) \cos(\theta_{0R} - TW34) \right] \hat{p}_{WMR} \right. \\
 & + \bar{B}_{1R} \left[ \left( \frac{RQ_{6R}}{6} \right) \lambda_R \sin(\theta_{0R} - TW34) + RQ_{6R} \left( \frac{1}{8} + \frac{\mu_R^2}{6} \right) \cos(\theta_{0R} - TW34) \right] \\
 & \left. + \bar{A}_{1R} \left[ \left( \frac{RQ_{6R}}{18} \right) \mu_R (a_{0R} \mu_R + K_R \lambda_{1R}) \sin(\theta_{0R} - TW34) \right] \right]
 \end{aligned}$$

$$\dot{\bar{a}}_{1R} = \frac{C_{22} B_1 - C_{12} B_2 + (C_{12} A_{21} - C_{22} A_{11}) \bar{a}_{1R} + (C_{12} A_{22} - C_{22} A_{12}) \bar{b}_{1R}}{C_{11} C_{22} - C_{12} C_{21}}$$

$$\dot{\bar{b}}_{1R} = \frac{C_{11} B_2 - C_{21} B_1 + (C_{21} A_{11} - C_{11} A_{21}) \bar{a}_{1R} + (C_{21} A_{12} - C_{11} A_{22}) \bar{b}_{1R}}{C_{11} C_{22} - C_{12} C_{21}}$$

$$\bar{a}_{1R} = \int \dot{\bar{a}}_{1R}$$

$$\bar{b}_{1R} = \int \dot{\bar{b}}_{1R}$$

EQUATIONS (CONTINUED)

SUBSYSTEM NO. 1--ROTOR AERODYNAMICS

7. Inflow Distribution Factor  $K_R$

Right Rotor

(For left rotor, replace subscript R with L)

At low airspeeds  $K_R = f(\mu, \beta_F)$  where:

$$KR1 = KMUSF + (KMU1 - KMUSF)(|\cos^3 \beta_F|)$$

At higher airspeeds,  $K_R = f(\mu)$  where the following table summarizes the options for the calculation of  $K_R$

<u><math>\mu_R</math></u>	<u><math>K_R</math></u>
$0 < \mu_R < MULO$	$KR1(\mu_R)$
$MULO < \mu_R < MUH1$	$KR1(MULO) + KMU2(\mu_R - MULO)$
$\mu_R > MUH1$	$KR1(MULO) + KMU2(MUH1 - MULO)$

8. Rotor Flapping in Mast Axis System

Right Rotor

(For left rotor, replace subscript R with L)

$$a_{1R} = \bar{a}_{1R} \cos \xi_{WMR} + \bar{b}_{1R} \sin \xi_{WMR}$$

$$b_{1R} = -\bar{a}_{1R} \sin \xi_{WMR} + \bar{b}_{1R} \cos \xi_{WMR}$$

EQUATIONS (CONTINUED)

SUBSYSTEM NO. 1--ROTOR AERODYNAMICS

9. Rotor Inplane Forces in Wind-Mast Axis System

Right Rotor

(For left rotor, replace subscript R with L)

$$\begin{aligned} \bar{H}_R = Q_{6R} \{ & C_{SOR} \left( \frac{\mu_R \lambda_R}{2} \right) + C_{S2R} \left( \bar{a}_{1R} - \frac{\hat{p}_{WMR}}{2} \right) \\ & - C_{1R} \lambda_R \left( \frac{3}{2} \bar{a}_{1R} - \hat{p}_{WMR} \right) - C_{C2R} \left( \frac{a_{0R}}{2} \right) \left[ \left( \bar{b}_{1R} - \frac{4}{3} K_R \lambda_{iR} \right) + \hat{q}_{WMR} \right] \\ & - \bar{B}_{1R} \left[ \frac{1}{2} C_{C1R} \lambda_R + \frac{1}{2} C_{SOR} \lambda_R^2 \right] \\ & + \bar{A}_{1R} \left[ \frac{1}{2} C_{C2R} a_{0R} + \frac{1}{2} C_{S1R} a_{0R} \lambda_R \right] \\ & - \tan \delta_3 \left[ \frac{1}{2} C_{C2R} a_{0R} \bar{a}_{1R} - \frac{1}{2} C_{C1R} \lambda_R \bar{b}_{1R} \right. \\ & \left. - \frac{8}{9} C_{S2R} \lambda_R^2 \bar{b}_{1R} \right] \} \\ & + Q_{6R} C_{dfR} \left( 1 + \frac{16}{9} \lambda_R^2 \right)^{1/2} \left( \frac{4}{3} \mu_R - a_{0R} \hat{q}_{WMR} \right) \end{aligned}$$

EQUATIONS (CONTINUED)

SUBSYSTEM NO. 1--ROTOR AERODYNAMICS

9. Rotor Inplane Forces in Wind-Mast Axis System Right Rotor (Concluded)

$$\begin{aligned}
 \bar{Y}_R = Q_{6R} \{ & C_{SOR} \left( \frac{\mu_R^2}{2} \right) \bar{B}_{1R} + C_{S2R} \left[ \left( \bar{B}_{1R} - \frac{2}{3} K_R \lambda_{1R} \right) + \left( \frac{\hat{q}_{WMR}}{2} \right) \right] \\
 & - C_{C1R} \lambda_R \left[ \frac{3}{2} \left( \bar{B}_{1R} - \frac{8}{9} K_R \lambda_{1R} \right) + \hat{q}_{WMR} \right] + C_{C2R} \left( \frac{a_{0R}}{2} \right) (\bar{a}_{1R} - \hat{p}_{WMR}) \\
 & - \frac{3}{2} C_{S1R} \mu_R a_{0R} \\
 & + \bar{B}_{1R} \left[ \frac{1}{2} C_{C2R} a_{0R} + \frac{1}{2} C_{S1R} a_{0R} \lambda_R \right] \\
 & + \bar{A}_{1R} \left[ \frac{1}{2} C_{C1R} \lambda_R + \frac{1}{2} C_{SOR} \lambda_R^2 \right] \\
 & - \tan \delta_3 \left[ \frac{1}{2} C_{C2R} a_{0R} \bar{B}_{1R} + \frac{1}{2} C_{C1R} \lambda_R \bar{a}_{1R} \right. \\
 & \left. + \frac{8}{9} C_{S2R} \lambda_R^2 \bar{a}_{1R} \right] \} \\
 & + Q_{6R} C_{dfR} \left( 1 + \frac{16}{9} \lambda_R^2 \right)^{1/2} (a_{0R} \hat{p}_{WMR})
 \end{aligned}$$

10. Rotor Inplane Forces in Mast Axis System

Right Rotor

(For left rotor, replace subscript R with L)

$$H_R = \bar{H}_R \cos \xi_{WMR} + \bar{Y}_R \sin \xi_{WMR}$$

$$Y_R = -\bar{H}_R \sin \xi_{WMR} + \bar{Y}_R \cos \xi_{WMR}$$

EQUATIONS (CONTINUED)

SUBSYSTEM NO. 1--ROTOR AERODYNAMICS

11. Rotor Power and Torque Required

Right Rotor

(For left rotor, replace subscript R with L)

$$\begin{aligned}
 HP_{REQR} = & (DNQ_R) \frac{\sigma a_R}{2} \left\{ C_{S2R} \left( \lambda_R - \frac{1}{2} \mu_R \hat{p}_{WMR} \right) \right. \\
 & - C_{C1R} (\lambda_R^2 - \mu_R \lambda_R \bar{a}_{1R}) - \frac{1}{2} C_{C3R} \left\{ \bar{a}_{1R}^2 + \left( \bar{b}_{1R} - \frac{4}{3} K_R \lambda_{1R} \right)^2 \right. \\
 & \left. \left. - 2 \hat{p}_{WMR} \left( \bar{a}_{1R} - \frac{\hat{p}_{WMR}}{2} \right) + 2 \hat{q}_{WMR} \left[ \left( \bar{b}_{1R} - \frac{4}{3} K_R \lambda_{1R} \right) + \frac{\hat{q}_{WMR}}{2} \right] \right\} \right. \\
 & - \bar{B}_{1R} \left[ \frac{1}{2} C_{C3R} (\bar{a}_{1R} - \hat{p}_{WMR}) + \frac{1}{2} C_{C1R} \lambda_R \mu_R \right. \\
 & \left. + C_{S2R} \lambda_R (\bar{a}_{1R} - \hat{p}_{WMR}) \right] \\
 & + \bar{A}_{1R} \left\{ \frac{1}{2} C_{C3R} \left[ \left( \bar{b}_{1R} - \frac{4}{3} K_R \lambda_{1R} \right) + \hat{q}_{WMR} \right] \right. \\
 & \left. + C_{S2R} \left[ \lambda_R \left( \left( \bar{b}_{1R} - \frac{4}{3} K_R \lambda_{1R} \right) + \hat{q}_{WMR} \right) \right] \right\} \\
 & - \tan \delta_3 \left[ \frac{1}{2} C_{C3R} (\bar{b}_{1R} \hat{p}_{WMR} + \bar{a}_{1R} \hat{q}_{WMR}) \right] \left. \right\} \\
 & + (DNQ_R) \frac{\sigma a_R}{2} C_{dfR} \left( 1 + \frac{16}{9} \lambda_R^2 \right)^{1/2} \left( \frac{3}{4} + \frac{2}{3} \mu_R^2 - a_{OR} \mu_R \hat{q}_{WMR} \right)
 \end{aligned}$$

$$Q_R = \frac{550 HP_{REQR}}{\Omega'_R}$$



EQUATIONS (CONCLUDED)

SUBSYSTEM NO. 1--ROTOR AERODYNAMICS

12. Rotor Moments in Mast Axis System

Right Rotor

(For left rotor, replace subscript R with L)

$$M_{a_{1R}} = K_H a_{1R}$$

$$l_{b_{1R}} = K_H b_{1R}$$

13. Propeller Efficiency

$$\eta_{\text{PROPR}} = \frac{X_R(V_T)}{550(\text{HP}_{\text{REQR}})}$$

$$\eta_{\text{PROPL}} = \frac{X_L(V_T)}{550(\text{HP}_{\text{REQL}})}$$

2		ROTOR INDUCED VELOCITIES	
Inputs: Variables		Outputs:	
<u>From Subsystem</u>	<u>Symbol</u>	<u>To Subsystem</u>	<u>Symbol</u>
1	T <sub>R</sub> H <sub>R</sub> Y <sub>R</sub> T <sub>L</sub> H <sub>L</sub> Y <sub>L</sub> W <sub>iR</sub> W <sub>iL</sub> μ <sub>R</sub> μ <sub>L</sub> λ <sub>R</sub> λ <sub>L</sub> Ω <sub>R</sub> Ω <sub>L</sub>	4	U <sub>i</sub>   B R/WL W <sub>i</sub>   B R/WL R <sub>WL</sub> U <sub>i</sub>   B R/WR W <sub>i</sub>   B R/WR R <sub>WR</sub> C <sub>RFL</sub> C <sub>RFR</sub> W <sub>i</sub>   R/WL W <sub>i</sub>   R/WR
8a	β <sub>m</sub>	5	U <sub>i</sub>   B R/H W <sub>i</sub>   B R/H
12	α <sub>F</sub> β <sub>F</sub>	6	U <sub>i</sub>   B R/V W <sub>i</sub>   B R/V
15	V <sub>T</sub> ρ M <sub>N</sub>		
Inputs: Constants, Coefficients, and Data Tables			
Constants:	R, l <sub>m</sub> , SL <sub>H</sub> , SL <sub>SP</sub>		
Coefficients:	K <sub>0</sub> , K <sub>1</sub> , K <sub>2</sub> , K <sub>3</sub> , K <sub>4</sub>		
Data Tables:	$\frac{W_i   R/H}{W_i} = f(\alpha_F, \beta_m, V_T)$	Table 2-I	
	$K_{H\beta} = f(\beta_F, \beta_m)$	Table 2-II	

SUBSYSTEM NO. 2—ROTOR INDUCED VELOCITIES

Inputs: Variables

<u>Symbol</u>	<u>Description</u>	<u>Units</u>
$T_R$	Mast axis right rotor thrust (+ up for helicopter)	lb
$H_R$	Mast axis H-force right rotor (+ aft for helicopter)	lb
$Y_R$	Mast axis Y-force right rotor (+ right for helicopter)	lb
$T_L$	Mast axis left rotor thrust (+ up for helicopter)	lb
$H_L$	Mast axis H-force left rotor (+ aft for helicopter)	lb
$Y_L$	Mast axis Y-force left rotor (+ right for helicopter)	lb
$W_{iR}$	Mast axis uniform component of induced velocity at right rotor (+ downward for helicopter)	ft/sec
$W_{iL}$	Mast axis uniform component of induced velocity at left rotor (+ downward for helicopter)	ft/sec
$\mu_R$	Tip speed (advance) ratio, right rotor	ND
$\mu_L$	Tip speed (advance) ratio, left rotor	ND
$\lambda_R$	Inflow ratio, right rotor	ND
$\lambda_L$	Inflow ratio, left rotor	ND
$\Omega'_R$	Total right rotor speed (corrected for aircraft angular rate)	rad/sec
$\Omega'_L$	Total left rotor speed (corrected for aircraft angular rate)	rad/sec

**SUBSYSTEM NO. 2—ROTOR INDUCED VELOCITIES (Continued)**

Inputs: Variables (Concluded)

<u>Symbol</u>	<u>Description</u>	<u>Units</u>
$\beta_m$	Mast conversion angle (+ fwd, 0 deg = vertical or helicopter, 90 deg = horizontal or airplane	rad
$\alpha_F$	Fuselage angle of attack	rad
$\beta_F$	Fuselage sideslip angle	rad
$V_T$	Total linear velocity of the aircraft c.g. with respect to the air	ft/sec
$\rho$	Air density	slug/ft <sup>3</sup>
$M_N$	Mach number	ND

Inputs: Constants, Coefficients, and Data Tables

R	Rotor radius	ft
$l_m$	Mast length	ft
$SL_H$	Station line of the horizontal stabilizer center of pressure	in
$SL_{SP}$	Station line of the engine nacelle shaft pivot point	in
$K_0 \dots K_4$	Constants in the rotor/wing wake equation	ND
$\frac{w_1  _{R/H}}{w_1}$	Ratio of the induced z-axis rotor wake velocity on the horizontal stabilizer to the mean induced velocity at the rotor (for both right and left rotor) = $f(\alpha_F, \beta_m, V_T)$	ND

**SUBSYSTEM NO. 2--ROTOR INDUCED VELOCITIES (Concluded)**

Outputs:

<u>Symbol</u>	<u>Description</u>	<u>Units</u>
$K_{H\beta}$	Rotor wake on the horizontal stabilizer (constant) = $f(\beta_m, \beta_F)$	ND
$U_i \Big _{R/WL}^B$	Induced x-velocity at the left wing in body axis due to the rotor	ft/sec
$W_i \Big _{R/WL}^B$	Induced z-velocity at the left wing in body axis due to the rotor	ft/sec
$R_{WL}$	Left rotor wake contraction ratio	ND
$U_i \Big _{R/WR}^B$	Induced x-velocity at the right wing in body axis due to the rotor	ft/sec
$W_i \Big _{R/WR}^B$	Induced z-velocity at the right wing in body axis due to the rotor	ft/sec
$R_{WR}$	Right rotor wake contraction ratio	ND
$C_{RFL}$	Left rotor force coefficient	ND
$C_{RFR}$	Right rotor force coefficient	ND
$W_i \Big _{R/WL}$	Induced velocity at the left wing in mast axis due to the rotor	ft/sec
$W_i \Big _{R/WR}$	Induced velocity at the right wing in mast axis due to the rotor	ft/sec
$U_i \Big _{R/H}^B$	Induced x-velocity at the horizontal stabilizer in body axis due to the rotor	ft/sec
$W_i \Big _{R/H}^B$	Induced z-velocity at the horizontal stabilizer in body axis due to the rotor	ft/sec
$U_i \Big _{R/V}^B$	Induced x-velocity at the vertical fin in body axis due to the rotor	ft/sec
$W_i \Big _{R/V}^B$	Induced z-velocity at the vertical fin in body axis due to the rotor	ft/sec

## EQUATIONS

### SUBSYSTEM 2--ROTOR-INDUCED VELOCITIES

A. Rotor Wake

Right Rotor

$$R_{WR} = R \left\{ 0.78 + 0.22 \left[ \exp^{-\left(0.3 + 2Z \sqrt{C_{RFR} + 60 C_{RFR}}\right)} \right] \right\}$$

Where,

$$Z = \frac{(WR_{HUB} - WR_W)_{\beta_m=0}}{12R} = \frac{l_m}{R}$$

$$C_{RFR} = \frac{(T_R^2 + H_R^2 + Y_R^2)^{1/2}}{\rho \pi \Omega_R^2 R^4}$$

(For left rotor, replace subscript R with L)

B. Rotor Wake at Wing, Horizontal Stabilizer and Vertical Stabilizer in Mast Axes

Note: For rotor wake effects on the horizontal stabilizer and on the vertical stabilizer, the values of the average induced velocity will be used.

1. Wing

$$W_i |_{R/WR} = (K_0 + K_1 \mu_R + K_2 \mu_R^2 + K_3 \lambda_R + K_4 \lambda_R^2) (W_{iR})$$

$$W_i |_{R/WL} = (K_0 + K_1 \mu_L + K_2 \mu_L^2 + K_3 \lambda_L + K_4 \lambda_L^2) (W_{iL})$$

EQUATIONS (CONTINUED)

SUBSYSTEM 2--ROTOR-INDUCED VELOCITIES

2. Horizontal Stabilizer

$$W_i |_{R/H} = \left( \frac{W_i |_{R/H}}{W_{iL}} \right) (K_{H\beta}) [(W_{iL} + W_{iR})/2] \left( \frac{1}{\tau S + 1} \right)$$

Where,

$$\frac{W_i |_{R/H}}{W_{iL}} = f(\alpha_F, \beta_m, V_T)$$

$$\tau = \frac{l_{XRH}}{U}$$

$$K_{H\beta} = f(\beta_F, \beta_m)$$

$$l_{XRH} = [SL_H - (SL_{SP} - l_m \sin \beta_m)] \left( \frac{1}{12} \right)$$

3. Vertical Stabilizer

$$W_i |_{R/V} = \left( \frac{W_i |_{R/H}}{W_{iL}} \right) [(W_{iL} + W_{iR})/2] \left( \frac{1}{\tau S + 1} \right)$$

C. Components of Rotor Wake in Body Axes

1. Wing--Right Rotor

$$U_i |_{R/WR}^B = (W_i |_{R/WR}) (\sin \beta_m)$$

$$W_i |_{R/WR}^B = (-W_i |_{R/WR}) (\cos \beta_m)$$

(For left rotor, replace subscript R with L)

EQUATIONS (CONCLUDED)

SUBSYSTEM 2--ROTOR-INDUCED VELOCITIES

2. Horizontal Stabilizer

$$U_i |_{R/H}^B = (W_i |_{R/H}) (\sin \beta_m)$$

$$W_i |_{R/H}^B = (-W_i |_{R/H}) (\cos \beta_m)$$

3. Vertical Stabilizer

$$U_i |_{R/V}^B = (W_i |_{R/V}) (\sin \beta_m)$$

$$W_i |_{R/V}^B = (-W_i |_{R/V}) (\cos \beta_m)$$





**SUBSYSTEM NO. 3: FUSELAGE AERODYNAMICS**

Inputs: Variables

<u>Symbol</u>	<u>Description</u>	<u>Units</u>
$V_T$	Total linear velocity of the rotorcraft c.g. with respect to the air	ft/sec
$\alpha_F$	Fuselage angle of attack	rad
$\beta_F$	Fuselage sideslip angle	rad
$\rho$	Air density	slug/ft <sup>3</sup>
$M_N$	Mach number	ND

Inputs: Constants, Coefficients, and Data Tables

LLANG	Extra fuselage lift	ft <sup>2</sup>
DLANG	Extra fuselage drag	ft <sup>2</sup>
LBFO	Fuselage lift at $\alpha = 0$ deg, $\beta = 0$ deg	ft <sup>2</sup>
DBFO	Fuselage drag at $\alpha = 0$ deg, $\beta = 0$ deg	ft <sup>2</sup>
MBFO	Fuselage pitching moment at $\alpha = 0$ deg, $\beta = 0$ deg	ft <sup>3</sup>
$L_\alpha$	Fuselage lift variation with angle of attack, = $f(\alpha)$	ft <sup>2</sup>
$L_\beta$	Fuselage lift variation with sideslip angle, = $f(\beta)$	ft <sup>2</sup>
$D_\alpha$	Fuselage drag variation with angle of attack, = $f(\alpha)$	ft <sup>2</sup>
$D_\beta$	Fuselage drag variation with sideslip angle, = $f(\beta)$	ft <sup>2</sup>

SUBSYSTEM NO. 3—FUSELAGE AERODYNAMICS (Concluded)

Inputs: Constants, Coefficients, and Data Tables (Concluded)

<u>Symbol</u>	<u>Description</u>	<u>Units</u>
$M_\alpha$	Fuselage pitching moment variation with angle of attack, = $f(\alpha)$	ft <sup>3</sup>
$M_\beta$	Fuselage pitching moment variation with sideslip angle, = $f(\beta)$	ft <sup>3</sup>
$Y_\beta$	Fuselage side force variation with sideslip angle, = $f(\beta)$	ft <sup>2</sup>
$l_\beta$	Fuselage rolling moment variation with sideslip angle, = $f(\beta)$	ft <sup>3</sup>
$N_\beta$	Fuselage yawing moment variation with sideslip angle, = $f(\beta)$	ft <sup>3</sup>

Outputs:

$L_F$	Aerodynamic lift on fuselage (wind axis)	lb
$D_F$	Aerodynamic drag on fuselage (wind axis)	lb
$Y'_F$	Aerodynamic side force on fuselage (wind axis)	lb
$M'_F$	Aerodynamic pitching moment on fuselage (wind axis)	ft-lb
$l'_F$	Aerodynamic rolling moment on fuselage (wind axis)	ft-lb
$N'_F$	Aerodynamic yawing moment on fuselage (wind axis)	ft-lb
$q_F$	Fuselage dynamic pressure	lb/ft <sup>2</sup>

## EQUATIONS

### SUBSYSTEM 3--FUSELAGE AERODYNAMICS

#### A. Fuselage Dynamic Pressure

$$q_F = \frac{1}{2} \rho V_T^2$$

#### B. Fuselage Forces

$$L_F = q_F \left[ \left( L_\alpha |_{\beta_F=0 \text{ deg}} \right) \cos^2 \beta_F + L_\beta + \text{LBFO} + \text{LLANG} \right]$$

$$D_F = q_F \left[ \left( D_\alpha |_{\beta_F=0 \text{ deg}} \right) \cos^2 \beta_F + D_\beta + \text{DBFO} + \text{DLANG} \right]$$

$$Y'_F = q_F (Y_\beta)$$

#### C. Fuselage Moments

$$M'_F = q_F \left[ \left( M_\alpha |_{\beta_F=0} \right) \cos^2 \beta_F + M_\beta + \text{MBFO} \right]$$

$$l'_F = q_F (l_\beta)$$

$$N'_F = q_F (N_\beta)$$

Note: for landing gear pod drag, see Subsystem 7

4		WING-PYLON AERODYNAMICS	
Inputs: Variables		Outputs:	
<u>From Subsystem</u>	<u>Symbol</u>	<u>To Subsystem</u>	<u>Symbol</u>
1	$W_{iL}$	5	$\epsilon_{W/H}$
	$W_{iR}$	10a	$\alpha_{iWL}$
2	$U_i \left  \begin{array}{l} B \\ R/WL \end{array} \right.$		$\alpha_{iWR}$
	$W_i \left  \begin{array}{l} B \\ R/WL \end{array} \right.$		$\beta_{iWL}$
	$R_{WL}$		$\beta_{iWR}$
	$U_i \left  \begin{array}{l} B \\ R/WR \end{array} \right.$		$L_{iWPL}$
	$W_i \left  \begin{array}{l} B \\ R/WR \end{array} \right.$		$L_{iWPR}$
	$R_{WR}$		$D_{iWPL}$
	$C_{RFL}$		$D_{iWPR}$
	$C_{RFR}$		$\alpha_{WFS}$
	$W_i \left  \begin{array}{l} B \\ R/WL \end{array} \right.$		$L_{WP}$
	$W_i \left  \begin{array}{l} B \\ R/WR \end{array} \right.$		$D_{WP}$
1	$\mu_L$		$M_{WP}$
	$\mu_R$		$Y_{WP}$
8a	$\beta_m$		$I_{WP}$
	$\delta_F$		$N_{WP}$
	$\delta_a$		SD
12	$V_T$		$D_{PYLN}$
	$\alpha_F$		$D_{PLAT}$
	$\beta_F$		$\alpha_{PLAT}$
			$\beta_{PLAT}$
			$\alpha_{SP}$
			$\beta_{SP}$

(Continued on next page)

SUBSYSTEM NO. 4--WING-PYLON AERODYNAMICS (Continued)

Inputs: Variables		Outputs:	
<u>From Subsystem</u>	<u>Symbol</u>	<u>To Subsystem</u>	<u>Symbol</u>
12 (concl)	U V W	14	$(X_{iW}, Y_{iW})_R$
15	$\rho$		$(X_{iW}, Y_{iW})_L$
11	$M_N$ P q r		

Inputs: Constants, Coefficients, and Data Tables

Constants:  $l_m, SL_{WP}, SL_{SP}, BL_{SP}, BL_{CG}, SL_{WTE}, S_W, c_W, b_W,$   
 $A_W, S_{PYL}, \phi_m$

Coefficients:  $C_{Y\beta}|_{M_N=0}, \frac{C_{Yp}}{C_{LWP}}|_{M_N=0}, C_{Yr}|_{M_N=0}$   
 $C_{I_p}|_{C_{LWP}=M_N=0}, \frac{C_{I_r}}{C_{LWP}}|_{M_N=0}$   
 $\frac{\Delta C_{I_r}}{(\partial \alpha_{WFS} / \partial \delta_F)(\delta_F)}, C_{I_{\delta_a}}|_{\alpha_{WFS} < 8 \text{ deg}, \delta_F = 0 \text{ deg}}$   
 $C_{n\beta}|_{C_{LWP}=M_N=0}, \frac{C_{n\beta}}{C_{LWPFS}^2}|_{M_N=0}, \frac{C_{nr}}{C_{LWP}^2}, \frac{C_{nr}}{C_{D_{oWP}}}$   
 $\frac{C_{np}}{C_{LWP}}|_{M_N=0}, (\partial \alpha_{WFS} / \partial \delta_F), K_{np}, K_{RW}, K_{XRW},$   
 $X_{RWO}, X_{RW1}, X_{RW2}, K_{FWO}, K_{FWDF}, (SD/q)_{\beta_m=90}, (SD/q)$

(Continued on next page)

SUBSYSTEM NO. 4--WING-PYLON AERODYNAMICS (Continued)

Inputs: Constants, Coefficients, and Data Tables (Continued)

Data Tables:	$C_{LWP} = f(\alpha_W, \beta_m, \delta_F, M_N)$	Tables 4-I, 4-II
	$C_{DWP} = f(\alpha_W, \beta_m, \delta_F, M_N)$	Tables 4-III, 4-IV
	$\epsilon_{W/HOGE} = f(\alpha_{WFS}, \beta_m, \delta_F)$	Table 4-V
	$C_{1\beta}  _{C_{LWP}=M_N=0} = f(\delta_F, \beta_F, \beta_m)$	Table 4-VI
	$\frac{C_{1\beta}}{C_{LWP}}  _{M_N=0} = f(\delta_F, \beta_F, \beta_m)$	Table 4-VII
	$C_{mWP} = f(\delta_F, \beta_m)$	Table 4-VIII
	$\frac{\partial C_{LWPFS}}{\partial \alpha_{WFS}}  _{C_{LWP}=0} = f(M_N, \beta_m, \delta_F)$	Table 4-IX
	$C_{D_oWP}  _{C_{LWP}=0} = f(M_N, \beta_m, \delta_F)$	Table 4-X
	$K_{1\delta_a} = f(\alpha_{WFS}, \beta_m, \delta_F)$	Table 4-XI
	$C_{L\delta_a} = f(\delta_F)$	Table 4-XII

(Concluded on next page)

SUBSYSTEM NO. 4--WING-PYLON AERODYNAMICS (Concluded)

Inputs: Constants, Coefficients, and Data Tables (Concluded)

Data Tables:  $K_{n\delta_a} = f(\delta_F, \beta_m)$  Table 4-XIII  
(Concluded)

$K_{n\delta_a} = f(\delta_F, \beta_m)$  Table 4-XIV

$D_{PYINT} = f(\beta_m)$  Table 4-XV

$K_{PLAT} = f(\bar{\alpha}_{PYL})$  Table 4-XVI



SUBSYSTEM NO. 4--WING-PYLON AERODYNAMICS

Inputs: Variables

Symbol	Description	Units
$W_{iL}$	Mast axis uniform component of induced velocity at left rotor (+ downward in helicopter mode)	ft/sec
$W_{iR}$	Mast axis uniform component of induced velocity at right rotor (+ downward in helicopter mode)	ft/sec
$U_i \Big _{R/WL}^B$	Induced x-velocity at the left wing in body axis due to the rotor	ft/sec
$W_i \Big _{R/WL}^B$	Induced z-velocity at the left wing in body axis due to the rotor	ft/sec
$R_{WL}$	Left rotor wake contraction ratio	ND
$U_i \Big _{R/WR}^B$	Induced x-velocity at the right wing in body axis due to the rotor	ft/sec
$W_i \Big _{R/WR}^B$	Induced z-velocity at the right wing in body axis due to the rotor	ft/sec
$R_{WR}$	Right rotor wake contraction ratio	ND
$C_{RFL}$	Left rotor force coefficient	ND
$C_{RFR}$	Right rotor force coefficient	ND
$W_i \Big _{R/WL}$	Induced velocity at the left wing in mast axis due to the rotor	ft/sec
$W_i \Big _{R/WR}$	Induced velocity at the right wing in mast axis due to the rotor	ft/sec
$\mu_L$	Left rotor tip speed (advance) ratio	ND
$\mu_R$	Right rotor tip speed (advance) ratio	ND

SUBSYSTEM NO. 4--WING-PYLON AERODYNAMICS (Continued)

Inputs: Variables (Concluded)

Symbol	Description	Units
$\beta_m$	Mast conversion angle (+ fwd, 0 deg = vertical or helicopter, 90 deg = horizontal or airplane)	deg
$\delta_F$	Flap position indicator	ND
$\delta_a$	Aileron mean deflection angle (+ right aileron up)	deg
$V_T$	Total linear velocity of the aircraft c.g. with respect to the air	ft/sec
$\alpha_F$	Fuselage freestream angle of attack	deg
$\beta_F$	Fuselage freestream sideslip angle	deg
U	x-velocity (longitudinal) of the aircraft c.g. in body axis with respect to the air	ft/sec
V	y-velocity (lateral) of the aircraft c.g. in body axis with respect to the air	ft/sec
W	z-velocity (vertical) of the aircraft c.g. in body axis with respect to the air	ft/sec
$\rho$	Air density	slug/ft <sup>3</sup>
$M_N$	Mach number	ND
p	Body axis roll rate	rad/sec
q	Body axis pitch rate	rad/sec
r	Body axis yaw rate	rad/sec
$l_m$	Mast length	ft
$SL_{WP}$	Station line of the wing-pylon center of pressure	inch

SUBSYSTEM NO. 4--WING-PYLON AERODYNAMICS (Continued)

Inputs: Constants, Coefficients, and Data Tables

Symbol	Description	Units
$SL_{SP}$	Station line of engine nacelle shaft pivot point	inch
$BL_{SP}$	Butt line of engine nacelle shaft pivot point	inch
$BL_{CG}$	Butt line of c.g.	inch
$SL_{WTE}$	Station line of wing trailing edge	inch
$S_W$	Wing area	ft <sup>2</sup>
$c_W$	Wing chord	ft
$b_W$	Wing span	ft
$\Lambda_w$	Wing quarter chord sweep angle	deg
$S_{PYL}$	Projected lateral pylon area	ft <sup>2</sup>
$\phi_m$	Lateral mast tilt	deg
$C_{Y\beta}  _{M_N=0}$	Aerodynamic coefficient in the wing side force equation	1/rad
$\frac{C_{Yp}}{C_{LWP}}  _{M_N=0}$	Aerodynamic coefficient in the wing side force equation	1/rad
$C_{Yr}  _{M_N=0}$	Aerodynamic coefficient in the wing side force equation	1/rad
$C_{lp}  _{C_{LWP}=M_N=0}$	Aerodynamic coefficient in the wing rolling moment equation	1/rad
$\frac{C_{lr}}{C_{LWP}}  _{M_N=0}$	Aerodynamic coefficient in the wing rolling moment equation	1/rad
$\frac{\Delta C_{lr}}{(\partial \alpha_{WFS} / \partial \delta_F)(\delta_F)}$	Aerodynamic coefficient in the wing rolling moment equation	1/deg

SUBSYSTEM NO. 4--WING-PYLON AERODYNAMICS (Continued)

Inputs: Constants, Coefficients, and Data Tables (Continued)

Symbol	Description	Units
$C_{l_{\delta_a}} \Big _{\substack{\delta_f=0 \text{ deg} \\ \alpha_{WFS}<8 \text{ deg}}}$	Aerodynamic coefficient in the wing rolling moment equation	1/deg
$C_{n_{\beta}} \Big _{C_{L_{WP}}=M_N=0}$	Aerodynamic coefficient in the wing yawing moment equation	1/rad
$\frac{C_{n_{\beta}}}{C_{L_{WPFS}}^2} \Big _{M_N=0}$	Aerodynamic coefficient in the wing yawing moment equation	1/rad
$\frac{C_{n_r}}{C_{L_{WP}}^2}$	Aerodynamic coefficient in the wing yawing moment equation	1/rad
$\frac{C_{n_r}}{C_{D_{oWP}}}$	Aerodynamic coefficient in the wing yawing moment equation	1/rad
$\frac{C_{n_p}}{C_{L_{WP}}} \Big _{M_N=0}$	Aerodynamic coefficient in the wing yawing moment equation	1/rad
$\frac{\partial \alpha_{WFS}}{\partial \delta_f}$	Partial of wing angle of attack with respect to partial of flap deflection	ND
$K_{np}$	Wing yawing moment equation constant	ND
$K_{RW}$	Rotor skew angle velocity distribution factor	ND
$K_{XRW}$	Constant in the rotor downwash/wing equation	ND
$X_{RWO}$	Constant in the rotor downwash/wing equation	ND
$X_{RW1}$	Constant in the rotor downwash/wing equation	1/deg
$X_{RW2}$	Constant in the rotor downwash/wing equation	1/deg <sup>2</sup>

SUBSYSTEM NO. 4--WING-PYLON AERODYNAMICS (Continued)

Inputs: Constants, Coefficients, and Data Tables (Continued)

Symbol	Description	Units
$K_{FWO}$	Constant in the rotor downwash/wing equation for flap effects	ND
$K_{FWDF}$	Slope in the rotor downwash/wing equation for flap effects	1/deg
$(SD/q)_{\beta_m=90}$	Constant for drag of the spinner at 90 degrees of mast conversion angle	ft <sup>2</sup>
$(SD/q)$	Constant in the variable drag portion of the spinner drag equation (function of mast angle)	ft <sup>2</sup>
$C_{LWP}$	Wing-pylon lift coefficient, $= f(\alpha_w, \beta_m, \delta_F, M_N)$	ND
$C_{DWP}$	Wing-pylon drag coefficient, $= f(\alpha_w, \beta_m, \delta_F, M_N)$	ND
$\epsilon_{W/H}$	Wing wake deflection at the horizontal stabilizer, $f(\alpha_{WFS}, \beta_m, \delta_F, M_N)$	ND
$C_{I\beta}  _{C_{LWP}=M_N=0}$	Aerodynamic coefficient in the wing rolling moment equation, $= f(\delta_F, \beta_F, \beta_m)$	1/rad
$\frac{C_{I\beta}}{C_{LWP}}  _{M_N=0}$	Aerodynamic coefficient in the wing rolling moment equation, $= f(\delta_F, \beta_F, \beta_m)$	1/rad
$C_{mWP}$	Wing-pylon pitching moment coefficient, $= f(\delta_F, \beta_m)$	ND
$\frac{\partial C_{LWP}}{\partial \alpha_w}  _{C_{LWP}=0}$	Partial of wing coefficient of lift with respect to angle of attack, $= f(M_N, \beta_m, \delta_F)$	ND

SUBSYSTEM NO. 4--WING-PYLON AERODYNAMICS (Continued)

Inputs: Constants, Coefficients, and Data Tables (Concluded)

Symbol	Description	Units
$C_{D_{oWP}}  _{C_{L_{WP}}=0}$	Wing coefficient of drag at wing coefficient of lift equal to zero, $= f(M_N, \beta_m, \delta_F)$	ND
$K_{l\delta_a}$	Aileron effectiveness correction factor, $= f(\alpha_{WFS}, \beta_m, \delta_F)$	ND
$C_{L\delta_a}$	Aerodynamic coefficient for the wing lift coefficient reduction due to aileron deflection, $= f(\delta_F)$	1/deg
$K_{no\delta_a}$	Yawing moment (aileron) coefficient, $= f(\delta_F, \beta_m)$	1/deg
$K_{n\delta_a}$	Yawing moment (aileron) coefficient, $= f(\delta_F, \beta_m)$	ND
$D_{PYINT}$	Pylon interference drag, $= f(\beta_m)$	ft <sup>2</sup>
$K_{PLAT}$	Pylon lateral drag coefficient, $= f(\bar{\alpha}_{PYL})$	ND

Outputs:

$\epsilon_{W/H}$	Wing wake deflection at the horizontal stabilizer, $= f(\alpha_{WFS}, \beta_m, \delta_F, M_N)$	ND
$\alpha_{iWL}$	Angle of attack of the wing portion immersed in the left rotor wake	deg
$\alpha_{iWR}$	Angle of attack of the wing portion immersed in the right rotor wake	deg
$\beta_{iWL}$	Sideslip angle of the wing portion immersed in the left rotor wake	deg

SUBSYSTEM NO. 4--WING-PYLON AERODYNAMICS (Continued)

Outputs: (Continued)

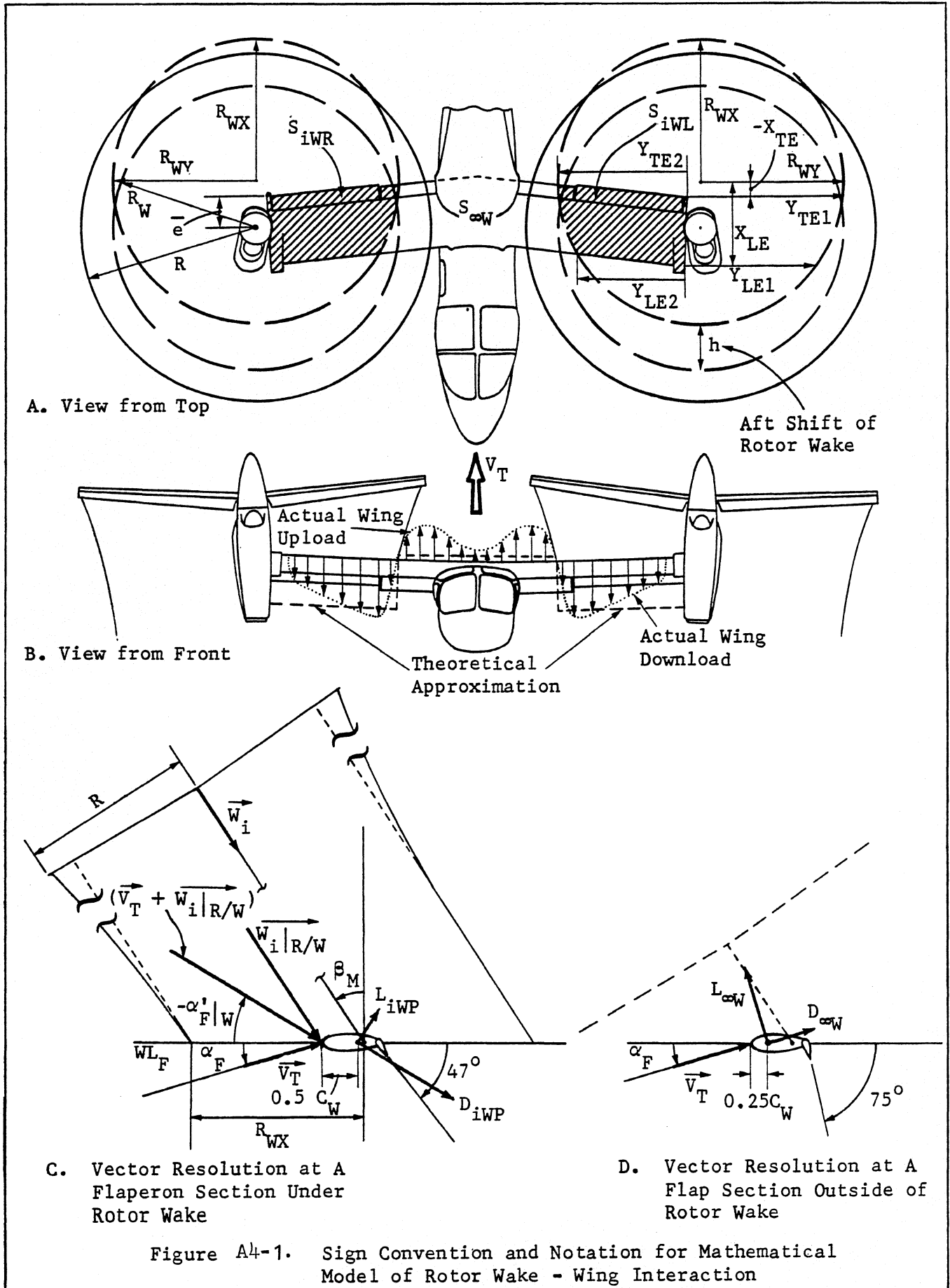
Symbol	Description	Units
$\beta_{iWR}$	Sideslip angle of the wing portion immersed in the right rotor wake	deg
$L_{iWPL}$	Aerodynamic lift of the left wing portion immersed in the rotor wake	lb
$L_{iWPR}$	Aerodynamic lift of the right wing portion immersed in the rotor wake	lb
$D_{iWPL}$	Aerodynamic drag of the left wing portion immersed in the rotor wake	lb
$D_{iWPR}$	Aerodynamic drag of the right wing portion immersed in the rotor wake	lb
$\alpha_{WFS}$	Angle of attack of the wing portion outside the rotor wake (freestream)	rad
$L_{WP}$	Aerodynamic lift on the wing portion outside the rotor wake (freestream)	lb
$D_{WP}$	Aerodynamic drag on the wing portion outside the rotor wake (freestream)	lb
$M'_{WP}$	Pitching moment of the wing-pylon in wind axis	ft-lb
$Y'_{WP}$	Side force of the wing-pylon in wind axis	lb
$l'_{WP}$	Rolling moment of the wing-pylon in wind axis	ft-lb
$N'_{WP}$	Yawing moment of the wing-pylon in wind axis	ft-lb
SD	Spinner drag	lb
$D_{PYLN}$	Pylon interference drag	lb
$D_{PLAT}$	Pylon drag due to sideslip	lb

SUBSYSTEM NO. 4--WING-PYLON AERODYNAMICS (Concluded)

Outputs: (Concluded)

Symbol	Description	Units
$\alpha_{PLAT}$	Pylon angle of attack used for transformation from wind to body axis	rad
$\beta_{PLAT}$	Pylon sideslip angle used for transformation from wind to body axis	rad
$\alpha_{SP}$	Spinner angle of attack used for transformation from wind to body axis	rad
$\beta_{SP}$	Spinner sideslip angle used for transformation from wind to body axis	rad
$(X_{iW}, Y_{iW})_R$	Moment arms for right wing-pylon z-force due to rotor wake	inch
$(X_{iW}, Y_{iW})_L$	Moment arms for left wing-pylon z-force due to rotor wake	inch





A. View from Top

Aft Shift of Rotor Wake

B. View from Front

Theoretical Approximation

C. Vector Resolution at a Flaperon Section Under Rotor Wake

D. Vector Resolution at a Flap Section Outside of Rotor Wake

Figure A4-1. Sign Convention and Notation for Mathematical Model of Rotor Wake - Wing Interaction

## EQUATIONS

### SUBSYSTEM NO. 4--WING-PYLON AERODYNAMICS

#### A. Wing Aerodynamics Affected by the Rotor Wake

Note: In this subsystem, K is used frequently as a dummy subscript when describing the equations utilized in calculating the portion of a tilt rotor wing that is affected by the rotor wake. The subscript is replaced by R and L when computing the right and left portions of the affected wing area ( $S_{iWR}$  and  $S_{iWL}$ ).

1. Initialization of values for the calculation of the portion of the wing being affected by the rotor induced velocity.

If

$$\cos \beta_m = 0,$$

$$G = 1.5708 = \pi/2$$

Otherwise,

$$G = \tan^{-1}[(\cos \phi_m)(\sin \beta_m / \cos \beta_m)]$$

$$SG = \sin(G)$$

$$CG = \cos(G)$$

$$ZL = (I_m)(\cos \phi_m)(CG)$$

2. Velocities at the Wing

$$U_{WK} = -(U + W_i |_{R/WK})(SG)$$

$$W_{WK} = -W + (W_i |_{R/WK})(\cos \phi_m)(CG)$$

If  $W_{WK} < 0.0001$ , then  $W_{WK} = 0.0001$

$$V_{WR} = V + (W_i |_{R/WR})(\sin \phi_m)(CG)$$

EQUATIONS (Continued)

SUBSYSTEM NO. 4--WING-PYLON AERODYNAMICS

2. Velocities at the Wing (Concluded)

$$V_{WL} = -V + (W_i |_{R/WL})(\sin \phi_m)(CG)$$

if

$$\max\left(\left|\frac{U_{WK}}{W_{WK}}\right|, \left|\frac{V_{WK}}{W_{WK}}\right|\right) > 100.0, \text{ then}$$

$$\frac{U_{WK}}{W_{WK}} = \left(\frac{U_{WK}}{W_{WK}}\right) \left(\frac{110.0}{\max\left(\left|\frac{U_{WK}}{W_{WK}}\right|, \left|\frac{V_{WK}}{W_{WK}}\right|\right)}\right)$$

$$\frac{V_{WK}}{W_{WK}} = \left(\frac{V_{WK}}{W_{WK}}\right) \left(\frac{100.0}{\max\left(\left|\frac{U_{WK}}{W_{WK}}\right|, \left|\frac{V_{WK}}{W_{WK}}\right|\right)}\right)$$

3. Wing Geometry Information

$$\bar{\epsilon} = \left(\frac{SL_{WTE} - SL_{SP}}{12}\right)$$

$$X_{TEK} = -\bar{\epsilon} - [(I_m)(SG)] - \left(\frac{U_{WK}}{W_{WK}}\right) [(ZL)(K_{RW})]$$

$$X_{LEK} = c_w + X_{TEK}$$

$$Y_{TIPK} = ZL \left\{ \sin \phi_m / \cos \phi_m - \left[ V_{WK} / \left[ (U_{WK}^2 + W_{WK}^2)^{1/2} (\text{sign})(W_{WK}) \right] \right] \right\}$$

$$R_{WKK} = R_{WK} \left\{ \left[ \left(\frac{U_{WK}}{W_{WK}}\right) (\sin \phi_m) \right]^2 + \left[ CG - \left(\frac{U_{WK}}{W_{WK}}\right) [(SG)(\cos \phi_m)] \right]^2 \right\}^{1/2}$$

EQUATIONS (Continued)

SUBSYSTEM NO. 4--WING-PYLON AERODYNAMICS

3. Wing Geometry Information (Concluded)

$$R_{WYK} = R_{WK} \left\{ \left[ \left( \frac{V_{WK}}{W_{WK}} \right) (SG * \cos \phi_m) - (SG * \sin \phi_m) \right]^2 + \left[ \cos \phi_m + \frac{V_{WK} \sin \phi_m}{(U_{WK}^2 + W_{WK}^2)^{1/2} * \text{sign}(W_{WK})} \right]^2 \right\}^{1/2}$$

$$\delta_k = \tan^{-1} \left[ \frac{\left( \frac{U_{WK}}{W_{WK}} \right) * \sin \phi_m}{CG - \left( \frac{U_{WK}}{W_{WK}} \right) (\cos \phi_m * SG)} \right] + \tan^{-1} \left[ \frac{V_{WK} * \sin \phi_m}{(U_{WK}^2 + W_{WK}^2)^{1/2} * \text{sign}(W_{WK})} \right]$$

$$F_{RWK} = \frac{R_{WYK}}{R_{WKK}}$$

$$SDEL_k = \sin \delta_k$$

$$CDEL_k = |\cos \delta_k|$$

4. Procedure for Calculating the Wing Areas  $S_{iWR}$  and  $S_{iWL}$

Under the Two Rotor Wakes

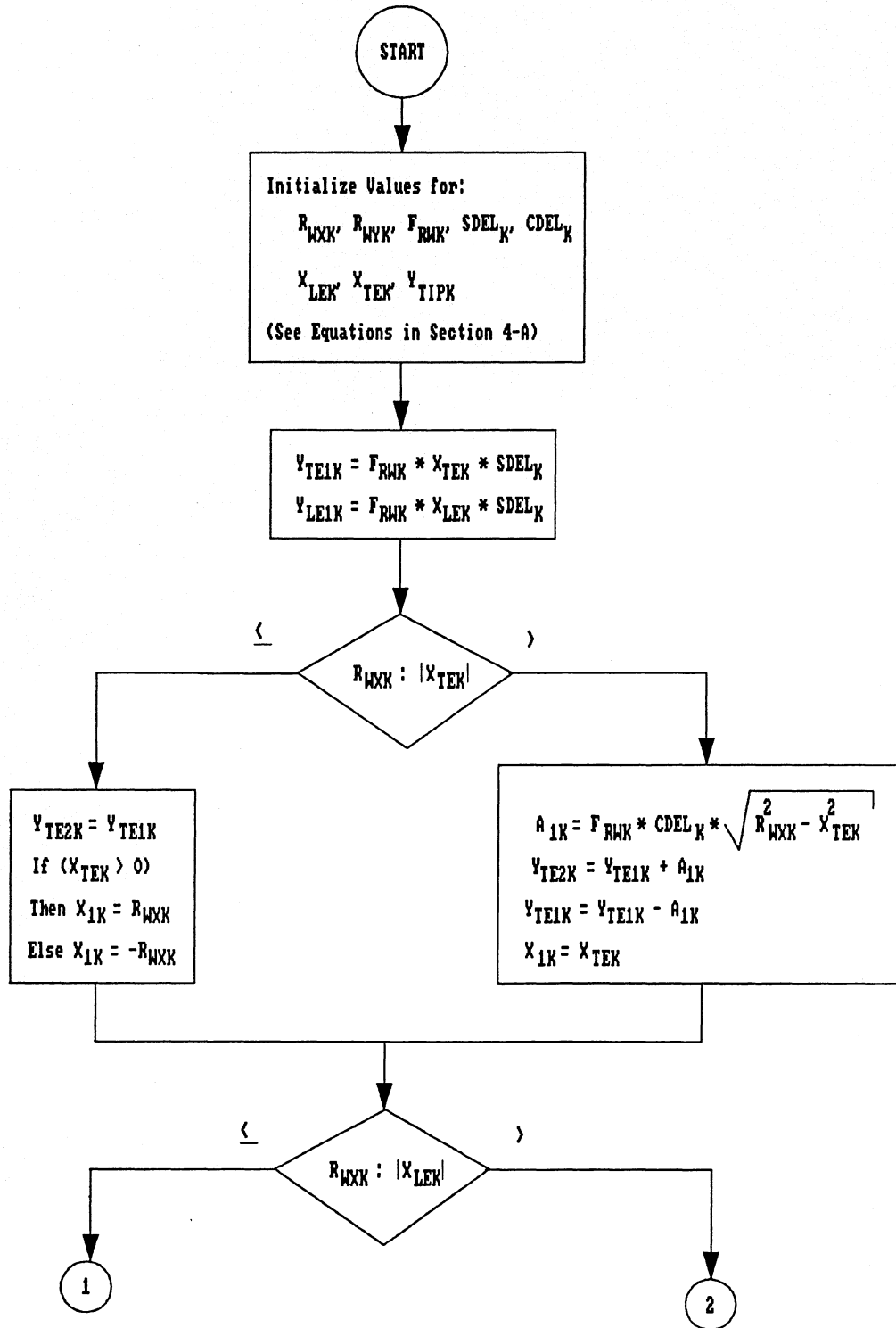
- a. If  $\beta_m > 30.0$ , then the procedure is bypassed and the affected areas are set to zero.

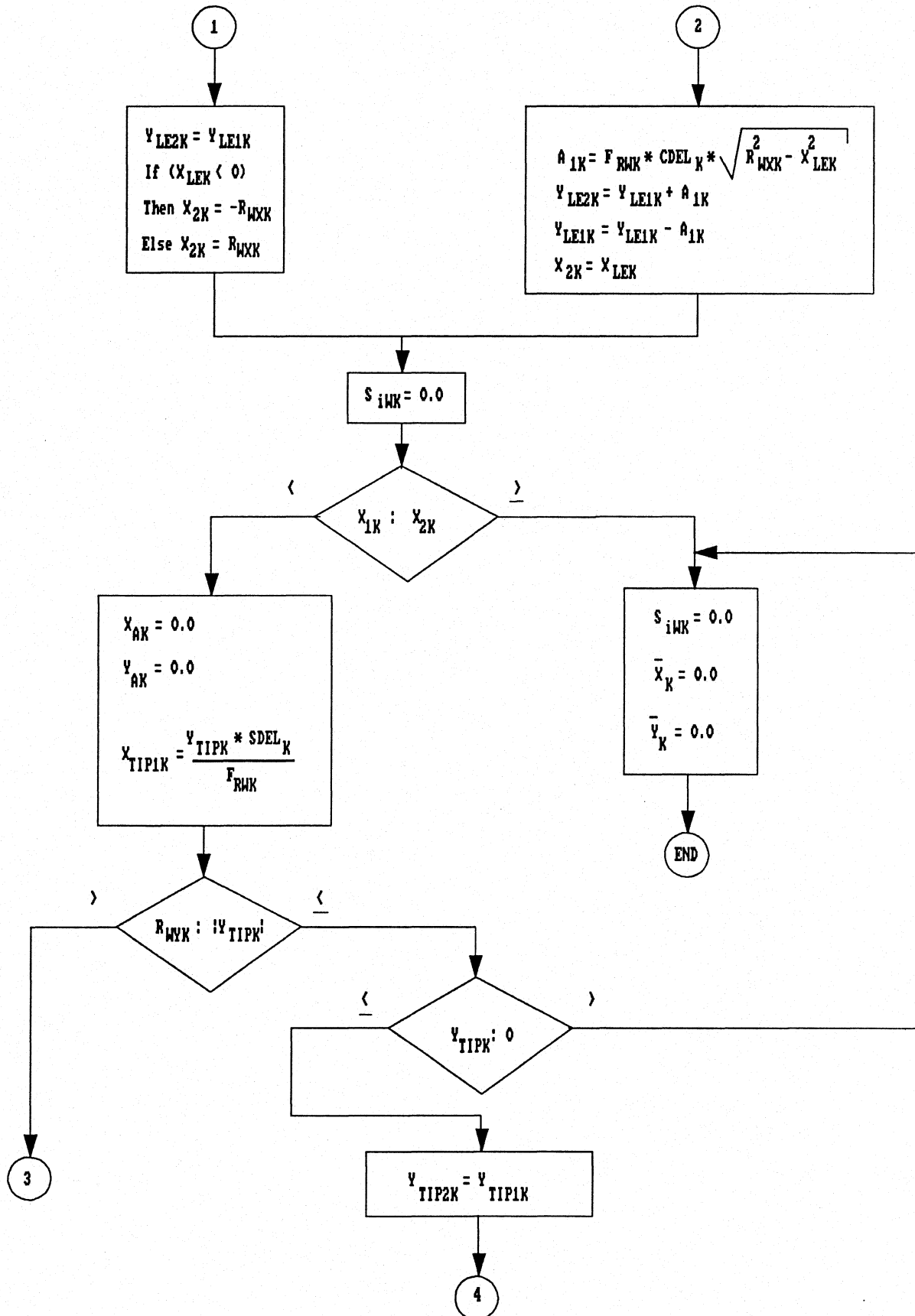
$$S_{iWL} = S_{iWR} = 0.0$$

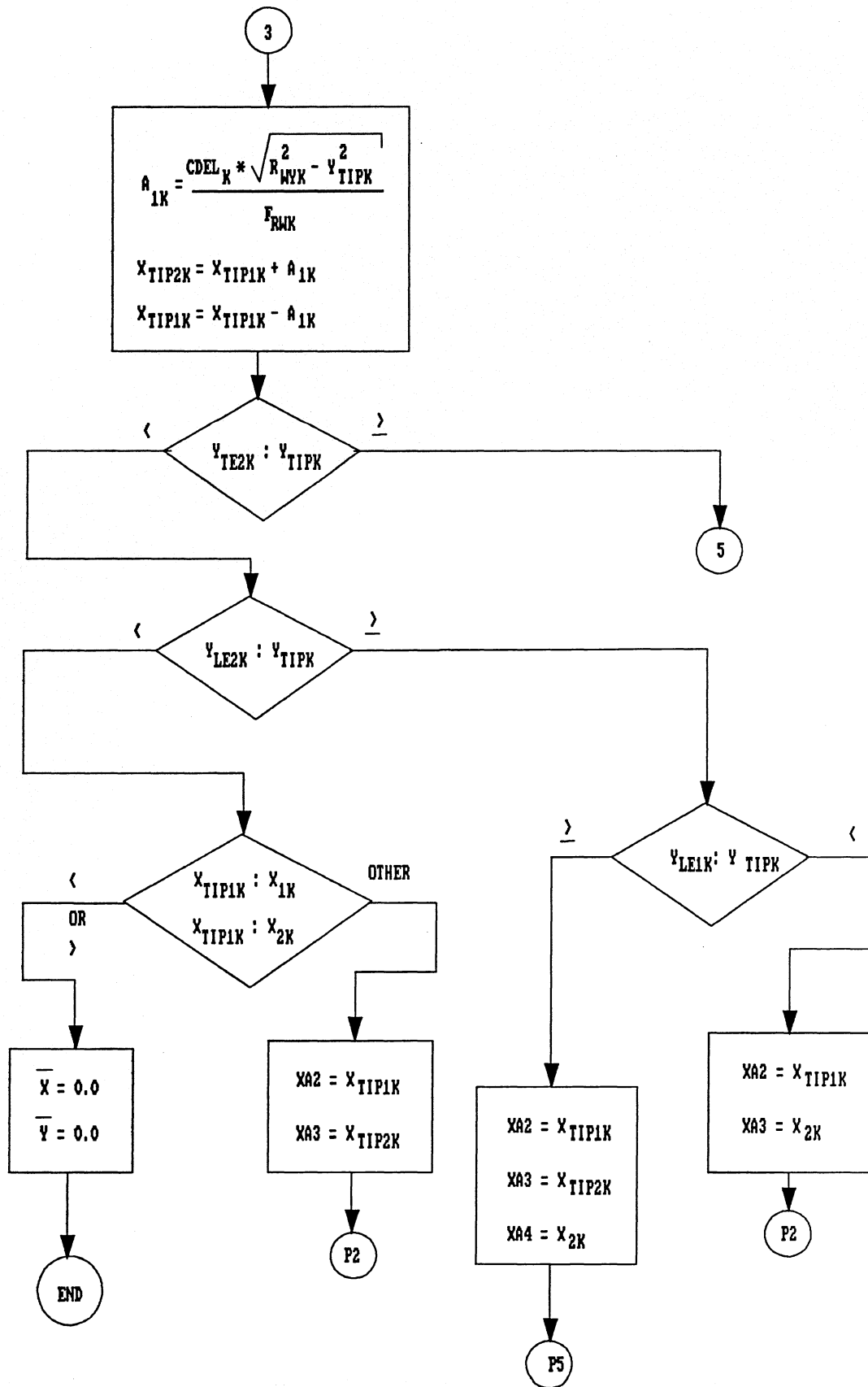
- b. If  $\beta_m \leq 30.0$ , then the procedure outlined in the flow chart of Fig. A4-2 is followed to determine the affected wing area and the location of application of forces and moments for the affected wing area ( $X_{iWK}$ ,  $Y_{iWK}$ ).

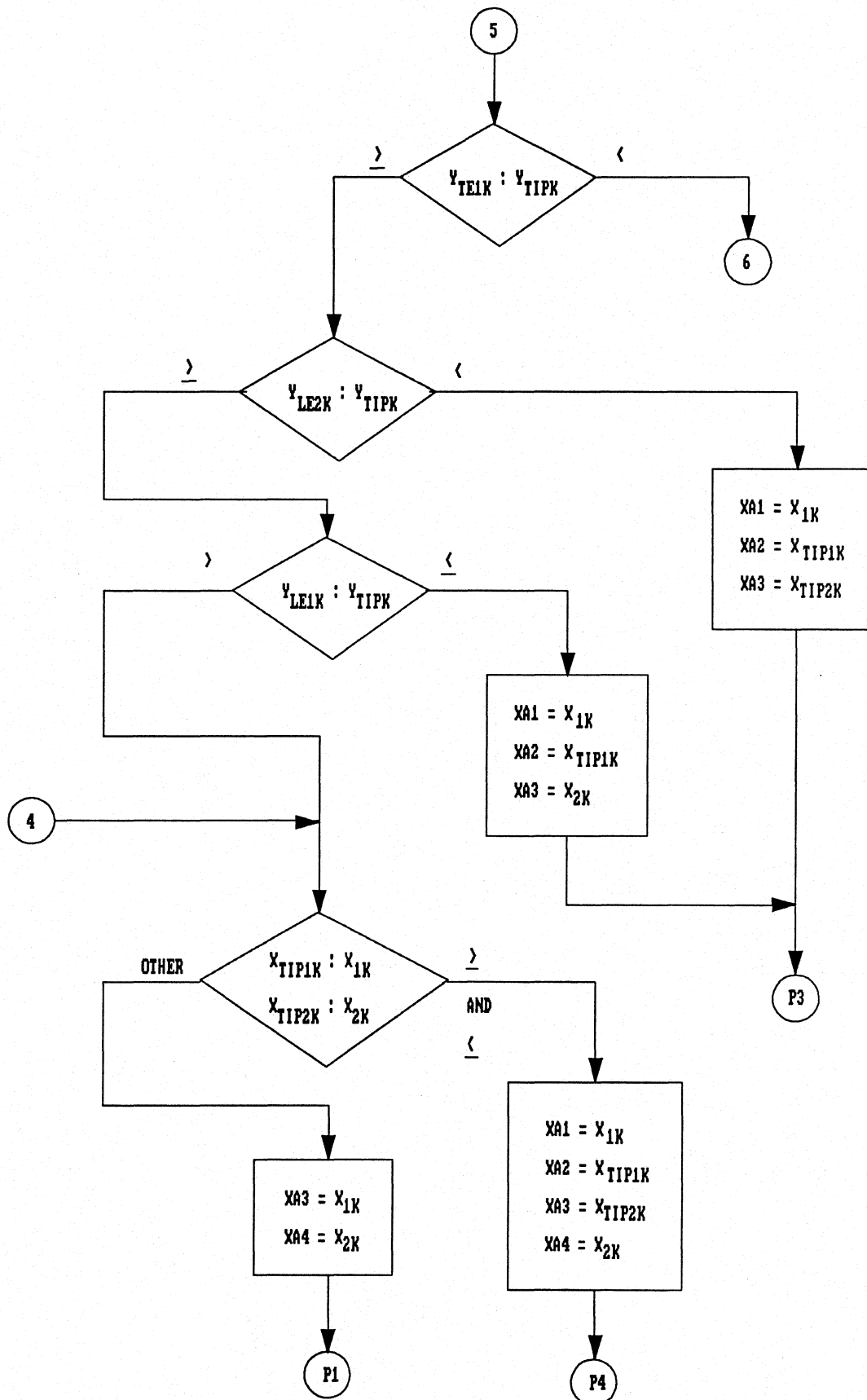
- c. F1(C1K, C2K) and F2(C1K, C2K) are procedures called in the flow chart of Fig. A4-2 which carry out most of the actual calculations of the affected wing area and the associated point of application of forces and moments. The equations used in these procedures are detailed in the next section.

Figure A4-2. Flow Chart of Tilt Rotor Wing Aerodynamics Affected by the Rotor Wake

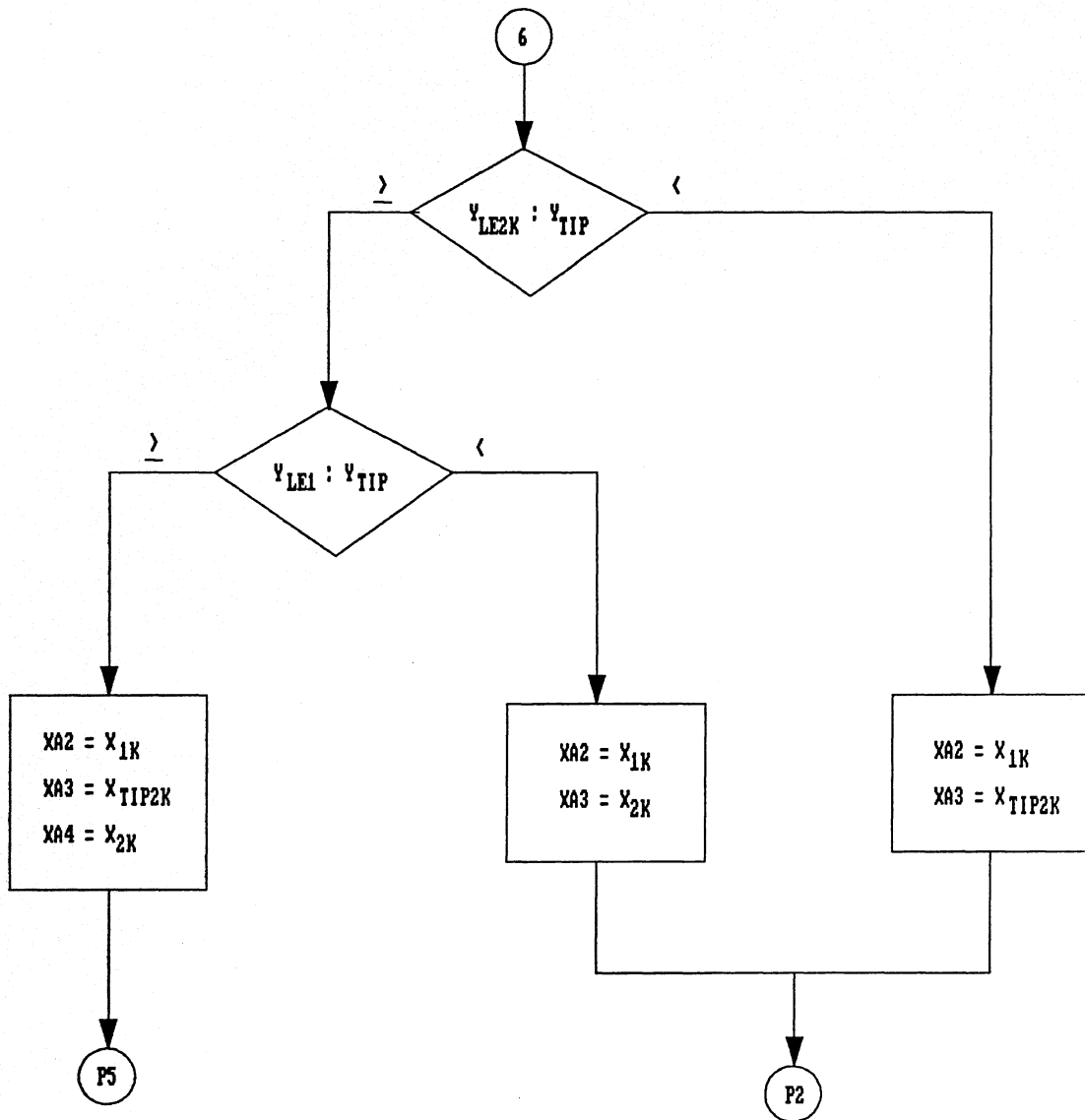


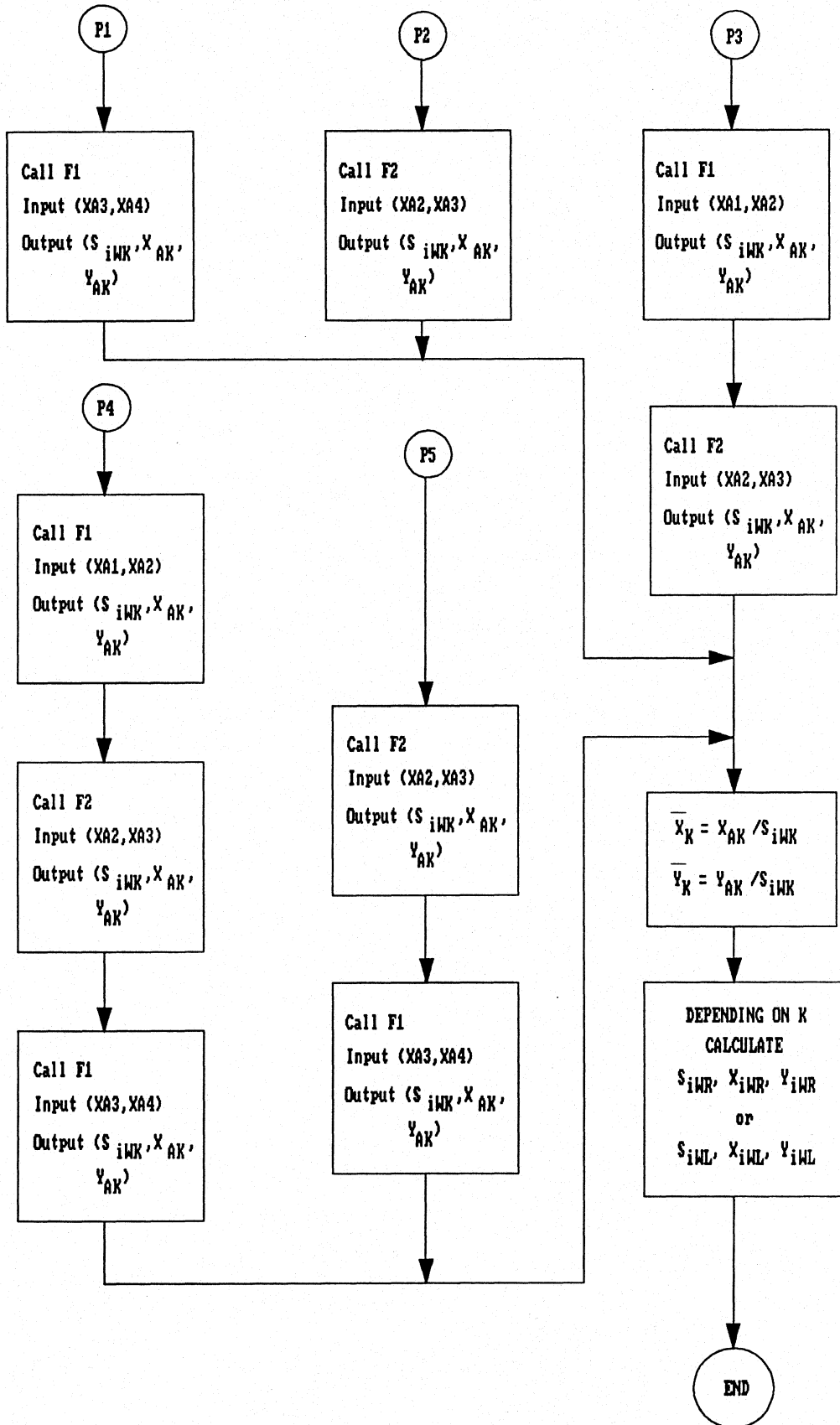












EQUATIONS (Continued)

SUBSYSTEM NO. 4--WING-PYLON AERODYNAMICS

5. Procedures F1(C1K,C2K) and F2(C1K,C2K)

(See Fig. A4-2 to determine values for C1K and C2K)

a. Procedure F1(C1K,C2K)

$$S_{iWK} = S_{iWK} + A_{iK}$$

$$X_{AK} = X_{AK} + XA_{iK}$$

$$Y_{AK} = Y_{AK} + (XA_{iK})(SDEL_K)(F_{RWK})$$

b. Procedure F2(C1K,C2K)

$$S_{iWK} = S_{iWK} + \frac{1}{2}(A_{iK} + (F_{RWK})(SDEL_K)(C2K^2 - C1K^2))$$

$$-(Y_{TIPK})(C2K - C1K)$$

$$X_{AK} = X_{AK} + \frac{1}{2}(XA_{iK}) + \frac{1}{3}(F_{RWK})(SDEL_K)(C2K^3 - C1K^3)$$

$$-\frac{1}{2}(Y_{TIPK})(C2K^2 - C1K^2)$$

$$Y_{AK} = Y_{AK} + F_{RWK}\left(\frac{1}{2}(XA_{iK})(SDEL_K) + \frac{1}{6}(F_{RWK})(SDEL_K^2 - CDEL_K^2)\right)$$

$$(C2K^3 - C1K^3) + \frac{1}{2}((R_{WYK} * CDEL_K)^2 - Y_{TIPK}^2)(C2K - C1K)$$

EQUATIONS (Continued)

SUBSYSTEM NO. 4--WING-PYLON AERODYNAMICS

c. Component Equations of Above Two Procedures

$$\theta_{C1K} = \sin^{-1} \left( \frac{C1K}{R_{WXX}} \right)$$

$$\theta_{C2K} = \sin^{-1} \left( \frac{C2K}{R_{WXX}} \right)$$

$$A_{1K} = (R_{WXX})(R_{WYK})(CDEL_K)(\sin \theta_{C2K} \cos \theta_{C2K} \\ - \sin \theta_{C1K} \cos \theta_{C1K} + \theta_{C2K} - \theta_{C1K})$$

$$XA_{1K} = -\frac{2}{3}(F_{RWK})(CDEL_K)((R_{WXX}^2 - C2K^2)^{3/2} - (R_{WXX}^2 - C1K^2)^{3/2})$$

6. Calculate Values for  $S_{iWK}$ ,  $X_{iWK}$ , and  $Y_{iWK}$

a.  $\bar{X}_K = X_{AK} / S_{iWK}$

$$\bar{Y}_K = Y_{AK} / S_{iWK}$$

b. If  $K = R$  (Right Wing)

$$S_{iWR} = S_{iWK}$$

$$X_{iWR} = \bar{X}_K + SL_{CG} - SL_{WTE} - X_{TER}$$

$$Y_{iWR} = -\bar{Y}_K - BL_{CG} + BL_{SP} + Y_{TIPR}$$

c. If  $K = L$  (Left Wing)

$$S_{iWL} = S_{iWK}$$

EQUATIONS (Continued)

SUBSYSTEM NO. 4--WING-PYLON AERODYNAMICS

c. If  $K = L$  (Left Wing) (Concluded)

$$X_{iWL} = \bar{X}_K + SL_{CC} - SL_{WTE} - X_{TEL}$$

$$Y_{iWL} = \bar{Y}_K + BL_{CC} - BL_{SP} - Y_{TIPL}$$

7. Total Velocity, Angle of Attack, and Sideslip Angle

$$V_{TIWK} = \left( (U + U_i |_{R/WK}^B)^2 + (W + W_i |_{R/WK}^B)^2 \right)^{1/2}$$

$$\alpha_{iWK} = \tan^{-1} \left( \frac{W + W_i |_{R/WK}^B}{U + U_i |_{R/WK}^B} \right) \quad (57.3)$$

$$\beta_{iWK} = \tan^{-1} \left[ \frac{V}{\left( (U + U_i |_{R/WK}^B)^2 + (W + W_i |_{R/WK}^B)^2 \right)^{1/2}} \right] \quad (57.3)$$

8. Dynamic Pressure

$$q_{iWK} = \frac{1}{2} \rho V_{TIWK}^2$$

9. Lift and Drag in Local Wind Axis System

$$L_{iWPK} = q_{iWK} S_{iWK} C_{L_{WPK}} K_{FW}$$

$$D_{iWPK} = q_{iWK} S_{iWK} C_{D_{WPK}} K_{FW}$$

Where

$$C_{L_{WPK}} = (C_{L_{WP}} = f(\alpha_{iWK}, \beta_m, \delta_F, M_N))$$

$$C_{D_{WPK}} = (C_{D_{WP}} = f(\alpha_{iWK}, \beta_m, \delta_F, M_N))$$

$$K_{FW} = K_{FWO} - K_{FWDF}(\delta_F)$$

EQUATIONS (Continued)

SUBSYSTEM NO. 4--WING-PYLON AERODYNAMICS

B. Wing Aerodynamics in Freestream Flow

1. Area of Wing in Freestream Flow

$$S_{WFS} = S_W - (S_{iWL} + S_{iWR})$$

2. Wing Freestream Dynamic Pressure

$$q_{WFS} = \frac{1}{2} \rho (U^2 + W^2)$$

3. Rotor Flowfield Effects on Freestream Angle of Attack

$$\alpha_{WFS} = \alpha_F - K_{XRW}(X_{RW}) \left[ \frac{C_{RFR} + C_{RFL}}{\left( \max\left(0.15, \frac{\mu_R + \mu_L}{2}\right)\right)^2} \right] \quad (57.3)$$

where

$$X_{RW} = X_{RWO} + \beta_m (X_{RW1} + \beta_m (X_{RW2}))$$

4. Lift, Drag, and Pitching Moment in Local Wind Axis System

$$L_{WP} = q_{WFS} S_{WFS} C_{LWPFS} - q_{WFS} S_W C_{L\delta_a} |\delta_a|$$

$$D_{WP} = q_{WFS} S_{WFS} C_{DWPFS}$$

$$M'_{WP} = q_{WFS} S_W c_w C_{mWP}$$

where

$$C_{LWPFS} = (C_{LWP} = f(\alpha_{WFS}, \beta_m, \delta_F, M_N))$$

$$C_{L\delta_a} = f(\delta_F)$$

$$C_{DWPFS} = (C_{DWP} = f(\alpha_{WFS}, \beta_m, \delta_F, M_N))$$

EQUATIONS (Continued)

SUBSYSTEM NO. 4--WING-PYLON AERODYNAMICS

4. Lift, Drag, and Pitching Moment in Local Wind Axis System  
(Concluded)

$$C_{m_{WP}} = f(\beta_m, \delta_F)$$

Note:  $C_{m_{WP}}$  is chosen at  $C_{L_{WP}} \cong 0$

C. Lateral/Directional Equations (Based totally on freestream flow at all airspeeds where  $U > 15$  ft/sec)

1. Prandtl-Glauert Compressibility Factor

$$B_c = [1 - M_N^2 \cos^2(\Lambda_w)]^{1/2}$$

$$AR_w = b_w^2 / S_w$$

$$C_\beta = \frac{AR_w + 4 \cos(\Lambda_w)}{AR_w B_c + 4 \cos(\Lambda_w)}$$

2. Side Force, Rolling Moment, and Yawing Moment Equations

$$Y'_{WP} = q_{WFS} S_w \left[ C_{Y_\beta} \beta_F + \frac{b_w}{2U} (C_{Y_p} p_w + C_{Y_r} r_w) \right]$$

$$l'_{WP} = q_{WFS} S_w b_w \left[ C_{l_\beta} \beta_F + \frac{b_w}{2U} (C_{l_p} p_w + C_{l_r} r_w) \right]$$

$$+ S_w b_w \left[ \left( \frac{q_{iWL} + q_{iWR}}{2} \right) (C_{l_{\delta_a}} \delta_a) \right]$$

$$N'_{WP} = q_{WFS} S_w b_w \left[ C_{n_\beta} \beta_F + \frac{b_w}{2U} (C_{n_p} p_w + C_{n_r} r_w) \right]$$

$$+ S_w b_w \left[ \left( \frac{q_{iWL} + q_{iWR}}{2} \right) (C_{n_{\delta_a}} \delta_a) \right]$$

EQUATIONS (Continued)

SUBSYSTEM NO. 4--WING-PYLON AERODYNAMICS

2. Side Force, Rolling Moment, and Yawing Moment Equations  
(Continued)

where

$$p_w = p \cos \alpha_{WFS} \cos \beta_F + q \sin \beta_F + r \sin \alpha_{WFS} \cos \beta_F$$

$$r_w = -p \sin \alpha_{WFS} + r \cos \alpha_{WFS}$$

and the lateral-directional stability derivatives are:

a.  $C_{Y\beta} = (C_\beta)(C_{Y\beta}|_{M_N=0})$

b.  $C_{Yp} = (C_\beta)(C_{LWPFs})\left(\frac{C_{Yp}}{C_{LWP}}|_{M_N=0}\right)\left(\frac{AR_w B_c + \cos(\Lambda_w)}{AR_w + \cos(\Lambda_w)}\right)$

c.  $C_{Yr} = (C_\beta)(C_{Yr}|_{M_N=0})$

d.  $C_{l\beta} = (C_\beta)(C_{l\beta}|_{C_{LWP}=M_N=0}) + (C_{LWPFs})\left(\frac{C_{l\beta}}{C_{LWP}}|_{M_N=0}\right)$

for

$$0 \text{ deg} < |\beta_F| \leq 15 \text{ deg},$$

$$C_{l\beta} \beta_F = (C_{l\beta})(\beta_F/57.3)$$

$$15 \text{ deg} < |\beta_F| < 165 \text{ deg},$$

$$C_{l\beta} \beta_F = (C_{l\beta})(\text{sign}(\beta_F)(15.0/57.3))$$

$$165 \text{ deg} \leq |\beta_F| < 180 \text{ deg},$$

$$C_{l\beta} \beta_F = (C_{l\beta} * 15.0 - C_{l\beta}(|\beta_F| - 165.0))(\text{sign}(\beta_F)/57.3)$$



EQUATIONS (Continued)

SUBSYSTEM NO. 4--WING-PYLON AERODYNAMICS

2. Side Force, Rolling Moment, and Yawing Moment Equations  
(Continued)

where

$$C_{l\beta} |_{C_{LWP} = M_N = 0} = f(\delta_F, \beta_F, \beta_m)$$

$$\frac{C_{l\beta}}{C_{LWP}} |_{M_N = 0} = f(\delta_F, \beta_F, \beta_m)$$

e.

$$C_{l_p} = (C_\beta) \left( C_{l_p} |_{C_{LWP} = M_N = 0} \right) \left[ \frac{\partial C_{LWPFS} / \partial \alpha_{WFS}}{(\partial C_{LWPFS} / \partial \alpha_{WFS}) |_{C_{LWP} = 0}} \right] - \left( \frac{1}{8} \right) \left( C_{DWPFS} - \frac{C_{LWPFS}^2}{\pi AR_W} \right)$$

where

$$\left( \frac{\partial C_{LWPFS}}{\partial \alpha_{WFS}} \right) |_{C_{LWFS} = 0} = f(M_N, \beta_m, \delta_F)$$

f.

$$C_{l_r} = (C_{LWPFS}) \left( \frac{C_{l_r}}{C_{LWP}} |_{M_N = 0} \right) \left( 1 + \frac{AR_W (1 - B_c)^2}{2B_c (AR_W B_c + 2)} \right) + \left( \frac{\Delta C_{l_r}}{(\partial \alpha_{WFS} / \partial \delta_F) (\delta_F)} \right) \left( \frac{\partial \alpha_{WFS}}{\partial \delta_F} \right) (\delta_F)$$

g.

$$C_{l_{\delta_a}} = (K_{l_{\delta_a}}) \left( C_{l_{\delta_a}} |_{\alpha_{WFS} < 8 \text{ deg}}^{\delta_F = 0 \text{ deg}} \right)$$

where

$$K_{l_{\delta_a}} = f(\delta_F, \beta_m, \alpha_{WFS})$$

EQUATIONS (Continued)

SUBSYSTEM NO. 4--WING-PYLON AERODYNAMICS

2. Side Force, Rolling Moment, and Yawing Moment Equations  
(Concluded)

$$h. \quad C_{n\beta} = (C_\beta) \left( C_{n\beta} |_{C_{LWP} = M_N = 0} \right) + (C_{LWPFS})^2 \left( \frac{C_{n\beta}}{C_{LWPFS}^2} |_{M_N = 0} \right)$$

$$i. \quad C_{np} = (C_{1p}) (\alpha_{WFS}) (K_{np} - 1.0) + (K_{np}) (C_\beta) (B_c) (C_{LWPFS}) \left( \frac{C_{np}}{C_{LWP}} |_{M_N = 0} \right)$$

$$j. \quad C_{nr} = \left( \frac{C_{nr}}{C_{LWP}^2} \right) (C_{LWPFS}^2) + \left( \frac{C_{nr}}{C_{D_oWP}} \right) (C_{D_oWP} |_{C_{LWP} = 0})$$

where

$$C_{D_oWP} |_{C_{LWP} = 0} = f(M_N, \beta_m, \delta_F)$$

$$k. \quad C_{n\delta_a} = K_{no\delta_a} + (K_{n\delta_a}) (C_{1\delta_a}) (C_{LWPFS})$$

where

$$K_{no\delta_a} = f(\delta_F, \beta_m)$$

$$K_{n\delta_a} = f(\delta_F, \beta_m)$$

D. Wing Wake Deflection at the Horizontal Tail

$$\epsilon_{W/H} = \epsilon_{W/HOGE} \left[ \frac{1}{(1 - M_N^2)^{1/2}} \right]$$

where,

$$\epsilon_{W/HOGE} = f(\alpha_{WFS}, \beta_m, \delta_F)$$

EQUATIONS (Continued)

SUBSYSTEM NO. 4--WING-PYLON AERODYNAMICS

- E. Wing/Pylon Interference Drag (resulting from the intersection of the tilt rotor pylon and wing)

$$D_{PYLN} = D_{PYINT} \left( \frac{q_{iWL} + q_{iWR}}{2} \right)$$

where

$$D_{PYINT} = f(\beta_m)$$

- F. Spinner and Pylon Velocities and Angle of Attack

1. Average Induced Velocity in Body Axis

$$U_{iSP} = \left( \frac{W_{iL} + W_{iR}}{2} \right) (\sin \beta_m)$$

$$W_{iSP} = - \left( \frac{W_{iL} + W_{iR}}{2} \right) (\cos \beta_m)$$

2. Total Velocity in Mast Axis System

$$U_{MSP} = (U) \cos \beta_m + (W) \sin \beta_m$$

$$W_{MSP} = - \left( \frac{W_{iL} + W_{iR}}{2} \right) - (U) \sin \beta_m + (W) \cos \beta_m$$

$$V_{TSP} = (U_{MSP}^2 + V^2 + W_{MSP}^2)^{1/2}$$

$$q_{sp} = \frac{1}{2} \rho V_{TSP}^2$$

EQUATIONS (Continued)

SUBSYSTEM NO. 4--WING-PYLON AERODYNAMICS

3. Spinner/Pylon Angle of Attack in Mast Axis

$$\bar{\alpha}_{SPN} = \tan^{-1} \left( \frac{(U_{MSP}^2 + V^2)^{1/2}}{|W_{MSP}|} \right) \quad (57.3)$$

G. Spinner Drag

1. Spinner Drag for Two Spinners

$$SD = 2.0(q_{SP}) \left[ (SD/q)_{\beta_m = 90} + (SD/q) \sin^3(\bar{\alpha}_{SPN}) \right]$$

2. Angle of Attack and Sideslip Angle for Transformation to Body Axis

The angle of attack and sideslip angle for transformation to body axis are:

$$\alpha_{SP} = \tan^{-1} \left( \frac{W + W_{ISP}}{U + U_{ISP}} \right)$$

$$\beta_{SP} = \tan^{-1} \left\{ \frac{V}{[U + U_{ISP}]^2 + (W + W_{ISP})^2}^{1/2} \right\}$$

where

$$(U + U_{ISP}) = \max(0.01, U + U_{ISP})$$

## EQUATIONS (Concluded)

### SUBSYSTEM NO. 4--WING-PYLON AERODYNAMICS

#### H. Wing/Pylon Drag During Sideslip

The following equations allow for additional drag on tilt rotor pylons during sideslip. Pylon drag due to forward flight is included in the wing/pylon drag tables.

1. Projected Lateral Flat Plate Area of One Nacelle as a Function of Mast Axis Sideslip

$$S_{\text{PLAT}} = (S_{\text{PYL}}) \left| \frac{V}{(U_{\text{MSP}}^2 + V^2)^{1/2}} \right|$$

2. Increased Pylon Drag Area (two pylons)

$$D_{\text{PLAT}} = 2.0(q_{\text{PLAT}})(S_{\text{PLAT}})(K_{\text{PLAT}})$$

where

$$q_{\text{PLAT}} = q_{\text{SP}}$$

$$K_{\text{PLAT}} = f(\bar{\alpha}_{\text{PYL}})$$

$$\bar{\alpha}_{\text{PYL}} = \bar{\alpha}_{\text{SPN}}$$

3. Angles of Attack and Sideslip For Transformation to Body Axis

$$\alpha_{\text{PLAT}} = \alpha_{\text{SP}}$$

$$\beta_{\text{PLAT}} = \beta_{\text{SP}}$$

5		HORIZONTAL STABILIZER AERODYNAMICS	
Inputs: Variables		Outputs:	
<u>From Subsystem</u>	<u>Symbol</u>	<u>To Subsystem</u>	<u>Symbol</u>
4	$\epsilon_{W/H}$	10a	$\alpha_H$
9	$SL_{CG}$		$L_H$
	$WL_{CG}$		$D_H$
11	$p$		$M'_H$
	$q$		
	$r$	6	$\alpha_H$
2	$U_i \begin{matrix} B \\ R/H \end{matrix}$		
	$W_i \begin{matrix} B \\ R/H \end{matrix}$		
8a	$\beta_m$		
	$\delta_e$		
12	$U$		
	$V$		
	$W$		
	$\dot{W}$		
	$\alpha_F$		
	$\beta_F$		
	$V_T$		
15	$\rho$		
	$M_N$		

(Concluded on next page)

Inputs: Constants, Coefficients, and Data Tables

Constants:  $SL_H, WL_H, S_H, c_H, i_H$

Coefficients:  $\tau_e, C_{LH\beta}, K_{HNU}, D_{WB}, C_{MHO}, C_{MHA}, D_{Ke}$

Data Tables:  $C_{LH} = f(\alpha_{HL}, \delta_e, M_N)$  Tables 5-I, 5-II

$C_{DH} = f(\alpha_{HD}, M_N)$  Table 5-III

$X_{Ke} = f(M_N)$  Table 5-IV

$\eta_H = f(\alpha_F, \beta_m, V_T)$  Table 5-V

$K_{\beta HS} = f(\beta_F)$  Table 5-VI

$PCPM = f(M_N)$  Table 5-VII

SUBSYSTEM NO. 5: HORIZONTAL STABILIZER AERODYNAMICS

Inputs: Variables

Symbol	Description	Units
$\epsilon_{W/H}$	Wing wake deflection at the horizontal stabilizer, $= f(\alpha_w, \beta_m, \delta_F, M_N)$	deg
$SL_{CG}$	Station line of c.g.	inch
$WL_{CG}$	Water line of c.g.	inch
p	Body axis roll rate	rad/sec
q	Body axis pitch rate	rad/sec
r	Body axis yaw rate	rad/sec
$U_i \Big _{R/H}^B$	Induced x-velocity at horizontal stabilizer in body axis due to the rotor	ft/sec
$W_i \Big _{R/H}^B$	Induced z-velocity at horizontal stabilizer in body axis due to the rotor	ft/sec
$\beta_m$	Mast conversion angle (+ fwd, 0 deg = vertical or helicopter, 90 deg = horizontal or airplane)	deg
$\delta_e$	Elevator mean deflection angle (+ trailing edge down)	deg
U	x-velocity (longitudinal) of the rotorcraft c.g. in body axis with respect to the air	ft/sec
V	y-velocity (lateral) of the rotorcraft c.g. in body axis with respect to the air	ft/sec



SUBSYSTEM NO. 5: HORIZONTAL STABILIZER AERODYNAMICS (Continued)

Inputs: Variables (Concluded)

Symbol	Description	Units
W	z-velocity (vertical) of the rotorcraft c.g. in body axis with respect to the air	ft/sec
$\dot{W}$	Rate of change of z-velocity (vertical) of the rotorcraft c.g. in body axis with respect to the air	ft/sec <sup>2</sup>
$\alpha_F$	Fuselage angle of attack	deg
$\beta_F$	Fuselage sideslip angle	deg
$V_T$	Total linear velocity of the rotorcraft c.g. with respect to the air	ft/sec
$\rho$	Air density	slug/ft <sup>3</sup>
$M_N$	Mach number	ND

Inputs: Constants, Coefficients, and Data Tables

$SL_H$	Station line of the horizontal stabilizer center of pressure	inch
$WL_H$	Water line of the horizontal stabilizer center of pressure	inch
$S_H$	Horizontal stabilizer area	ft <sup>2</sup>
$c_H$	Horizontal stabilizer chord	ft
$i_H$	Horizontal stabilizer incidence	deg
$\tau_e$	Elevator effectiveness $(\partial\alpha_H/\partial\delta_e)$	ND

SUBSYSTEM NO. 5: HORIZONTAL STABILIZER AERODYNAMICS (Continued)

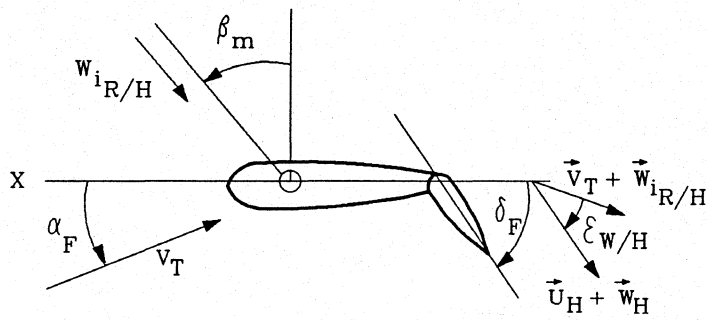
Inputs: Constants, Coefficients, and Data Tables (Concluded)

Symbol	Description	Units
$C_{LH\beta}$	Horizontal stabilizer lift coefficient as a function of sideslip angle	1/deg
$K_{HNU}$	Horizontal stabilizer dynamic pressure loss multiplier	ND
$D_{WB}$	Coefficient in the wing/body damping equation	ND
$C_{MHO}$	Horizontal stabilizer pitching moment coefficient at zero angle of attack	ND
$C_{MHA}$	Horizontal stabilizer pitching moment coefficient variation with angle of attack	1/deg
$D_{Ke}$	Elevator effectiveness reduction factor for large elevator angles	ND
$C_{LH}$	Horizontal stabilizer lift coefficient, $= f(\alpha_H, \delta_e, M_N)$	ND
$C_{DH}$	Horizontal stabilizer drag coefficient, $= f(\alpha_H, M_N)$	ND
$X_{Ke}$	Elevator effectiveness factor, $= f(M_N)$	ND
$\eta_H$	Dynamic pressure ratio at the horizontal stabilizer, $= f(\alpha_f, \beta_m, V_T)$	ND
$K_{\beta HS}$	Sideslip factor on dynamic pressure ratio at the horizontal stabilizer, $= f(\beta_f)$	ND
PCPM	Mach number effect on the $(\partial \epsilon_{w/H} / \partial \alpha_w), = f(M_N)$	ND

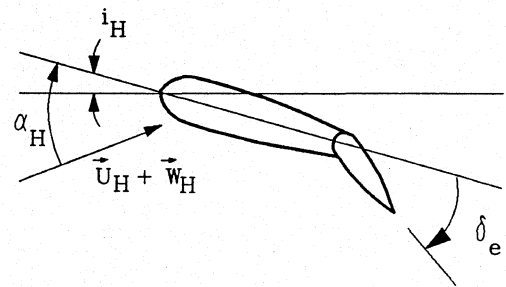
SUBSYSTEM NO. 5: HORIZONTAL STABILIZER AERODYNAMICS (Concluded)

Outputs:

Symbol	Description	Units
$\alpha_H$	Horizontal stabilizer angle of attack	deg
$L_H$	Aerodynamic lift on the horizontal stabilizer	lb
$D_H$	Aerodynamic drag on the horizontal stabilizer	lb
$M_H$	Aerodynamic pitching moment on the horizontal stabilizer	ft-lb



Wing Fuselage  
Vector Diagram



Horizontal Stabilizer  
Vector Diagram

Note: Angles shown are positive values in mathematical model sign convention.

Figure A5-1. Sign Conventions and Notation for Horizontal Stabilizer Aerodynamics

## EQUATIONS

### SUBSYSTEM NO. 5--HORIZONTAL STABILIZER AERODYNAMICS

A. Geometric Distances From C.G. to Horizontal Stabilizer 25% Chord

$$l_{XH} = (SL_H - SL_{CG}) / 12$$

$$l_{ZH} = (WL_H - WL_{CG}) / 12$$

B. Velocities

$$U_H = U + U_i |_{R/H}^B - q(l_{ZH})$$

$$V_H = V - r(l_{XH}) + p(l_{ZH})$$

$$W_H = W + W_i |_{R/H}^B + q(l_{XH})$$

Where if  $|U_H| < 0.01 \text{ ft/sec}$  then  $U_H = 0.01 \text{ ft/sec}$

C. Total Velocity

$$V_{HT} = (U_H^2 + W_H^2)^{1/2}$$

D. Angle of Attack For Lift Equation

If  $M_N < 0.2$

$$\alpha_{HL} = i_H + \left[ \tan^{-1} \left( \frac{W_H}{U_H} \right) (57.3) \right] - \epsilon_{W/H}$$

If  $M_N \geq 0.2$

$$\alpha_{HL} = i_H + \left[ \tan^{-1} \left( \frac{W_H}{U_H} \right) (57.3) \right] - \epsilon_{W/H} + K_e \tau_e \delta_e$$

EQUATIONS (Continued)

SUBSYSTEM NO. 5--HORIZONTAL STABILIZER AERODYNAMICS

D. Angle of Attack for Lift Equation (Concluded)

where

$$\epsilon_{W/H} = f(\alpha_W, \beta_m, \delta_F, M_N)$$

$$X_{Ke} = f(M_N)$$

and if

$$|\delta_e| < 15 \text{ deg}$$

$$K_e = X_{Ke}$$

Otherwise, if

$$|\delta_e| > 15 \text{ deg}$$

$$K_e = X_{Ke} - \left[ D_{Ke} \left( \frac{|\delta_e| - 15}{15} \right) \right]$$

E. Angle of Attack for Drag Equation

For all  $M_N$

$$\alpha_{HD} = \alpha_{HL} |_{M_N > 0.2}$$

F. Sideslip Angle

$$\beta_H = \tan^{-1} \left[ \frac{V_H}{(U_H^2 + W_H^2)^{1/2}} \right] (57.3)$$

EQUATIONS (Continued)

SUBSYSTEM NO. 5--HORIZONTAL STABILIZER AERODYNAMICS

G. Dynamic Pressure Loss Function

$$U \geq 0 \text{ and } |\beta_H| < 90.0$$

$$\eta_{HS} = 1.0 - (1.0 - \eta_H)(K_{\beta_{HS}})$$

Otherwise

$$\eta_{HS} = 1.0$$

Where

$$\eta_H = f(\alpha_F, \beta_m, V_T)$$

$$K_{\beta_{HS}} = f(\beta_F)$$

Note: At the present time, the  $\eta_H$  and  $\beta_{HS}$  function tables are the same ones used for the vertical stabilizer.

H. Dynamic Pressure at Horizontal Stabilizer

$$q_H = \frac{1}{2} \rho K_{HNU} \left[ (U * \sqrt{\eta_{HS}} - q * l_{ZH})^2 + (W * \sqrt{\eta_{HS}} + q * l_{XH})^2 \right]$$

I. Lift Coefficient Due to Vertical Acceleration and Wing/Body Damping

$$U_H = \max(U_H, 35)$$

$$C_{L_w} = D_{WB} \left( \frac{\partial C_{LH}}{\partial \alpha_{HL}} \right) \left( \frac{\partial \epsilon_{W/H}}{\partial \alpha_w} \right) \left( \frac{PCPM |_{M_N}}{PCPM |_{M_N=0}} \right) \left( \frac{l_{XH}}{U_H^2} \right) \quad (57.3)$$

Where

$$PCPM = f(M_N)$$

EQUATIONS (Concluded)

SUBSYSTEM NO. 5--HORIZONTAL STABILIZER AERODYNAMICS

J. Total Lift of the Horizontal Stabilizer in Wind Axis

$$L_H = q_H S_H \left\{ C_{LH} + C_{L\frac{W}{U}} + C_{LH\beta} [\min(15, |\beta_H|)] (\cos \beta_m) \right\}$$

Where

$$C_{LH} = (\alpha_{HL}, M_N, \delta_e)$$

K. Drag of the Horizontal Stabilizer in Wind Axis

$$D_H = q_H S_H C_{DH}$$

Where

$$C_{DH} = f(\alpha_{HD}, M_N)$$

L. Pitching Moment of the Horizontal Stabilizer in Wind Axis

$$M'_H = q_H S_H c_H [C_{MHO} + C_{MHA}(\alpha_{HL})]$$

M. Local Angle of Attack (For Resolving Forces)

$$\alpha_H = \tan^{-1} \left( \frac{W_H}{U_H} \right) (57.3) - \epsilon_{W/H}$$



6		VERTICAL STABILIZER AERODYNAMICS		
Inputs: Variables			Outputs:	
<u>From Subsystem</u>	<u>Symbol</u>	<u>To Subsystem</u>	<u>Symbol</u>	
12	U	10a	$\beta_v(i)$	
	V		$Y'_v(i)$	
	W		$D_v(i)$	
	$\dot{U}$	14	$l_{XV}(i)$	
	$\dot{V}$		$l_{YV}(i)$	
	$\dot{W}$		$l_{ZV}(i)$	
	$\alpha_F$			
	$\beta_F$			
	$V_T$			
5	$\alpha_H$			
11	P			
	q			
	r			
2	$U_i \Big _{R/V}^B$			
	$W_i \Big _{R/V}^B$			
15	$\rho$			
	$M_N$			
8a	$\beta_m$			
	$\delta_r$			
	$\delta_F$			
9	$SL_{CG}$			
	$WL_{CG}$			

(Concluded on next page)

Inputs: Constants, Coefficients, and Data Tables

Constants:  $NVSTAB, SL_V(i), WL_V(i), BL_V(i), S_V(i), i_V(i), BL_{CG},$   
 $SL_{SP}, BL_{SP}, l_m, R, b_W$

Coefficients:  $\tau_r, \partial\sigma/\partial\hat{p}, \partial\sigma/\partial\hat{r}, K_{VNU}, a_v, D_{Kr}$

Data Tables:  $C_{YV} = f(\beta_V, \delta_r, M_N)$  Tables 6-I, 6-II

$C_{DV} = f(\beta_V, \delta_r, M_N)$  Table 6-III

$(1 - \partial\sigma/\partial\beta_F) = f(\beta_F, \beta_m, \delta_F, \alpha_F)$  Tables 6-IV, 6-V  
6-VI, 6-VII

$K_{\beta R} = f(\beta_F, V_T)$  Table 6-VIII

$X_{Kr} = f(M_N)$  Table 5-IV

$\eta_V = f(\alpha_F, \beta_m, V_T)$  Table 5-V

$K_{\beta VS} = f(\beta_F)$  Table 5-VI

SUBSYSTEM NO. 6: VERTICAL STABILIZER AERODYNAMICS

Inputs: Variables

Symbol	Description	Units
U	x-velocity (longitudinal) of rotorcraft c.g. in body axis with respect to the air	ft/sec
V	y-velocity (lateral) of the rotorcraft c.g. in body axis with respect to the air	ft/sec
W	z-velocity (vertical) of the rotorcraft c.g. in body axis with respect to the air	ft/sec
$\dot{U}$	Rate of change of x-velocity (longitudinal) of the rotorcraft c.g. in body axis with respect to the air	ft/sec <sup>2</sup>
$\dot{V}$	Rate of change of y-velocity (lateral) of the rotorcraft c.g. in body axis with respect to the air	ft/sec <sup>2</sup>
$\dot{W}$	Rate of change of z-velocity (vertical) of the rotorcraft c.g. in body axis with respect to the air	ft/sec <sup>2</sup>
$\alpha_F$	Fuselage angle of attack	deg
$\beta_F$	Fuselage sideslip angle	deg
$V_T$	Total linear velocity of the rotorcraft c.g. with respect to the air	ft/sec
$\alpha_H$	Horizontal stabilizer angle of attack	deg
p	Body axis roll rate	rad/sec
q	Body axis pitch rate	rad/sec

SUBSYSTEM NO. 6: VERTICAL STABILIZER AERODYNAMICS (Continued)

Inputs: Variables (Concluded)

Symbol	Description	Units
$r$	Body axis yaw rate	rad/sec
$U_i \left  \begin{array}{l} B \\ R/V \end{array} \right.$	Induced x-velocity at the vertical fin in body axis due to the rotor	ft/sec
$W_i \left  \begin{array}{l} B \\ R/V \end{array} \right.$	Induced z-velocity at the vertical fin in body axis due to the rotor	ft/sec
$\rho$	Air density	slug/ft <sup>3</sup>
$M_N$	Mach number	ND
$\beta_m$	Mast conversion angle (+ fwd, 0 deg = vertical or helicopter, 90 deg = horizontal or airplane)	deg
$\delta_r$	Rudder mean deflection angle (+ trailing edge right)	deg
$\delta_F$	Flap position	deg
$SL_{CG}$	Station line of c.g.	inch
$WL_{CG}$	Water line of c.g.	inch

Inputs: Constants, Coefficients, and Data Tables

NVSTAB	Number of vertical stabilizers	ND
$SL_V$	Station line of the vertical stabilizer center of pressure	inch

SUBSYSTEM NO. 6: VERTICAL STABILIZER AERODYNAMICS (Continued)

Inputs: Constants, Coefficients, and Data Tables (Continued)

Symbol	Description	Units
$WL_V$	Water line of the vertical stabilizer center of pressure	inch
$BL_V$	Butt line of the vertical stabilizer center of pressure	inch
$S_V$	Vertical stabilizer total area	ft <sup>2</sup>
$i_V$	Incidence of vertical stabilizer	deg
$BL_{CG}$	Butt line of c.g.	inch
$SL_{SP}$	Station line of engine nacelle shaft pivot point	inch
$BL_{SP}$	Butt line of engine nacelle shaft pivot point	inch
$l_m$	Mast length	ft
R	Rotor radius	ft
$b_W$	Wing span	ft
$\tau_r$	Rudder effectiveness ( $\partial\beta_V/\partial\delta_r$ )	ND
$\hat{\partial\sigma/\partial p}$	Roll rate correction coefficient to fin sideslip angle	ND
$\hat{\partial\sigma/\partial r}$	Yaw rate correction coefficient to fin sideslip angle	ND
$K_{VNU}$	Vertical stabilizer dynamic pressure loss multiplier	ND

SUBSYSTEM NO. 6: VERTICAL STABILIZER AERODYNAMICS (Continued)

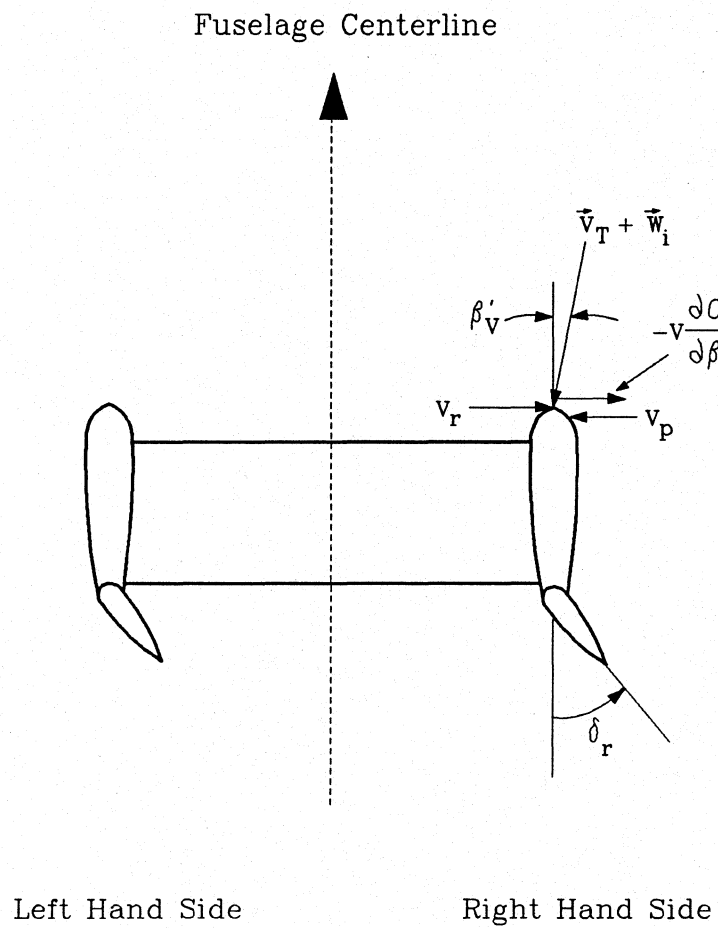
Inputs: Constants, Coefficients, and Data Tables (Concluded)

Symbol	Description	Units
$a_V$	Lift curve slope of the vertical tail	1/rad
$D_{Kr}$	Rudder effectiveness reduction factor for large rudder angles	ND
$C_{YV}$	Vertical fin side force (lift) coefficient, $= f(\beta_V, \delta_r, M_N)$	ND
$C_{DV}$	Vertical fin drag coefficient, $= f(\beta_V, \delta_r, M_N)$	ND
$\left(1 - \frac{\partial \sigma}{\partial \beta_F}\right)$	Vertical stabilizer sidewash factor, $= f(\beta_F, \beta_m, \delta_F, \alpha_F)$	ND
$K_{\beta R}$	Rotor sidewash factor on dynamic pressure, $= f(\beta_F, V_T)$	ND
$X_{Kr}$	Rudder effectiveness factor, $= f(M_N)$	ND
$\eta_V$	Dynamic pressure ratio at the vertical stabilizer, $= f(\alpha_F, \beta_m, V_T)$	ND
$K_{\beta vs}$	Sideslip factor on dynamic pressure ratio at the vertical stabilizer, $= f(\beta_F)$	ND

SUBSYSTEM NO. 6: VERTICAL STABILIZER AERODYNAMICS (Concluded)

Outputs:

Symbol	Description	Units
$\beta_V$	Vertical stabilizer sideslip angle	deg
$Y'_V$	Aerodynamic side force (lift) on the vertical stabilizer (wind axis)	lb
$D_V$	Aerodynamic drag on the vertical stabilizer (wind axis)	lb
$l_{XV}$	Station line distance from the c.g. to the vertical stabilizer center of pressure	ft
$l_{YV}$	Butt line distance from the c.g. to the vertical stabilizer center of pressure	ft
$l_{ZV}$	Water line distance from the c.g. to the vertical stabilizer center of pressure	ft



Vertical Stabilizer  
Vector Diagram  
(top view)

Note: Angles shown are positive values in mathematical model sign convention.

Figure A6-1. Sign Conventions and Notation for Vertical Stabilizer Aerodynamics



EQUATIONS  
SUBSYSTEM NO. 6--VERTICAL STABILIZER AERODYNAMICS

The maximum number of vertical stabilizers is four. The aerodynamics of each fin are computed and transferred separately to the equations that sum the fuselage forces and moments.

A. Geometric Distances from c.g. to Vertical Stabilizer(s) Aerodynamic Center

$i = 1, NVSTAB$

$$l_{xv}(i) = [SL_v(i) - SL_{CG}] / 12$$

$$l_{yv}(i) = [BL_v(i) - BL_{CG}] / 12$$

$$l_{zv}(i) = [WL_v(i) - WL_{CG}] / 12$$

B. Definition of Interference Velocities Induced at the Fin

1. Definition of Rotor Wake Boundaries on Each Fin

a. Left Rotor

$$BL_{RTIP}(1) = (-BL_{SP} - R) / 12$$

$$BL_{RTIP}(2) = (-BL_{SP} + R) / 12$$

b. Right Rotor

$$BL_{RTIP}(3) = (BL_{SP} - R) / 12$$

$$BL_{RTIP}(4) = (BL_{SP} + R) / 12$$

EQUATIONS (Continued)

SUBSYSTEM NO. 6--VERTICAL STABILIZER AERODYNAMICS

1. Definition of Rotor Wake Boundaries on Each Fin  
(Concluded)

$$l_{YRV}(i, j) = [BL_{TIP}(j) - BL_V(i)]$$

$$l_{XRV}(i) = SL_V(i) - SL_{SP} + (12)(l_m)(\sin \beta_m)$$

$$\gamma_{RV}(i, j) = \tan^{-1} \left( \frac{l_{YRV}(i, j)}{l_{XRV}(j)} \right) \quad (57.3)$$

$$\text{for } i = 1, NVSTAB \\ j = 1, 4$$

2. Definition of Rotor Induced Velocity (Body Axis) on Each Fin

$$\left. \begin{array}{l} U_i |_{R/V}^B \\ \\ W_i |_{R/V}^B \end{array} \right\} = 0 \quad \text{when} \quad \left\{ \begin{array}{l} \beta_F < \gamma_{RV}(1, j) \\ \gamma_{RV}(2, j) < \beta_F \leq \gamma_{RV}(3, j) \\ \beta_F > \gamma_{RV}(4, j) \end{array} \right.$$

C. Velocity on Each Fin

$$U_v(i) = U + U_i |_{R/V}^B - q[l_{zv}(i)] - r[l_{yv}(i)]$$

$$V_v(i) = V - r[l_{xv}(i)] + p[l_{zv}(i)]$$

$$W_v(i) = W + W_i |_{R/V}^B + q[l_{xv}(i)] + p[l_{yv}(i)]$$

$$V_{VT}(i) = [U_v^2(i) + V_v^2(i) + W_v^2(i)]^{1/2}$$

EQUATIONS (Continued)

SUBSYSTEM NO. 6--VERTICAL STABILIZER AERODYNAMICS

D. Angle of Attack for Fin Lift Calculations at Zero Rudder

If

$$|U_v(i)| < 35 \text{ ft/sec, then } U_v(i) = (35 \text{ ft/sec}) \text{sign}[U_v(i)]$$

If in a maneuver,

$$\dot{\beta} = \left[ \frac{(U^2 + W^2)^{1/2}}{(U^2 + V^2 + W^2)^{1/2}} \right] \left[ \left( \dot{V} - \frac{V(U\dot{U} + W\dot{W})}{(U^2 + W^2)} \right) \right]$$

Otherwise

$$\dot{\beta} = 0$$

$$\beta_v(i) = -i_v(i) + \left\{ \tan^{-1} \left[ \frac{V_v(i)}{[U_v(i)^2 + W_v(i)^2]^{1/2}} \right] - \frac{0.5b_w}{U_v(i)} \left( \frac{\partial \sigma}{\partial p} p + \frac{\partial \sigma}{\partial \Gamma} \Gamma \right) + \frac{l_{xv}(i)}{U_v(i)} \left( \frac{\partial \sigma}{\partial \beta_f} \right) \dot{\beta} \right\} (57.3)$$

Where

$$\left( 1 - \frac{\partial \sigma}{\partial \beta_f} \right) = f(\beta_f, \beta_m, \delta_f, \alpha_f)$$

NOTE: To obtain term  $(\partial \sigma / \partial \beta_f)$ , the values in the tables in Appendix B must be subtracted from "1.0" in a computer program.

E. Angle of Attack for Drag Calculations

$$\beta_{vD}(i) = \beta_v(i) + K_r \tau_r \delta_r$$

EQUATIONS (Continued)

SUBSYSTEM NO. 6--VERTICAL STABILIZER AERODYNAMICS

E. Angle of Attack for Drag Calculations (Concluded)

Where

$$X_{Kr} = f(M_N)$$

And if

$$|\delta_r| < 15 \text{ deg}$$

$$K_r = X_{Kr}$$

$$|\delta_r| > 15 \text{ deg}$$

$$K_r = X_{Kr} - \left[ D_{Kr} \left( \frac{|\delta_r| - 15}{15} \right) \right]$$

F. Dynamic Pressure Loss Function

For  $U \geq 0$  and  $|\beta_v| < 90.0$

$$\eta_{VS} = 1.0 - (1.0 - \eta_{VS})(K_{\beta VS})$$

Otherwise

$$\eta_{VS} = 1.0$$

Where

$$\eta_v = f(\alpha_F, \beta_m, V_T)$$

$$K_{\beta VS} = f(\beta_F)$$

**NOTE:** At present, the  $\eta_{VS}$  and  $K_{\beta VS}$  function tables are the same ones used for the horizontal stabilizer.

## EQUATIONS (Continued)

## SUBSYSTEM NO. 6--VERTICAL STABILIZER AERODYNAMICS

G. Dynamic Pressure at Each Fin Position

$$q_v = \frac{1}{2} \rho K_{VNU} [(U * \sqrt{\eta_{VS}} - q * l_{ZV} - R * l_{YV})^2 + (V * \sqrt{\eta_{VS}} + p * l_{ZV} - R * l_{XV})^2 + (W * \sqrt{\eta_{VS}} + q * l_{XV} + p * l_{YV})^2]$$

H. Fin Lift CoefficientFor  $M_N \leq 0.2$ 

$$C_{YV}(i) = (C_{YV} |_{\delta_r=0}) \left[ K_{\beta R} \left( 1 - \frac{\partial \sigma}{\partial \beta_F} \right) \right] + (C_{YV} |_{\delta_r} - C_{YV} |_{\delta_r=0})$$

For  $M_N > 0.2$ 

$$C_{YV}(i) = (C_{YV} |_{\delta_r=0}) \left[ K_{\beta R} \left( 1 - \frac{\partial \sigma}{\partial \beta_F} \right) \right] + a_v(i) K_r \tau_r \delta_r$$

Where

$$C_{YV} = f(\beta_v, \delta_r, M_N)$$

$$K_{\beta R} = f(\beta_F, V_T)$$

$$\left( 1 - \frac{\partial \sigma}{\partial \beta_F} \right) = f(\beta_F, \beta_m, \delta_F, \alpha_F)$$

$$X_{Kr} = f(M_N)$$

EQUATIONS (Concluded)

SUBSYSTEM NO. 6: VERTICAL STABILIZER AERODYNAMICS

H. Fin Lift Coefficient (Concluded)

And if

$$|\delta_r| < 15 \text{ deg}$$

$$K_r = X_{Kr}$$

$$|\delta_r| > 15 \text{ deg}$$

$$K_r = X_{Kr} - \left[ D_{Kr} \left( \frac{|\delta_r| - 15}{15} \right) \right]$$

I. Fin Drag Coefficient

$$C_{DV}(i) = (C_{DV} |_{\delta_r}) \left[ K_{\beta R} \left( 1 - \frac{\partial \sigma}{\partial \beta_F} \right) \right]$$

Where

$$C_{DV} = f(\beta_{VD}(i), M_N)$$

$$K_{\beta R} = f(\beta_F, V_T)$$

$$\left( 1 - \frac{\partial \sigma}{\partial \beta_F} \right) = f(\beta_F, \beta_m, \delta_F, \alpha_F)$$

J. Fin Lift and Drag in Wind Axis

$$Y'_V(i) = -[C_{YV}(i)][q_V(i)][S_V(i)]$$

$$D_V(i) = -[C_{DV}(i)][q_V(i)][S_V(i)]$$

<b>7A</b>	<b>LANDING GEAR* (Present Sigma 8 Model)</b>
-----------	--

Inputs: Variables	Outputs:
-------------------	----------

<u>From Subsystem</u>	<u>Symbol</u>	<u>To Subsystem</u>	<u>Symbol</u>
3	$q_F$	10a	$D_{MG}$
8a	$L_{LG}$		$D_{NG}$
10f	$h_{CG}$ $\dot{h}_{CG}$	13	$(\Delta X, \Delta Y, \Delta Z)_{LG}$
12	$V_T$ $U$	14	$(\Delta l, \Delta M, \Delta N)_{LG}$
8d	$\delta_{B_n}$ $\delta_{NW}$	16	$LG_{TLT}$
10c	$\theta$ $\phi$ $\psi$ $\dot{\psi}$		
9	$SL_{CG}$ $WL_{CG}$		

Inputs: Constants, Coefficients, and Data Tables

Constants: (Where  $n = 1, 2, \text{ or } 3$  depending on which wheel is of interest)  
 $BL_{CG}, SL_{Gn}, WL_{Gn}, BL_{Gn}, \delta_{B_{nMIN}}, K_{B_W}, A_{MAX}, g, T_{DN}, T_{UP}$

Coefficients:  $DPOD, G_{A_n}, G_{B_n}, G_{C_n}, \mu_{S_n}, \mu_{G_n}, \mu_{RF}$

Data Tables: (Aerodynamic)

VAX Model (Rev. A)	{	$D_{OMG} = f(LG_{PCT})$	Table 7A-I
		$D_{ONG} = f(LG_{PCT})$	Table 7A-I

\*Reference 24

(Concluded on next page)

7A

**LANDING GEAR\* (Present Sigma 8 Model) (Concluded)**

Inputs: Constants, Coefficients, and Data Tables (Concluded)

Data Tables: (Aerodynamic)

Sigma 8 Model	{	$D_{o_{MGU}} = f(t)$	Table 7A-II
		$D_{o_{MGD}} = f(t)$	Table 7A-II
		$D_{o_{NGU}} = f(t)$	Table 7A-III
		$D_{o_{NGD}} = f(t)$	Table 7A-III



**SUBSYSTEM NO. 7A: LANDING GEAR**

Inputs: Variables

<u>Symbol</u>	<u>Description</u>	<u>Units</u>
$q_F$	Fuselage dynamic pressure	lb/ft <sup>2</sup>
$L_{LG}$	Landing gear position indicator	ND
$h_{CG}$	Altitude of aircraft	ft
$\dot{h}_{CG}$	Climb rate	ft/sec
$V_T$	Total linear velocity of the aircraft c.g. with respect to the air	ft/sec
$U$	x-velocity (longitudinal) of the aircraft c.g. in body axis with respect to the air	ft/sec
$\delta_{B_n}$	Brake pedal deflection	deg
$\delta_{NW}$	Nose wheel steering angle	rad
$\theta$	Euler pitch angle	rad
$\phi$	Euler roll angle	rad
$\psi$	Euler yaw angle	rad
$\dot{\psi}$	Rate of change of Euler yaw angle	rad/sec
$SL_{CG}$	Station line of c.g.	in
$WL_{CG}$	Water line of c.g.	in

Inputs: Constants, Coefficients, and Data Tables

$BL_{CG}$	Butt line of c.g.	in
$SL_{Gn}$	Station line of landing gear [where n = 1 (nose), 2 (right), 3 (left) landing gear]	in

**SUBSYSTEM NO. 7A: LANDING GEAR (Continued)**

Inputs: Constants, Coefficients, and Data Tables (Continued)

Symbol	Description	Units
$WL_{Gn}$	Water line of landing gear [where n = 1 (nose), 2 (right), 3 (left) landing gear]	in
$BL_{Gn}$	Butt line of landing gear [where n = 1 (nose), 2 (right), 3 (left) landing gear]	in
$\delta_{Bn_{MIN}}$	Brake threshold deflection	deg
$K_{Bn}$	Brake sensitivity	ft/sec <sup>2</sup> -deg
$A_{MAX}$	Maximum braking deceleration	ft/sec <sup>2</sup>
g	Gravitational constant	ft/sec <sup>2</sup>
$T_{DN}$	Time for landing gear to extend (VAX version)	sec
$T_{UP}$	Time for landing gear to retract (VAX version)	sec
DPOD	Fuselage landing gear pod drag	ft <sup>2</sup>
$G_{An}$	Landing gear linear damping term	lb-sec/ft
$G_{Bn}$	Landing gear nonlinear damping term	lb-sec/ft <sup>3</sup>
$G_{Cn}$	Landing gear nonlinear stiffness term	lb/ft <sup>4</sup>
$\mu_{Sn}$	Landing gear side force slope	ND
$\mu_{Gn}$	Landing gear maximum side force coefficient	ND
$\mu_{RF}$	Coefficient of rolling friction	ND
$D_{oMG}$	Drag of the main landing gear (VAX version), = f(LG <sub>PCT</sub> )	ft <sup>2</sup>
$D_{oNG}$	Drag of the nose landing gear (VAX version), = f(LG <sub>PCT</sub> )	ft <sup>2</sup>

**SUBSYSTEM NO. 7A: LANDING GEAR (Concluded)**

Inputs: Constants, Coefficients, and Data Tables (Concluded)

<u>Symbol</u>	<u>Description</u>	<u>Units</u>
$D_{\text{OMGU}}$	Drag of the main landing gear during retraction (Sigma 8 version), = $f(t)$	$\text{ft}^2$
$D_{\text{ONGU}}$	Drag of the nose landing gear during retraction (Sigma 8 version), = $f(t)$	$\text{ft}^2$
$D_{\text{OMGD}}$	Drag of the main landing gear during extension (Sigma 8 version), = $f(t)$	$\text{ft}^2$
$D_{\text{ONGD}}$	Drag of the nose landing gear during extension (Sigma 8 version), = $f(t)$	$\text{ft}^2$

Outputs:

$D_{\text{MG}}$	Aerodynamic drag on the main landing gear	lb
$D_{\text{NG}}$	Aerodynamic drag on the nose landing gear	lb
$(\Delta X, \Delta Y, \Delta Z)_{\text{LG}}$	Total landing gear forces in body axis	lb
$(\Delta l, \Delta M, \Delta N)_{\text{LG}}$	Total landing gear rolling, pitching, and yawing moments in body axis	ft-lb
$\text{LG}_{\text{TLT}}$	Landing gear touchdown light	ND

## EQUATIONS

### SUBSYSTEM NO. 7A—LANDING GEAR (Present Sigma 8 Model)

#### A. LANDING GEAR LOCATIONS

$$X_n = SL_{CG} - SL_{Gn}$$

$$Y_n = BL_{CG} - BL_{Gn}$$

$$Z_n = WL_{CG} - WL_{Gn}$$

Buttlines positive to right.  
Waterlines defined with zero  
loads in landing gears.

Where: n = 1, nose gear  
          = 2, right gear  
          = 3, left gear

#### B. AERODYNAMIC EQUATIONS

##### 1. VAX Version

$$D_{MG} = q_F (D_{oMG} + D_{POD})$$

$$D_{NG} = q_F (D_{oNG})$$

where

$$D_{oMG} = f(LG_{PCT})$$

$$D_{oNG} = f(LG_{PCT})$$

and the percentage main and nose gear extension are a function of the present computer frame time (t), computer cycle time ( $\Delta t$ ), and total time for the landing gear to extend ( $T_{DN}$ ) or retract ( $T_{UP}$ ). Limits are 0% (retracted) and 100% (extended).

##### a. Gear Extend (limit 100%):

$$LG_{PCT} = (LG_{PCT})_{t-\Delta t} + \left[ \frac{(100.0)(\Delta t)}{(T_{DN})} \right]$$

##### b. Gear Retract (limit 0%):

$$LG_{PCT} = (LG_{PCT})_{t-\Delta t} - \left[ \frac{(100.0)(\Delta t)}{(T_{UP})} \right]$$

EQUATIONS (CONTINUED)

SUBSYSTEM NO. 7A—LANDING GEAR  
(Present Sigma 8 Model)

2. Sigma 8 Version

a. Gear Extension

$$D_{MG} = q_F [D_{O_{MGD}}(t) + DPOD]$$

$$D_{NG} = q_F D_{O_{NGD}}(t)$$

b. Gear Retraction

$$D_{MG} = q_F [D_{O_{MGU}}(t) + DPOD]$$

$$D_{NG} = q_F D_{O_{NGU}}(t)$$

C. GROUND DYNAMIC EQUATIONS

1. Gear Height

$$h_{G_n} = \frac{h_{CG} + \sin \theta X_n - \sin \phi \cos \theta Y_n - \cos \phi \cos \theta Z_n}{\cos \phi \cos \theta}$$

$$\text{if } h_{G_n} > 0 \quad F_{N_{G_n}} = F_{S_n} = F_{D_n} = 0$$

2. Gear Normal Force

$$F_{N_{G_n}} = \begin{cases} F_{N_n} & \text{for } F_{N_n} \leq 0 \\ 0 & \text{for } F_{N_n} > 0 \end{cases}$$

$$F_{N_n} = [G_{A_n} + G_{B_n} (\Delta S_{t_n})^2] (\dot{\Delta S}_{t_n}) - G_{C_n} (\Delta S_{t_n})^4$$

Where:  $F_{N_n}$  = gear normal force (lbs), positive sign down

$\Delta S_{t_n}$  = oleo stroke (ft), negative for compression

$\dot{\Delta S}_{t_n}$  = oleo stroke rate (ft/sec), negative for compression

EQUATIONS (CONTINUED)

SUBSYSTEM NO. 7A—LANDING GEAR  
(Present Sigma 8 Model)

3. Gear Side Force

$$F_{S_n} = \begin{cases} S_n & \text{for } |S_n| < S_{MAX_n} \\ S_{MAX_n} \text{ sign } (S_n) & \text{for } |S_n| > S_{MAX_n} \end{cases}$$

$$S_n = -57.3 \mu_{S_n} F_{N_{G_n}} \Delta G_n$$

$$S_{MAX_n} = -\mu_{G_n} F_{N_{G_n}}$$

$$\Delta G_n = \begin{cases} \delta_{NW} - \left[ \frac{\dot{\psi} X_n + \dot{Y}_{REL}}{|V_T|} \right] & \text{for } n = 1 \\ - \left[ \frac{\dot{\psi} X_n + \dot{Y}_{REL}}{|V_T|} \right] & \text{for } n = 2, 3 \end{cases}$$

Where:  $F_{S_n}$  = gear side force in the plane of the landing surface (lbs), positive to the right

$\delta_{NW}$  = nose wheel steering angle (rad), positive turning right

$\dot{\psi}$  = aircraft Euler yaw rate (rad/sec)

$V_T$  = Ground speed component of the aircraft velocity relative to the landing surface (ft/sec)

$\dot{Y}_{REL} = V_T \sin (\gamma_H - \psi)$  (ft/sec)

4. Gear Drag Force

$$F_{D_n} = \begin{cases} -\mu_{RF} F_{N_n} \text{ sign } (U) + F_{S_n} \text{ sign } (\delta_{NW}) & \text{for } n = 1 \\ -\mu_{RF} F_{N_n} \text{ sign } (U) + F_{B_n} & \text{for } n = 2, 3 \end{cases}$$

EQUATIONS (CONTINUED)

SUBSYSTEM NO. 7A—LANDING GEAR  
(Present Sigma 8 Model)

Where:  $F_{D_n}$  = Gear drag force in the plane of the landing surface due to friction (lbs), positive aft

$F_{B_n}$  = Brake force (lbs),

$$F_{B_n} = \begin{cases} K_{B_n} \delta_{B_n} F_{N_n} / g & \text{for } F_{B_n} < F_{B_n\text{MAX}} \\ F_{B_n\text{MAX}} & \text{for } F_{B_n} > F_{B_n\text{MAX}} \end{cases}$$

$$F_{B_n\text{MAX}} = A_{\text{MAX}} F_{N_n} / g$$

$$\delta_{B_n} = \begin{cases} 0 & \text{for } \delta_{B_n} < \delta_{B_n\text{MIN}} \\ \delta_{B_n} & \text{for } \delta_{B_n} > \delta_{B_n\text{MIN}} \end{cases}$$

Where:  $\delta_{B_n}$  = brake pedal deflection (deg)

5. Gear Force and Moment Summation

$$F_{G_{X_n}} = F_{D_n} - F_{N_{G_n}} \theta$$

$$F_{G_{Y_n}} = F_{S_n} + F_{N_{G_n}} \phi$$

$$F_{G_{Z_n}} = F_{D_n} \sin \theta - F_{S_n} \sin \phi + F_{N_{G_n}}$$

$$L_{G_n} = +F_{N_{G_n}} Y_n - F_{G_{Y_n}} (Z_n + h_{G_n})$$

$$M_{G_n} = -F_{N_{G_n}} X_n + F_{G_{X_n}} (Z_n + h_{G_n})$$

$$N_{G_n} = -F_{G_{X_n}} Y_n + F_{G_{Y_n}} X_n$$

EQUATIONS (CONCLUDED)

SUBSYSTEM NO. 7A—LANDING GEAR  
(Present Sigma 8 Model)

$$\Delta X_{LG} = \sum_{1}^{3} F_{GX_n}$$

$$\Delta Y_{LG} = \sum_{1}^{3} F_{GY_n}$$

$$\Delta Z_{LG} = \sum_{1}^{3} F_{GZ_n}$$

$$\Delta \ell_{LG} = \sum_{1}^{3} \ell_{G_n}$$

$$\Delta M_{LG} = \sum_{1}^{3} M_{G_n}$$

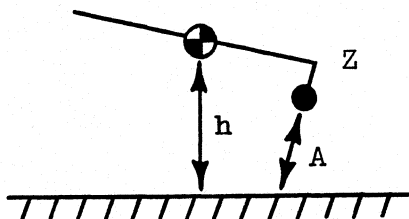
$$\Delta N_{LG} = \sum_{1}^{3} N_{G_n}$$



ADDITIONAL NOTES REGARDING THE LANDING GEAR MODEL  
(Provided by CSC)

A. Computation of Landing Gear Kinematics

Gear location (body frame, origin at c.g.) is given by  $X_G$ ,  $Y_G$ , and  $Z_G$



Compute  $A$  = distance from gear to ground above extension of gear strut

Contribution due to  $h$ :

$$A_n = \frac{h}{\cos \theta \cos \phi} \text{ since } h \text{ is a projection of } A_n$$

Contribution due to roll and pitch of airplane:

Body axis location relative to c.g. =  $X_G, Y_G, Z_G = \bar{V}_G$

Location in inertial frame =  $T_{L2B}^{-1} \bar{V}_G$

$$= \begin{bmatrix} \text{---} \\ \text{---} \\ -\sin \theta & \sin \phi \cos \theta & \cos \phi \cos \theta \end{bmatrix} \begin{bmatrix} X_G \\ Y_G \\ Z_G \end{bmatrix}$$

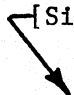
So the  $Z$ -component in the inertial frame is

$$h_{\theta\phi} = -\sin \theta X_G + \sin \phi \cos \theta Y_G + \cos \phi \cos \theta Z_G$$

This is the projection of  $A_{\theta\phi}$  into the Z inertial axis

$$\text{So } A_{\theta\phi} = h_{\theta\phi} / \cos \theta \cos \phi$$

[Since Z is positive down]



$$\begin{aligned} \text{The total distance } A &= A_h - A_{\theta\psi} = (1 / \cos \theta \cos \psi) \\ &(h + \sin \theta X_G - \sin \phi \cos \theta Y_G - \cos \theta \cos \psi Z_G) \end{aligned}$$

B. Distance from gear to ground along extension of gear strut

$$\begin{aligned} A_W &= \frac{1}{\cos \theta \cos \psi} (h + \sin \theta X_G - \sin \phi \cos \theta Y_G \\ &- \cos \theta \cos \phi Z_G) \end{aligned}$$

$$A_W = \text{"Stroke"} = \frac{1}{T_{33}} (h - T_{13}X_G - T_{23}Y_G - T_{33}Z_G)$$

C. Computation of Landing Gear Stroke

Define an inertial coordinate system having its origin at the aircraft c.g. Gear locations are given as  $X_G$ ,  $Y_G$ , and  $Z_G$  in the body frame. The inertial position of the gear is given by

$$\begin{bmatrix} G_X \\ G_Y \\ G_Z \end{bmatrix} = \begin{bmatrix} T_{L2B}^T \\ T_{13} & T_{23} & T_{33} \end{bmatrix} \begin{bmatrix} X_G \\ Y_G \\ Z_G \end{bmatrix} = \begin{bmatrix} G_X \\ G_Y \\ T_{13}X_G + T_{23}Y_G + T_{33}Z_G \end{bmatrix}$$

Basic

$$\begin{aligned} G_Z &= -\sin \theta X_G + \sin \phi \cos \theta Y_G + \cos \phi \cos \theta Z_G \quad (Z \text{ measured} \\ &\text{positive down}) \end{aligned}$$

Relative to the ground, the Z location of the gear is

$$Z_{G_g} = -h + G_Z = -h - \sin \theta X_G + \sin \phi \cos \theta Y_G + \cos \phi \cos \theta Z_G$$

Measured positive up

$$H_{G_g} = -Z_{G_g} = h + \sin \theta X_G - \sin \phi \cos \theta Y_G - \cos \phi \cos \theta Z_G$$

Divide by  $\cos \phi \cos \theta$  to put into strut axis

$$A_g = \frac{h}{\cos \phi \cos \theta} + \frac{\sin \theta}{\cos \phi \cos \theta} X_G - \frac{\sin \phi \cos \theta}{\cos \phi \cos \theta} Y_G - Z_G$$

#### D. Calculation of Landing Gear Stroke Rate

In inertial frame:

$$\dot{Z}_{GEAR} = \dot{Z}_{cg} + [T_{B2I}] [\Omega] \times \begin{bmatrix} X_G \\ Y_G \\ Z_G + A_W \end{bmatrix}$$

Body to Inertial
P, Q, R
Gear Position to c.g.

Stroke

$\underbrace{\begin{bmatrix} X_G \\ Y_G \\ Z_G + A_W \end{bmatrix}}_{Z'_g}$

$$[\Omega] \times \begin{bmatrix} X_G \\ Y_G \\ Z'_G \end{bmatrix} = \begin{bmatrix} qZ'_g - rY_G \\ rX_G - pZ'_g \\ pY_G - qX_G \end{bmatrix}$$

$$[T_{B2I}][\Omega] \times \begin{bmatrix} | \\ | \\ | \end{bmatrix} = \begin{bmatrix} \text{---} \\ \text{---} \\ T_{13} & T_{23} & T_{33} \end{bmatrix} \begin{bmatrix} qZ'_G - rY_G \\ rX_G - pZ'_G \\ pY_G - qX_G \end{bmatrix}$$

$$= X_G (T_{23}r - T_{33}q) + Y_G (T_{33}p - T_{13}r) + Z'_G (T_{13}q - T_{23}p)$$

Which is positive down, which causes increase in gear stroke as does h

In aircraft body frame, stroke rate  $\dot{A}_W$

$$\begin{aligned} \dot{A}_W &= \frac{1}{T_{33}} [\dot{h} + X_G (T_{33}q - T_{23}r) + Y_G (T_{13}r - T_{33}p) \\ &\quad + Z'_G (T_{23}p - T_{13}q)] \end{aligned}$$

7B		LANDING GEAR (Unused Bell Model)	
Inputs: Variables		Outputs:	
<u>From Subsystem</u>	<u>Symbol</u>	<u>To Subsystem</u>	<u>Symbol</u>
3	$q_F$	10a	$D_{MG}$
8a	$L_{LG}$		$D_{NG}$
10f	$h_{CG}$ $h_{CG}$	13	$(\Delta X, \Delta Y, \Delta Z)_{LG}$
12	$V_T$ $U$	14	$(\Delta l, \Delta M, \Delta N)_{LG}$
10c	$\theta$ $\phi$ $\psi$	16	$LG_{TLT}$
9	$SL_{CG}$ $WL_{CG}$		
Inputs: Constants, Coefficients, and Data Tables			
Constants:	(Where $n = 1, 2,$ or $3$ depending on which wheel is of interest) $BL_{CG}, SL_{Gn}, WL_{Gn}, BL_{Gn}, Z_{TIRE_n}$		
Coefficients:	$G_{1_n}, G_{2_n}, G_{3_n}, G_{4_n}, \mu_0, \mu_1, \mu_{S_n}, DPOD$		
Data Tables:	(Aerodynamic)		
	$D_{oMGU} = f(t)$	Table 7A-II	
	$D_{oMGD} = f(t)$	Table 7A-II	
	$D_{oNGU} = f(t)$	Table 7A-III	
	$D_{oNGD} = f(t)$	Table 7A-III	

**SUBSYSTEM NO. 7B—LANDING GEAR**

Inputs: Variables

<u>Symbol</u>	<u>Description</u>	<u>Units</u>
$q_F$	Fuselage dynamic pressure	lb/ft <sup>2</sup>
$L_{LG}$	Landing gear position indicator	ND
$h_{CG}$	Altitude of aircraft	ft
$\dot{h}_{CG}$	Climb rate	ft/sec
$V_T$	Total linear velocity of the aircraft c.g. with respect to the air	ft/sec
$U$	x-velocity (longitudinal) of the aircraft c.g. in body axis with respect to the air	ft/sec
$\theta$	Euler pitch angle	rad
$\phi$	Euler roll angle	rad
$\psi$	Euler yaw angle	rad
$SL_{CG}$	Station line of c.g.	in
$WL_{CG}$	Water line of c.g.	in

Inputs: Constants, Coefficients, and Data Tables

$BL_{CG}$	Butt line of c.g.	in
$SL_{Gn}$	Station line of landing gear [where n = 1 (nose), 2 (right), 3 (left) landing gear]	in
$WL_{Gn}$	Water line of landing gear [where n = 1 (nose), 2 (right), 3 (left) landing gear]	in
$BL_{Gn}$	Butt line of landing gear [where n = 1 (nose), 2 (right), 3 (left) landing gear]	in

**SUBSYSTEM NO. 7B--LANDING GEAR (Concluded)**

Inputs: Constants, Coefficients, and Data Tables (Concluded)

<u>Symbol</u>	<u>Description</u>	<u>Units</u>
$Z_{TIRE_n}$	Maximum tire deflection	ft
$G_{1_n-4_n}$	Landing gear ground dynamic coefficients (gear oleo force)	ND
$(\mu_{o,1,s_n})$	Landing gear ground dynamic coefficients (gear rolling friction and side force)	ND
DPOD	Fuselage landing gear pod drag	ft <sup>2</sup>
$D_{o_{MGU}}$	Drag of the main landing gear during retraction, = f(t)	ft <sup>2</sup>
$D_{o_{NGU}}$	Drag of the nose landing gear during retraction, = f(t)	ft <sup>2</sup>
$D_{o_{MGD}}$	Drag of the main landing gear during extension, = f(t)	ft <sup>2</sup>
$D_{o_{NGD}}$	Drag of the nose landing gear during extension, = f(t)	ft <sup>2</sup>

Outputs:

$D_{MG}$	Aerodynamic drag on the main landing gear	lb
$D_{NG}$	Aerodynamic drag on the nose landing gear	lb
$(\Delta X, \Delta Y, \Delta Z)_{LG}$	Total landing gear forces in body axis	lb
$(\Delta l, \Delta M, \Delta N)_{LG}$	Total landing gear rolling, pitching, and yawing moments in body axis	ft-lb
$LG_{TLT}$	Landing gear touchdown light	ND

### Landing Gear Locations

$$X_n = SL_{CG} - SL_{Gn}$$

$$Y_n = BL_{CG} - BL_{Gn}$$

$$Z_n = WL_{CG} - WL_{Gn}$$

Where; n =1, nose gear  
=2, right gear  
=3, left gear

Buttlines positive to right.  
Waterlines defined with zero  
loads in landing gears.

### Aerodynamic Equations

#### A. Gear Extension

$$D_{MG} = q_F \left( D_{o_{MGD}}(t) + DPOD \right)$$

$$D_{NG} = q_F D_{o_{NGD}}(t)$$

#### B. Gear Retraction

$$D_{MG} = q_F \left( D_{o_{MGU}}(t) + DPOD \right)$$

$$D_{NG} = q_F D_{o_{NGU}}(t)$$

### Ground Dynamic Equations

#### A. Gear Height

$$h_{G_n} = \frac{h_{CG} + \sin \theta X_n - \sin \phi \cos \theta Y_n - \cos \phi \cos \theta Z_n}{\cos \phi \cos \theta}$$

$$\text{if } h_{G_n} > 0 \quad F_{GX_n} = F_{GY_n} = F_{GZ_n} = 0$$

#### B. Gear Oleo Force

$$F_{G_{o_n}} = F_{G_n \text{ STATIC}} + F_{G_n \text{ DYNAMIC}}$$

$$F_{G_n \text{ STATIC}} = F_{1_n \text{ STAT}} + F_{2_n \text{ STAT}} + F_{3_n \text{ STAT}}$$



B. Gear Oleo Force (Contd)

$$F_{G_n \text{ DYNAMIC}} = F_{1_n \text{ DYN}} + F_{2_n \text{ DYN}}$$

$$F_{1_n \text{ STAT}} = 0 \quad \text{IGSTOL} = 1.0$$

$$F_{2_n \text{ STAT}} = G_{1_n} / (G_{2_n} - Z_n') \quad \begin{array}{l} Z' < Z \text{ switch} \\ Z \text{ switch} = 20. \end{array}$$

$$F_{3_n \text{ STAT}} = G_{3_n} / (G_{4_n} - Z_n') \quad Z' > Z \text{ switch}$$

$$F_{1_n \text{ DYN}} = \left[ \frac{.5 m Z_n \dot{Z}_n |\dot{Z}_n|}{Z_{\text{TIRE}_n} (G_{2_n} - Z_{\text{TIRE}_n})} \right] C_{R_n}$$

$$F_{2_n \text{ DYN}} = \left[ \frac{.5 m \dot{Z}_n |\dot{Z}_n|}{(G_{2_n} - Z_{\text{TIRE}_n})} \right] C_{R_n}$$

Where;  $C_{R_n}$  = DCOMP or DEXT depending on stroke sign, DCOMP = 12,

$Z_n$  = Stroke, ft DEXT for n = 1 is 0.0,

$Z_n'$  = Oleo stroke, ft for n = 2,3 is 0.12.

$Z_{\text{TIRE}_n}$  = Max. tire deflection, ft

$\dot{Z}_n$  = Stroke rate, ft/sec

m = Mass, slugs

C. Gear Rolling Friction

$$F_{G_{\mu_n}} = - (\mu_o + \mu_1 U_{\text{ROLLING}}) F_{G_{O_n}} \frac{U}{|U|}$$

$$U_{\text{ROLLING}} = 1.0 - 0.1 U_G$$

$$\text{if } U_{\text{ROLLING}} < 0.0 \quad U_{\text{ROLLING}} = 0.0$$

$$\text{if } U < 1.0 \quad F_{G_{\mu_n}} = 0.0$$

D. Gear Side Force

$$F_{G_{S_n}} = -\mu_S F_{G_{O_n}} \frac{V}{|V|}$$

$$\text{if } V < 1.0 \quad F_{G_{S_n}} = 0.0$$

E. Gear Force and Moment Summation

$$F_{G_{X_n}} = F_{G_{\mu_n}} - F_{G_{O_n}} \theta$$

$$F_{G_{Y_n}} = F_{G_{S_n}} + F_{G_{O_n}} \phi$$

$$F_{G_{Z_n}} = F_{G_{\mu_n}} \sin \theta - F_{G_{S_n}} \sin \phi + F_{G_{O_n}}$$

$$l_{G_n} = + F_{G_{O_n}} Y_n - F_{G_{Y_n}} (Z_n + h_{G_n})$$

$$M_{G_n} = - F_{G_{O_n}} X_n + F_{G_{X_n}} (Z_n + h_{G_n})$$

$$N_{G_n} = - F_{G_{X_n}} Y_n + F_{G_{Y_n}} X_n$$

$$\Delta X_{LG} = \sum_1^3 F_{G_{X_n}}$$

$$\Delta l_{LG} = \sum_1^3 l_{G_n}$$

$$\Delta Y_{LG} = \sum_1^3 F_{G_{Y_n}}$$

$$\Delta M_{LG} = \sum_1^3 M_{G_n}$$

$$\Delta Z_{LG} = \sum_1^3 F_{G_{Z_n}}$$

$$\Delta N_{LG} = \sum_1^3 N_{G_n}$$

8a		CONTROLS	
Inputs: Variables		Outputs:	
<u>From Subsystem</u>	<u>Symbol</u>	<u>To Subsystem</u>	<u>Symbol</u>
17	$\theta_{oL/G}$ $\theta_{oR/G}$	1	$\theta_{oR}$ $\theta_{oL}$
8d	$X_{LN}$ $X_{LT}$ $X_{PD}$ $X_{COL}$ $X_{FL}$ $X_{LG}$ IDIFF INACB		$A_{1L}$ $B_{1L}$ $A_{1R}$ $B_{1R}$
		5	$\delta_e$
		6	$\delta_r$ $\delta_F$
20	PSCAS RSCAS YSCAS	4	$\delta_a$ $\delta_F$
		7	$L_{LG}$
12	U	1, 2, 4 5, 6, 9 10b, 14, 17, 18 20	$\beta_m$
		9	$\dot{\beta}_m$
		18	$X_{THR}$ $X_{THL}$
Inputs: Contants, Coefficients, and Data Tables			
Constants: COLRATE, $\Delta\theta_{oLIM}$ , PBM MAX, PBM MIN, $\delta_{B1}$ , $X_{LNN}$ , $X_{LTN}$ , $X_{PDN}$ Coefficients: $\partial\delta_e/\partial X_{LN}$ , $\partial\delta_r/\partial X_{PD}$ , $\partial\delta_a/\partial X_{LT}$ , $\partial\delta_F/\delta t$ , $\omega_n$ , $\zeta_D$			

(Continued on next page)

**8a****CONTROLS (CONCLUDED)**

Inputs: Constants, Coefficients, and Data Tables (Concluded)

Data Tables: $\partial B_1 / \partial X_{LN} = f(\beta_m)$	Table 8a-I
$\partial B_1 / \partial X_{PD} = f(\beta_m, U)$	Table 8a-II
$\partial \theta_o / \partial X_{LT} = f(\beta_m)$	Table 8a-III
$\partial \theta_o / \partial X_{COL} = f(\beta_m)$	Table 8a-IV
$\theta_{oLL} = f(\beta_m)$	Table 8a-IV
$\dot{\beta}_{mC} = f(\beta_m)$	Table 8a-V
$X_{THR,L} = f(X_{COL})$	Table 8a-VI
$A_{1B_m} = f(\beta_m)$	Table 8a-VII
$A_{1V_T} = f(U)$	Table 8a-VIII

**SUBSYSTEM NO. 8a: CONTROLS**

Variables:

<u>Symbol</u>	<u>Description</u>	<u>Units</u>
$\theta_{oL/G}$	Left rotor collective pitch input from the left rotor collective governor	deg
$\theta_{oR/G}$	Right rotor collective pitch input from the right rotor collective governor	deg
$X_{LN}$	Longitudinal stick position, inches from full aft	in
$X_{LT}$	Lateral stick position, inches from full left	in
$X_{PD}$	Pedal position, inches from full left	in
$X_{COL}$	Collective stick position, inches from full down	in
$X_{FL}$	Position of flap indicator	ND
$X_{LG}$	Position of landing gear indicator	ND
IDIFF	Differential collective switch position	ND
INACB	Nacelle beep switch position	ND
PSCAS	Pitch (elevator) SCAS input	in
RSCAS	Roll (Aileron) SCAS input	in
YSCAS	Yaw (rudder) SCAS input	in
U	x-velocity (longitudinal) of rotorcraft c.g. in body axis with respect to the air	ft/sec

**SUBSYSTEM NO. 8a: CONTROLS (Continued)**

Inputs: Constants, Coefficients, and Data Tables

<u>Symbol</u>	<u>Description</u>	<u>Units</u>
COLRATE	Differential collective trim rate constant	deg/sec
$\Delta\theta_{OLIM}$	Differential collective trim limit	deg
PBMMAX	Maximum forward pylon position	deg
PBMMIN	Maximum aft pylon position	deg
$\delta_{B1}$	B1 offset rigging constant	deg
$X_{LNN}$	Longitudinal stick neutral position	in
$X_{LTN}$	Lateral stick neutral position	in
$X_{PDN}$	Pedal neutral position	in
$\partial\delta_e/\partial X_{LN}$	Elevator to longitudinal stick position gearing ratio	deg/in
$\partial\delta_r/\partial X_{PD}$	Rudder to pedal position gearing ratio	deg/in
$\partial\delta_a/\partial X_{LT}$	Aileron to lateral stick position gearing ratio	deg/in
$\partial\delta_f/\partial t$	Rate of change of flaps with time	deg/sec
$\omega_n$	Lateral flapping controller natural frequency	rad/sec
$\zeta_d$	Lateral flapping controller damping parameter	ND
$\partial B_1/\partial X_{LN}$	Longitudinal cyclic pitch control gearing ratio, = $f(\beta_m)$	deg/in
$\partial B_1/\partial X_{PD}$	Differential cyclic pitch control gearing ratio, = $f(\beta_m, U)$	deg/in
$\partial\theta_o/\partial X_{LT}$	Differential collective pitch control gearing ratio, = $f(\beta_m)$	deg/in

**SUBSYSTEM NO. 8a: CONTROLS (Continued)**

Inputs: Constants, Coefficients, and Data Tables (Concluded)

<u>Symbol</u>	<u>Description</u>	<u>Units</u>
$\partial\theta_o/\partial X_{COL}$	Collective pitch control gearing ratio, = $f(\beta_m)$	deg/in
$\theta_{oLL}$	Root collective pitch lower limit, = $f(\beta_m)$	deg
$\dot{\beta}_{mC}$	Commanded mast conversion rate, = $f(\beta_m)$	deg/sec
$X_{THR}$	Right engine throttle position at the fuel control	deg
$A_{1B_m}$	Lateral flapping controller coefficient, = $f(\beta_m)$	ND
$A_{1V_T}$	Lateral flapping controller coefficient, = $f(U)$	deg

Outputs:

$\theta_{oR}$	Right rotor root collective pitch	rad
$\theta_{oL}$	Left rotor root collective pitch	rad
$A_{1L}$	Left rotor lateral cyclic input	rad
$B_{1L}$	Left rotor forward cyclic input	rad
$A_{1R}$	Right rotor lateral cyclic input	rad
$B_{1R}$	Right rotor forward cyclic input	rad
$\delta_e$	Elevator mean deflection angle (+ trailing edge down)	deg
$\delta_r$	Rudder mean deflection angle (+ trailing edge right)	deg
$\delta_F$	Flap position	deg

**SUBSYSTEM NO. 8a: CONTROLS (Concluded)**

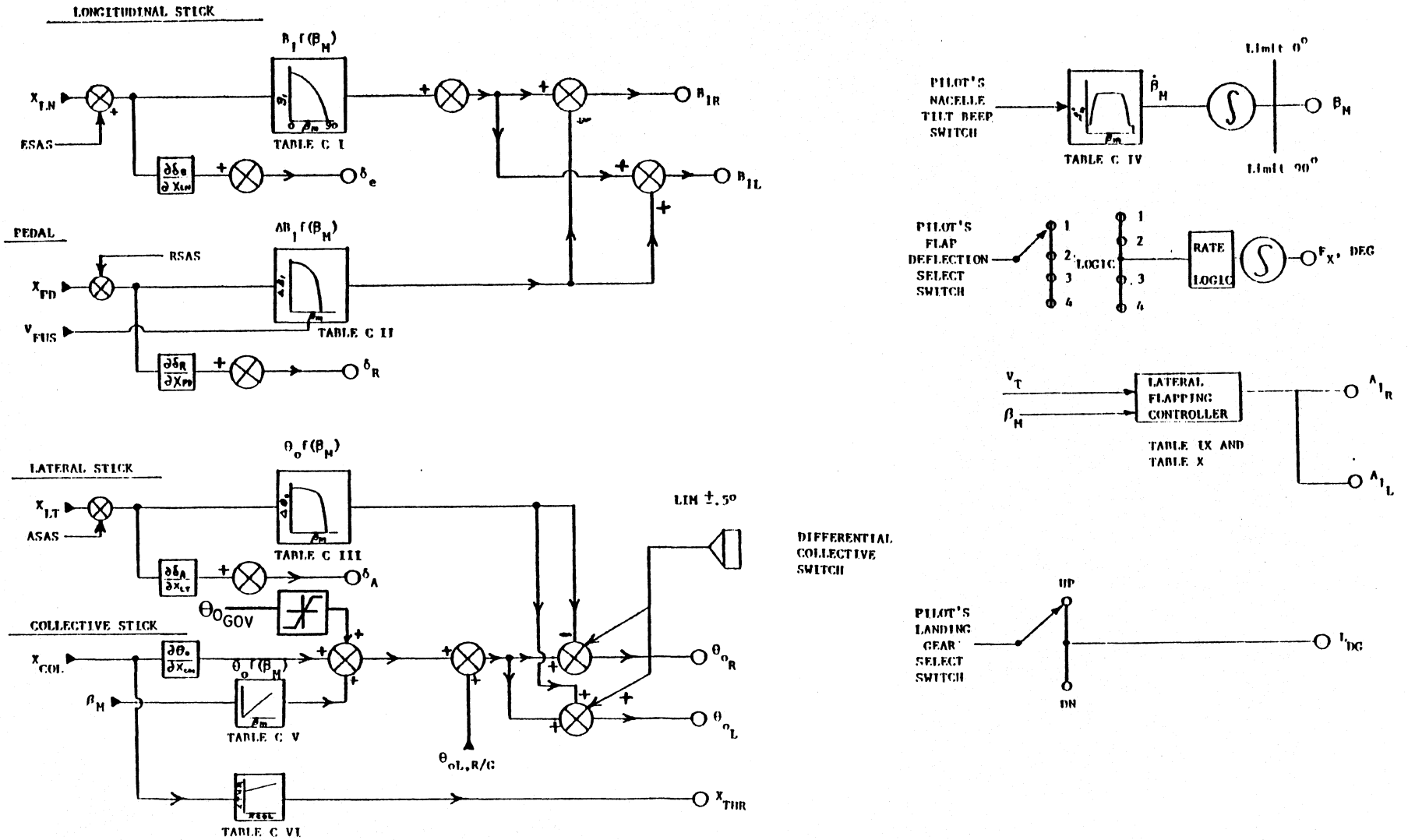
Outputs: (Concluded)

<u>Symbol</u>	<u>Description</u>	<u>Units</u>
$\delta_a$	Aileron mean deflection angle (+ right aileron up)	deg
$L_{LG}$	Landing gear position indicator	ND
$\beta_m$	Mast conversion angle (+ fwd, 0 deg = vertical or helicopter, 90 deg = horizontal or airplane)	deg
$\dot{\beta}_m$	Mast conversion rate	deg/sec
$X_{THR}$	Right engine throttle position at the fuel control	deg
$X_{THL}$	Left engine throttle position at the fuel control	deg



Figure A8a-1.

CONTROL SYSTEM BLOCK DIAGRAM



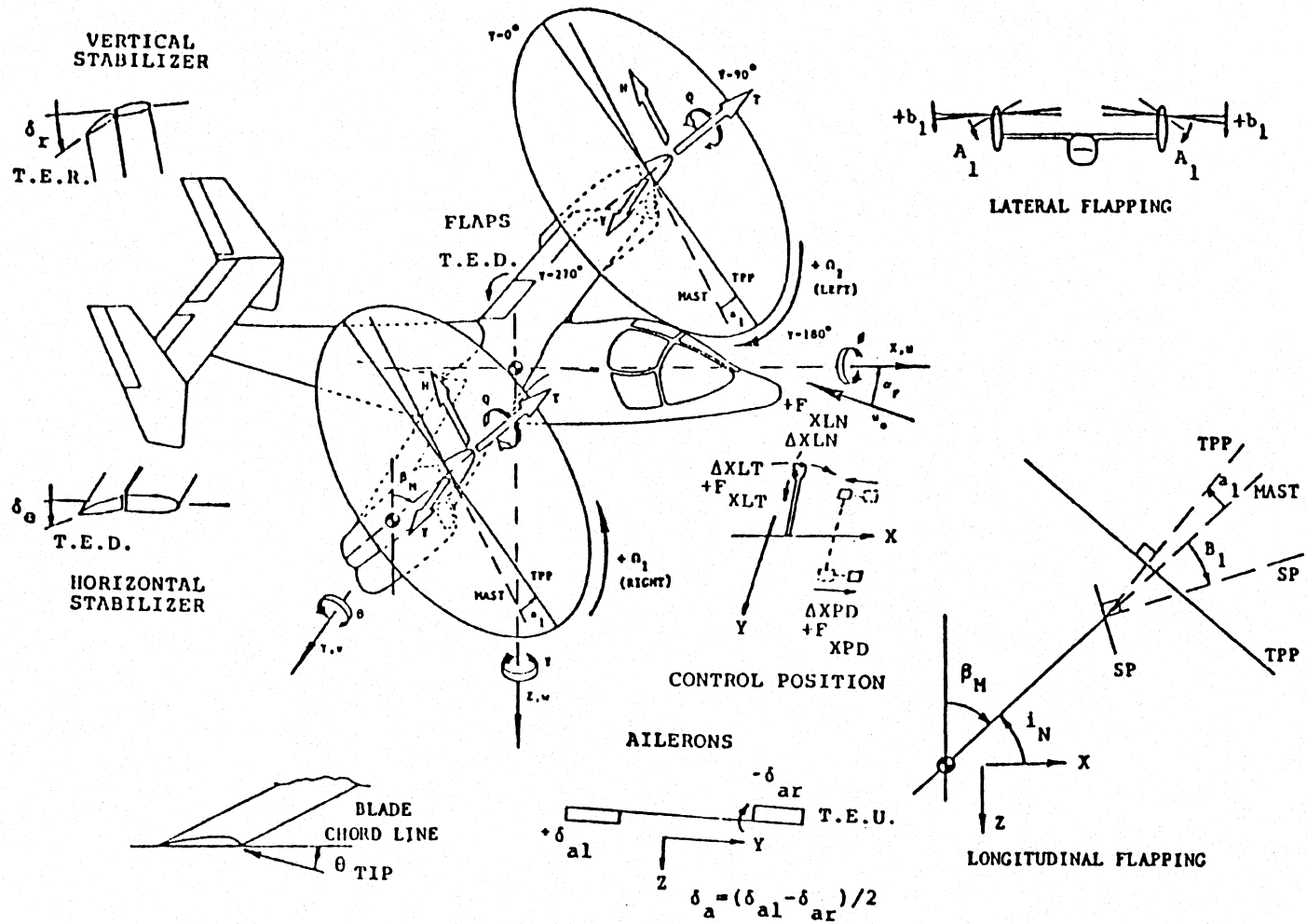


Figure A8a-2. Control Position/Force-Force and Moment Sign Convention

## EQUATIONS

### SUBSYSTEM NO. 8a--CONTROLS

#### A. Collective Pitch

$$\theta_{oR} = \left( \frac{\partial \theta_o}{\partial X_{COL}} \right) (X_{COL}) + \theta_{oLL} + \theta_{oR/G}$$

$$- \left( \frac{\partial \theta_o}{\partial X_{LT}} \right) (X_{LT} - X_{LTN} + RSCAS) + \Delta \theta_o$$

$$\theta_{oL} = \left( \frac{\partial \theta_o}{\partial X_{COL}} \right) (X_{COL}) + \theta_{oLL} + \theta_{oL/G}$$

$$+ \left( \frac{\partial \theta_o}{\partial X_{LT}} \right) (X_{LT} - X_{LTN} + RSCAS) + \Delta \theta_o$$

#### B. Differential Collective Trim

$$\Delta \theta_o = \Delta \theta_o + (COLRATE)(\Delta t)(IDIFF)$$

where

$\Delta \theta_o$  is limited to  $\Delta \theta_{oLIM}$

$\Delta t$  is the simulation cycle time

IDIFF is the pilot actuated differential collective trim switch that is a (left, off, right) setting corresponding to (-1, 0, 1) in value

#### C. Longitudinal Cyclic

$$B_{iR} = \left( \frac{\partial B_1}{\partial X_{LN}} \right) (X_{LN} - X_{LNN} + PSCAS)$$

$$- \left( \frac{\partial B_1}{\partial X_{PD}} \right) (X_{PD} - X_{PDN} + YSCAS) + \delta_{B_1} (1 - \cos \beta_m)$$

EQUATIONS (Continued)

SUBSYSTEM NO. 8a--CONTROLS

C. Longitudinal Cyclic (Concluded)

$$B_{1L} = \left( \frac{\partial B_1}{\partial X_{LN}} \right) (X_{LN} - X_{LNN} + PSCAS) \\ + \left( \frac{\partial B_1}{\partial X_{PD}} \right) (X_{PD} - X_{PDN} + YSCAS) + \delta_{B1} (1 - \cos \beta_m)$$

D. Lateral Cyclic

$$A_{1R} = A_{1L} = 0$$

Note: This function could be added if the control law is desired.  
Lateral cyclic is not used in the basic XV-15 control system.

E. Elevator, Rudder, Aileron

$$\delta_e = \left( \frac{\partial \delta_e}{\partial X_{LN}} \right) (X_{LN} - X_{LNN} + PSCAS)$$

$$\delta_r = \left( \frac{\partial \delta_r}{\partial X_{PD}} \right) (X_{PD} - X_{PDN} + YSCAS)$$

$$\delta_a = \left( \frac{\partial \delta_a}{\partial X_{LT}} \right) (X_{LT} - X_{LTN} + RSCAS)$$

F. Nacelle Tilt

$$\dot{\beta}_m = \left( \dot{\beta}_{mC} \right) (INACB)$$

where

INACB equals (1, 0, -1) = (fwd, neutral, aft) on the pilot's nacelle tilt keep switch

$$\dot{\beta}_{mC} = f(\beta_m)$$

EQUATIONS (Concluded)

SUBSYSTEM NO. 8a--CONTROLS

F. Nacelle Tilt (Concluded)

$$\beta_m = \int_0^t \beta_m dt$$

where

$\beta_m$  is limited such that  $PBMMIN \leq \beta_m \leq PBMMAX$

G. Flap Selector

The discreet flap/flaperon settings are:

$$0/0 \text{ deg} = X_{FL1}$$

$$20/12.5 \text{ deg} = X_{FL2}$$

$$40/25 \text{ deg} = X_{FL3}$$

$$75/47 \text{ deg} = X_{FL4}$$

where

$X_{FLn}$  is the pilot's flap selector (a four position switch)

H. Landing Gear Selector

$$L_{LG} = (0, 1) = (\text{up}, \text{down})$$

where



$X_{LG}$  is the pilot's gear selector in a discrete up or down position

I. Lateral Cyclic (Lateral Flapping Controller)

$$A_{1R} = (A_{1Bm})(A_{1VT}) \left[ \frac{1}{\left(\frac{1}{\omega_n^2}\right)s^2 + \left(\frac{\zeta}{\omega_n}\right)s + 1} \right]$$

$$A_{1L} = A_{1R}$$

$$\text{If } U < 0.0, \quad A_{1R} = 0.0$$

8b	FORCE FEEL SYSTEM	
Inputs: Variables		Outputs:
<p><u>From Subsystem</u></p> 	<p><u>Symbol</u></p> <p><math>q_F</math></p> <p><math>X_{LNT}</math> <math>X_{LTT}</math> <math>X_{PDT}</math></p> <p>IMB IFFON IFFENG IAN</p>	<p><u>To Subsystem</u></p> <div style="border: 1px solid black; padding: 5px; display: inline-block; margin-bottom: 10px;">To analog control loaders (8d)</div>  <p><u>Symbol</u></p> <p><math>G_{XLN}</math> <math>G_{XLT}</math> <math>G_{XPD}</math> <math>\zeta_{XLN}</math> <math>\zeta_{XLT}</math> <math>\zeta_{XPD}</math> <math>H_{XLN}</math> <math>H_{XPD}</math> <math>H_{XLT}</math></p>
Inputs: Constants, Coefficients, and Data Tables		
<p>Constants: None</p> <p>Coefficients: <u>Longitudinal Axis</u></p> <p style="padding-left: 40px;"><math>G_{LNO}, G_{LN1}, K_{LN}, \zeta_{LN}, H_{LN}</math></p> <p><u>Lateral Axis</u></p> <p style="padding-left: 40px;"><math>G_{LTO}, G_{LT1}, K_{LT}, \zeta_{LT}, H_{LT}</math></p> <p><u>Directional Axis</u></p> <p style="padding-left: 40px;"><math>G_{PDO}, G_{PD1}, \zeta_{PD}, H_{PD}, H_{RUD}, F_{ACTRUD\_LIM}</math></p> <p><u>FFS ON</u></p> <p style="padding-left: 40px;"><math>\dot{X}_{LNT0}, \dot{X}_{LNT1}, \dot{X}_{LTT0}, \dot{X}_{LTT1}, \dot{X}_{PDT0}, \dot{X}_{PDT1}</math></p> <p><u>FFS OFF</u></p> <p style="padding-left: 40px;"><math>\dot{X}_{LNT0}</math></p> <p>Data Tables: None</p>		

SUBSYSTEM NO. 8b—FORCE FEEL SYSTEM

Inputs: Variables

<u>Symbol</u>	<u>Description</u>	<u>Units</u>
$q_F$	Fuselage dynamic pressure	lb/ft <sup>2</sup>
$X_{LNT}$	Longitudinal stick force feel trim position	in
$X_{LTT}$	Lateral stick force feel trim position	in
$X_{PDT}$	Pedal force feel trim position	in
IMB	Force feel system release switch	ND
IFFON	Force feel system ON/OFF switch	ND
IFFENG	Force feel system engage switch	ND
IAN	Yaw trim switch	ND

Inputs: Constants, Coefficients, and Data Tables

$G_{LNO}$	Longitudinal force feel system gradient	lb/in
$G_{LNI}$	Longitudinal force feel system gradient	lb/in/PSF
$K_{LN}$	Longitudinal force feel system constant (system off)	lb/in
$\zeta_{LN}$	Longitudinal force feel system viscous damping coefficient	ND
$H_{LN}$	Longitudinal force feel system hysteresis force	lb
$G_{LTO}$	Lateral force feel system gradient	lb/in
$G_{LTI}$	Lateral force feel system gradient	lb/in/PSF

SUBSYSTEM NO. 8b—FORCE FEEL SYSTEM (Continued)

Inputs: Constants, Coefficients, and Data Tables (Concluded)

Symbol	Description	Units
$K_{LT}$	Lateral force feel system constant (system off)	lb/in
$\zeta_{LT}$	Lateral force feel system viscous damping coefficient	ND
$H_{LT}$	Lateral force feel system hysteresis force	lb
$G_{PDO}$	Pedal force feel system gradient	lb/in
$G_{PDI}$	Pedal force feel system hysteresis	lb/in/PSF
$\zeta_{PD}$	Pedal force feel system viscous damping coefficient	ND
$H_{PD}$	Pedal force feel system hysteresis force	lb
$H_{RUD}$	Rudder force feel constant	ft <sup>2</sup> /in
$F_{ACT_{RUD_{LIM}}}$	Rudder force feel actuator limit	lb
$\dot{X}_{LNT0}$	Longitudinal trim rate force feel system constant	in/sec
$\dot{X}_{LNT1}$	Longitudinal trim rate force feel system constant	in/sec/PSF
$\dot{X}_{LTT0}$	Lateral trim rate force feel system constant	in/sec
$\dot{X}_{LTT1}$	Lateral trim rate force feel system constant	in/sec/PSF
$\dot{X}_{PDT0}$	Pedal trim rate force feel system constant	in/sec
$\dot{X}_{PDT1}$	Pedal trim rate force feel system constant	in/sec/PSF



**SUBSYSTEM NO. 8b—FORCE FEEL SYSTEM (Concluded)**

Outputs:

<u>Symbol</u>	<u>Description</u>	<u>Units</u>
$G_{XLN}$	Longitudinal force feel system gradient (system on)	lb/in
$G_{XLT}$	Lateral force feel system gradient (system on)	lb/in
$G_{XPD}$	Pedal force feel system gradient (system on)	lb/in
$\zeta_{XLN}$	Longitudinal force feel viscous damping coefficient	ND
$\zeta_{XLT}$	Lateral force feel viscous damping coefficient	ND
$\zeta_{XPD}$	Pedal force feel viscous damping coefficient	ND
$H_{XLN}$	Longitudinal force feel system hysteresis force	lb
$H_{XLT}$	Lateral force feel system hysteresis force	lb
$H_{XPD}$	Pedal force feel system hysteresis force	lb

EQUATIONS:

A. Force feel system ON gradients:

$$G_{XLN} = G_{LNO} + G_{LN1} q_F$$

$$G_{XLT} = G_{LTO} + G_{LT1} q_F$$

$$G_{XPD} = G_{PDO} + G_{PD1} q_F$$

Viscous Damping:

$$\zeta_{XLN} = \zeta_{XLT} = \zeta_{XPD} = \zeta_{FFS}$$

Hysteresis

$$H_{XLN} = H_{XLT} = H_{XPD} = 0$$

Note: Adjust McFadden loader such that stick mass at the reference point on the grip is effectively 0.172 slugs and the pedal mass is effectively 0.183 slugs (for two pedals).

B. Force Feel System OFF

$$G_{XLN} = K_{LN}$$

$$G_{XLT} = K_{LT}$$

$$G_{XPD} = F_{RUD} / (X_{PD} - X_{PDT})$$

$$F_{RUD} = \left| H_{RUD} q_F (X_{PD} - X_{PDT}) \right| - F_{ACT_{RUD_{LIM}}}$$

If  $F_{RUD} \leq 0$ , set  $F_{RUD} = 0$

If  $F_{RUD} > 0$ , set  $F_{RUD} = F_{RUD}$

$$\zeta_{XLN} = \zeta_{XLT} = \zeta_{XPD} = 0$$

Hysteresis:

$$H_{XLN} = H_{LN}$$

$$H_{XLT} = H_{LT}$$

$$H_{XPD} = H_{PD}$$

C. Trim Rate and Position

$$\dot{X}_{LNT} = \dot{X}_{LNT0} + \dot{X}_{LNT1} q_F$$

$$\dot{X}_{LTT} = \dot{X}_{LTT0} + \dot{X}_{LTT1} q_F$$

$$\dot{X}_{PDT} = \dot{X}_{PDT0} + \dot{X}_{PDT1} q_F$$

$$X_{LNT} = \frac{1}{S} \dot{X}_{LNT}$$

$$X_{LTT} = \frac{1}{S} \dot{X}_{LTT}$$

$$X_{PDT} = \frac{1}{S} \dot{X}_{PDT}$$

D. Relief Value (force limiter)

$$\text{If } X_{LNT} \geq \frac{15.75}{|G_{XLN} - K_{LN}|} \text{ then } G_{XLN} = K_{LN}; G_{XLN} X_{LNT} \leq 25.$$

$$\text{If } X_{LTT} \geq \frac{4.8}{|G_{XLT} - K_{LT}|} \text{ then } G_{XLT} = K_{LT}; G_{XLT} X_{LTT} \leq 25.$$

$$G_{XPD} X_{PDT} \leq 25.$$

8c		CONTROL FORCE TRIM SYSTEM	
Inputs: Variables		Outputs:	
<u>From Subsystem</u>	<u>Symbol</u>	<u>To Subsystem</u>	<u>Symbol</u>
(3) (8d) ↓	$q_F$ $X_{LN}$ $X_{LT}$ $X_{PD}$ $B_{FT}^{XLN}$ $B_{FT}^{XLT}$ $B_{FT}^{XPD}$	(8b) ↓	$X_{LNT}$ $X_{LTT}$ $X_{PDT}$
Inputs: Constants, Coefficients, and Data Tables			
Constants: None			
Coefficients: $\dot{x}_{LNT0}, \dot{x}_{LNT1}, \dot{x}_{LTT0}, \dot{x}_{LTT1}, \dot{x}_{PDT0}, \dot{x}_{PDT1}$			
Data Tables: None			

SUBSYSTEM NO. 8c—CONTROL FORCE TRIM SYSTEM

Inputs: Variables

<u>Symbol</u>	<u>Description</u>	<u>Units</u>
$q_F$	Fuselage dynamic pressure	lb/ft <sup>2</sup>
$X_{LN}$	Longitudinal stick position, inches from full aft	in
$X_{LT}$	Lateral stick position, inches from full left	in
$X_{PD}$	Pedal position, inches from full left	in
$B_{FT_{XLN}}$	Longitudinal control force trim switch constant	ND
$B_{FT_{XLT}}$	Lateral control force trim switch constant	ND
$B_{FT_{XPD}}$	Pedal control force trim switch constant	ND

Inputs: Constants, Coefficients, and Data Tables

$\dot{X}_{LNT0}$	Longitudinal trim rate force feel system constant	in/sec
$\dot{X}_{LNT1}$	Longitudinal trim rate force feel system constant	in/sec/PSF
$\dot{X}_{LTT0}$	Lateral trim rate force feel system constant	in/sec
$\dot{X}_{LTT1}$	Lateral trim rate force feel system constant	in/sec/PSF
$\dot{X}_{PDT0}$	Pedal trim rate force feel system constant	in/sec
$\dot{X}_{PDT1}$	Pedal trim rate force feel system constant	in/sec/PSF

SUBSYSTEM NO. 8c—CONTROL FORCE TRIM SYSTEM (Concluded)

Outputs:

<u>Symbol</u>	<u>Description</u>	<u>Units</u>
X <sub>LNT</sub>	Longitudinal stick force feel trim position	in
X <sub>LTT</sub>	Lateral stick force feel trim position	in
X <sub>PDT</sub>	Pedal stick force feel trim position	in

EQUATIONS:

$$X_{LNT} = X_{LNT_0} + (\text{SIGN } \beta_{FT_{XLN}}) * \int_0^t \dot{X}_{LNT}$$

where:  $\dot{X}_{LNT} = \dot{X}_{LNT0} + \dot{X}_{LNT1} * q_F$

$$X_{LTT} = X_{LTT_0} + (\text{SIGN } \beta_{FT_{XLT}}) * \int_0^t \dot{X}_{LTT}$$

where:  $\dot{X}_{LTT} = \dot{X}_{LTT0} + \dot{X}_{LTT1} * q_F$

$$X_{PDT} = X_{PDT_0} + (\text{SIGN } \beta_{FT_{XPD}}) * \int_0^t \dot{X}_{PDT}$$

where:  $\dot{X}_{PDT} = \dot{X}_{PDT0} + \dot{X}_{PDT1} * q_F$

Note: Perform indicated integration only when  $\beta_{FT_i} \neq 0$ .  
(i.e., trim switch on)

8d		PILOT'S CONTROL FUNCTION	
Inputs: Variables		Outputs:	
<u>From Subsystem</u>	<u>Symbol</u>	<u>To Subsystem</u>	<u>Symbol</u>
From analog control loaders	FLN FLT FPD	8a, 8c, 20	X <sub>LN</sub> X <sub>LT</sub> X <sub>PD</sub>
		8a	X <sub>COL</sub>
		7A	$\delta_{B_n}$ $\delta_{NW}$
		8a	X <sub>FL</sub> X <sub>LG</sub> IDIFF INACB
		8c	B <sub>FT</sub> X <sub>LN</sub> B <sub>FT</sub> X <sub>LT</sub> B <sub>FT</sub> X <sub>PD</sub>
		8b	IMB IFFON IFFENG IAN
		17	IRPM MENB IGB IGOVENG
		17, 19	RPM <sub>SEL</sub>
		20	ISCRLS IQDAMP IPDAMP IRDAMP IPCH IRCH IFAH ISCENG
Inputs: Constants, Coefficients, and Data Tables			
<u>Pilot in the Loop</u>			



**SUBSYSTEM NO. 8d: PILOT'S CONTROL FUNCTION**

Inputs: Variables

<u>Symbol</u>	<u>Description</u>	<u>Units</u>
$F_{LN}$	Longitudinal stick force from the pilot (+ fwd)	lb
$F_{LT}$	Lateral stick force from the pilot (+ right)	lb
$F_{PD}$	Pedal force from the pilot (+ right)	lb

Outputs:

$X_{LN}$	Longitudinal stick position, inches from full aft	in
$X_{LT}$	Lateral stick position, inches from full left	in
$X_{PD}$	Pedal position, inches from full left	in
$X_{COL}$	Collective stick position, inches from full down	in
$\delta_{B_n}$	Brake pedal deflection	deg
$\delta_{NW}$	Nose wheel steering angle	rad
$X_{FL}$	Position of flap indicator	ND
$X_{LG}$	Position of landing gear indicator	ND
IDIFF	Differential collective switch position	ND
INACB	Nacelle beep switch position	ND
$B_{FT_{XLN}}$	Longitudinal control force trim switch constant	ND
$B_{FT_{XLT}}$	Lateral control force trim switch constant	ND
$B_{FT_{XPD}}$	Pedal control force trim switch constant	ND

**SUBSYSTEM NO. 8d: PILOT'S CONTROL FUNCTION (Concluded)**

Outputs: (Concluded)

<u>Symbol</u>	<u>Description</u>	<u>Units</u>
IMB	Force feel system trim release switch	ND
IFFON	Force feel system ON/OFF switch	ND
EFFENG	Force feel system engage switch	ND
IAN	Yaw trim switch	ND
IRPM	RPM adjustment wheel (increase/decrease)	ND
MENB	Pylon lock switch	ND
IGB	RPM governor disengage switch	ND
IGOVENG	RPM governor engage switch	ND
RPM <sub>SEL</sub>	Pilot's selected operating rotor speed	RPM
ISCRLS	SCAS release switch	ND
IQDAMP	Pitch SCAS ON/OFF switch	ND
IPDAMP	Roll SCAS ON/OFF switch	ND
IRDAMP	Yaw SCAS ON/OFF switch	ND
IPCH	Pitch channel switch (Channel 1, 2, both)	ND
IRCH	Roll channel switch (Channel 1, 2, both)	ND
IFAH	Attitude retention ON/OFF switch	ND
ISCENG	SCAS engage switch	ND

Figure A8d-1. XV-15  
Collective Head Switches

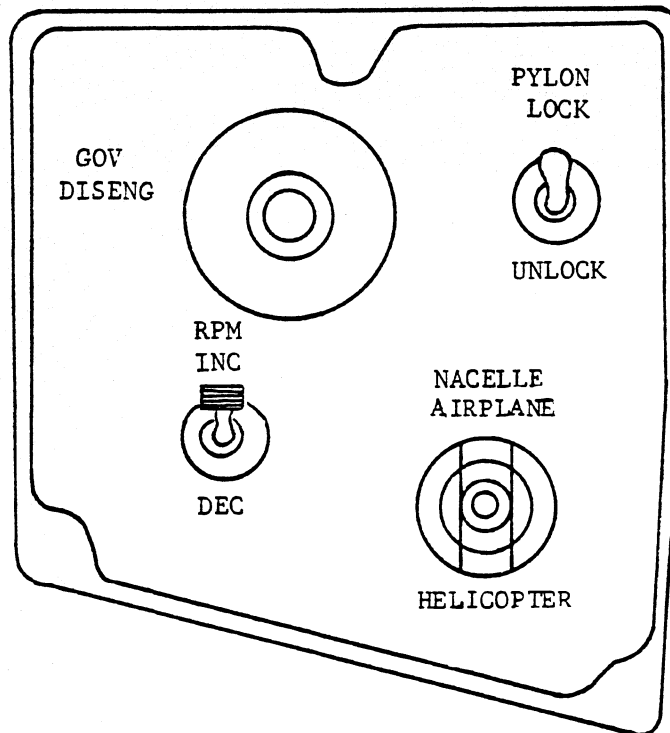


Figure A8d-2. XV-15

CYCLIC  
GRIP  
SWITCHES

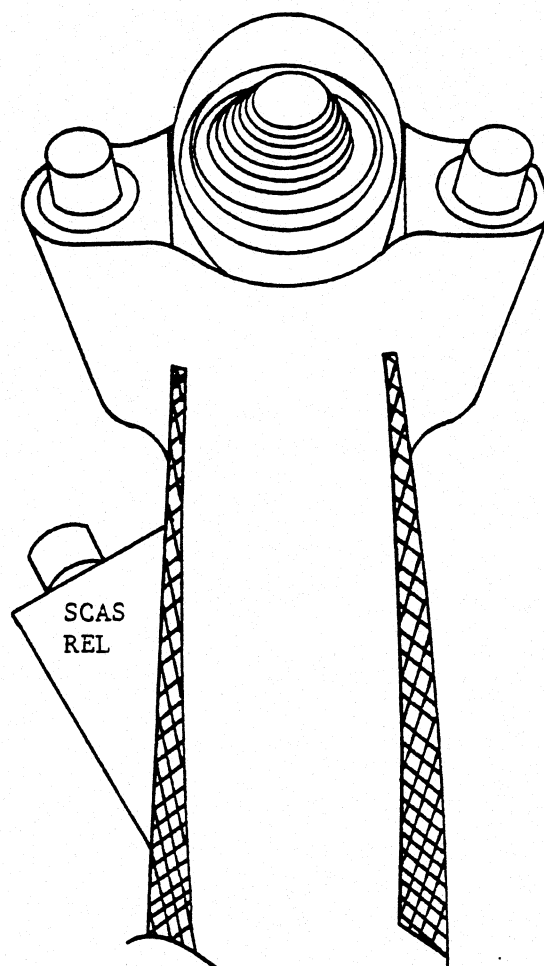
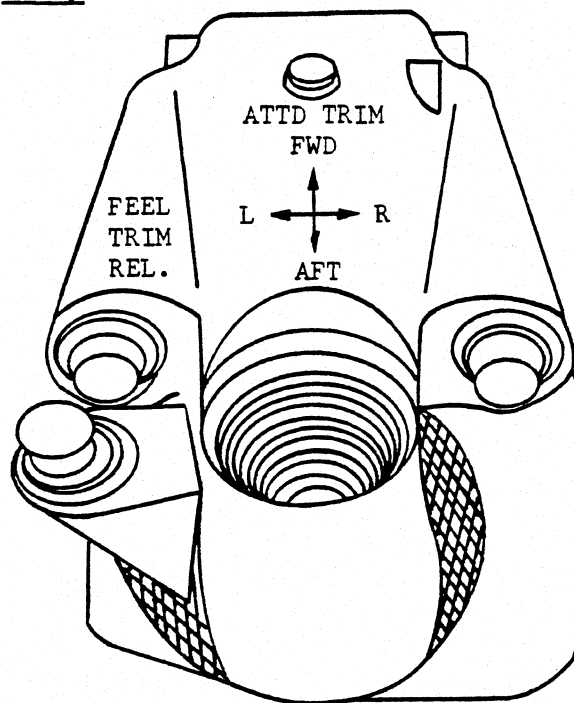
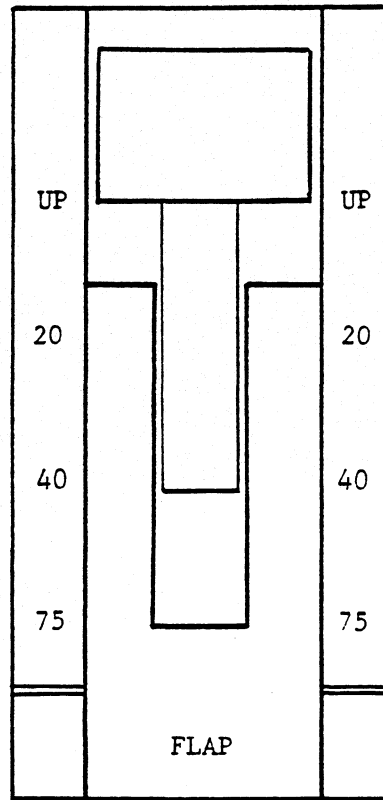


Figure A8d-3. XV-15 Flap Switch Selector Control



SELECTOR SWITCH  
FLAP CONTROL

Similar to  
Avionic Products Engineering Corp.  
758001-1 (Drwg. D758)

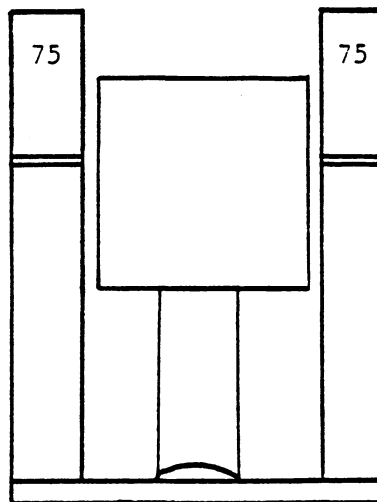


Figure A8d-4. XV-15 SCAS Control Panel

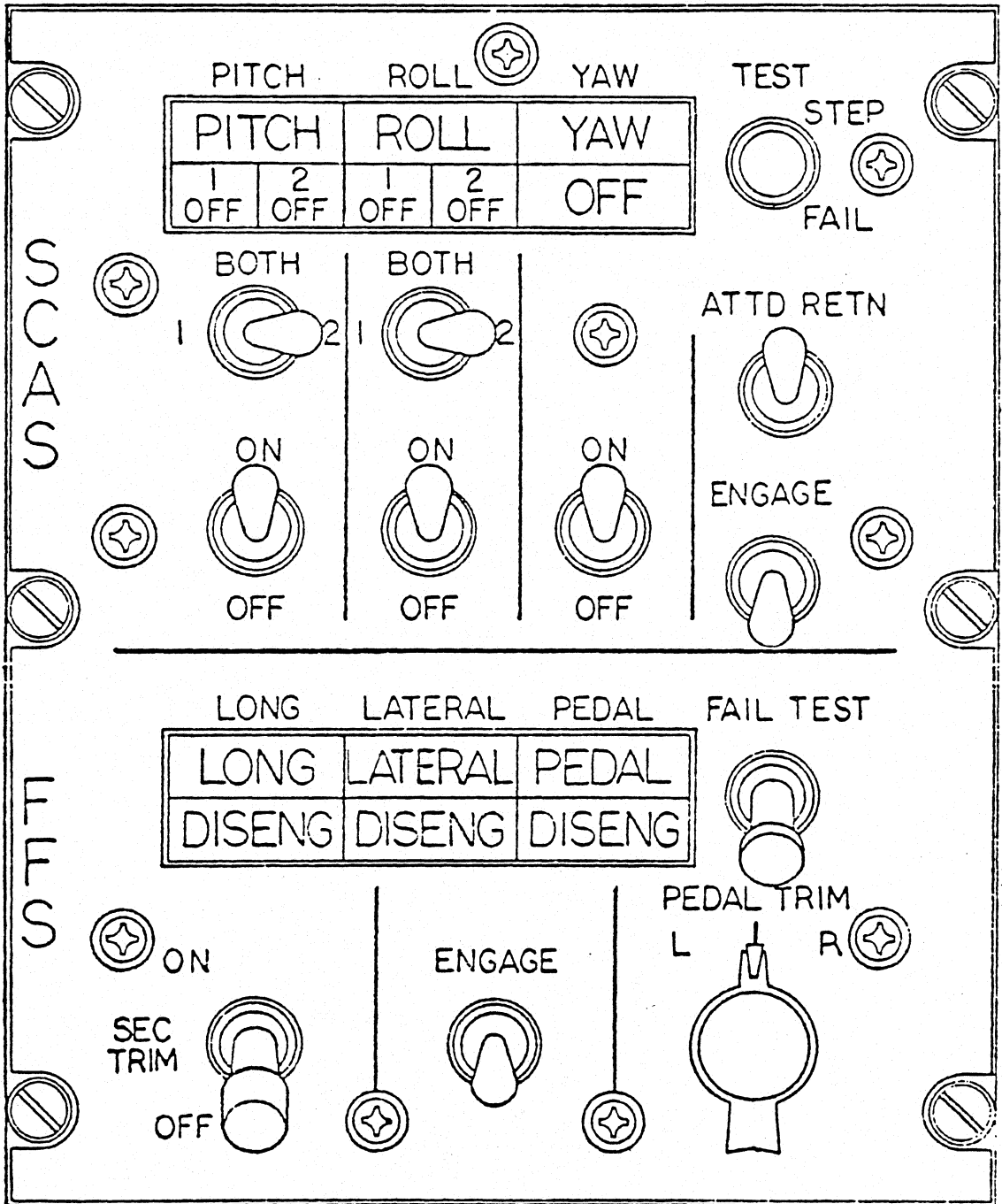
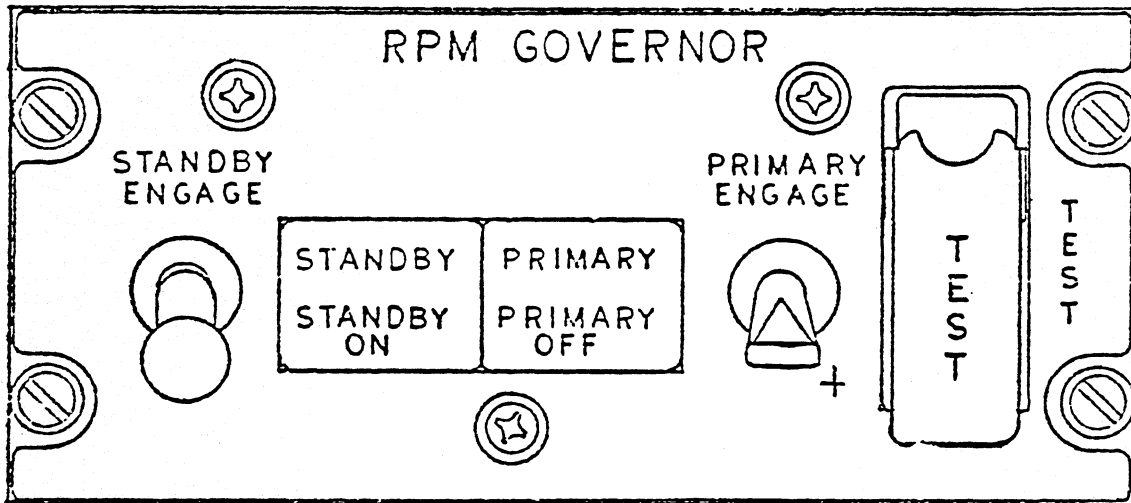


Figure A8d-5. XV-15 Governor Control Panel



## SUBSYSTEM CONTROLS AND FAILURE LOGIC

### I. SCAS Control Panel

#### Lights:

PITCH - ROLL - YAW

OFF

- lights out during normal operation (system engaged)

ON (RED)

- illuminates to indicate when the respective axis fails

1 OFF - 2 OFF - OFF

OFF

- lights out during normal operation (system engaged) and master power switch OFF.

ON (AMBER)

- illuminates when pilot selects channel (1 or 2) for pitch or roll axis, or turns yaw axis off;

- all five lights on when system is disengaged by pilot from the SCAS disengage on cyclic stick, SCAS power switches and Master Power ON;

- all five lights on when SCAS power switches are set to off with master power ON

- master caution "on" when any "OFF" light is "on"

#### Switches:

ON/OFF

- Two position, used to apply power to the system. ON switch engages SCAS gyros but does not actuate system.

1/BOTH/2

- Three position, used to select channel number 1, BOTH, or number 2.

ENGAGE

- Momentary on, used to activate the SCAS system to the configuration preset by the ON/OFF and 1/BOTH/2 switches.



I. SCAS Control Panel (Continued)

Switches:

- |                    |  |
|--------------------|--|
| ATTITUDE RETENTION | - Solenoid held, used to turn attitude retention ON/OFF. Switch pops to OFF position upon attitude retention failure.  |
| TEST               | - Three position center off switch spring loaded to off position (nonfunctional for simulation).   |
| SCAS DISENGAGE     | - Pushbutton located on the cyclic grip, used to manually disengage all axes simultaneously. SCAS is disengaged by the SCAS disengage switch on the cyclic stick. The SCAS is deactivated and the actuators centered. SCAS OFF panel lights and CAUTION light will come on. All axes may be re-engaged with the engage switch on the SCAS panel and all lights will go out, providing the ON/OFF switches were left in the ON position during the time the SCAS was manually disengaged. |

Start Procedure:

Upon entering the aircraft, master power off and SCAS power switches OFF, all SCAS panel lights will be off. Turn master power ON, SCAS power switches OFF, all five SCAS "OFF" and master caution lights will be illuminated. Turn on SCAS switches to power the system and gyros. Engage the SCAS with the SCAS ENGAGE switch, system is then activated and SCAS "OFF" lights will go out.

SCAS Failures:

- |                |   |
|----------------|---|
| Single Channel | - PITCH, ROLL, or YAW plus CAUTION lights will come ON indicating the failed axis. Pilot will determine which channel failed by switching to channel 1 or 2 |
|----------------|---|

I. SCAS Control Panel (Continued)

Single Channel

- for the pitch or roll axis, or may turn both channels off. If yaw axis failed, the yaw axis is turned off. When the switches are set to 1 or 2, the SCAS fail lights go out and the 1 OFF or 2 OFF light comes on depending upon which channel is selected. Likewise, when the yaw SCAS is turned off, the yaw fail light goes out. CAUTION light will remain ON, indicating SCAS failure. Yaw SCAS OFF light will illuminate.

Attitude Retention

- No lights to denote failure. Indication of failure can be noted by status of attitude retention selection (solenoid held) switch (OFF position).

Notes: 1. Attitude retention is off if:

- a. Pitch axis,  $F_{X_{LN}} \geq 1.0$  lb  
Roll axis,  $F_{X_{LT}} \geq 0.5$  lb

- b. Attitude retention switch is OFF.
- c. FFS fails or is disengaged.
- d. SCAS is disengaged.
- e. Failure occurs in the attitude retention circuits. (Power to circuit or attitude gyro fails.)

2. Attitude retention is operable during single channel SCAS operation.

3. Item 1.a. does not change the status of the attitude retention switch, but momentarily deactivates the attitude retention to the SCAS. Items 1.c. through 1.e. denote a failed condition and sets the attitude retention switch to the OFF position removing attitude retention from the SCAS.

I. SCAS Control Panel (Continued)

XV-15 SCAS Pre-Flight Check List (FFS Pre-Flight Check Complete)

Airplane status - engines running, electrical and hydraulic power on, attitude gyro on and no flags, feel system engaged, all SCAS switches OFF except SCAS select switches in "BOTH".

1. SCAS status lights - Pitch "1 OFF", "2 OFF"; Roll "1 OFF", "2 OFF"; Yaw "OFF" - check ON.
2. SCAS fail lights "PITCH", "ROLL" and "YAW" - check OFF.
3. SCAS segment of the master caution panel and MASTER CAUTION light - check ON.
4. Set pitch, roll, yaw power switches to "ON".
5. Set SCAS ENGAGE switch to "ENGAGE". Pitch "1, 2 OFF"; Roll "1, 2, OFF"; Yaw "OFF" lights - check "OFF". SCAS segment of the master caution panel and MASTER CAUTION light - check "OFF".
6. Exercise cyclic stick and rudder pedals - check all SCAS lights remain "OFF".
7. Set SCAS channel select switches "PITCH" "ROLL" to "1" - check status lights Pitch "2 OFF", Roll "2 OFF", ON.
8. Set SCAS channel select switches "PITCH, ROLL" to "2" - check status lights Pitch "1 OFF", Roll "1 OFF" ON.
9. Set SCAS channel select switches "PITCH" "ROLL" to "BOTH" - check all SCAS lights "OFF".
10. Set Attitude Retention switch to "ATTD RETN" - check that switch stays ON.
11. Set and hold "TEST" switch to "STEP" - check Fail lights OFF and control (surface) motion in all axes.
12. Set and hold "TEST" switch to "FAIL" - check "PITCH" "ROLL" "YAW" Fail lights ON - check SCAS segment of master caution panel and MASTER CAUTION light ON. Check yaw control motion only. Release "TEST" switch - check for Fail and SCAS segment of master caution panel and MASTER CAUTION lights out 5 seconds after release of switch.

I. SCAS Control Panel (Continued)

XV-15 SCAS Pre-Flight Check List (FFS Pre-Flight Check Complete)

13. Press SCAS disengage button on pilot's cyclic stick-- check SCAS status lights - Pitch "1 OFF", "2 OFF"; Roll "1 OFF", "2 OFF"; Yaw "OFF" all ON - check SCAS segment of master caution panel and MASTER CAUTION light ON - check attitude retention switch OFF.
14. Set SCAS ENGAGE switch to "ENGAGE".  
Set Attitude Retention switch to "ATTD RETN".
15. Press SCAS Disengage button on copilot's cyclic stick - check SCAS status lights Pitch "1 OFF", "2 OFF"; Roll "1 OFF", "2 OFF"; Yaw "OFF" all ON - check SCAS segment of master caution panel and the MASTER CAUTION light ON - check Attitude Retention switch OFF.
16. Set SCAS ENGAGE switch to "ENGAGE".  
Set Attitude Retention switch to "ATTD RETN".
17. Press FFS Disengage button on cyclic stick (either station) - check Attitude Retention switch OFF.
18. Engage FFS.
19. Check all FFS and SCAS lights OFF.

II. FFS Control Panel

Lights:

LONG - LAT - PEDAL

- |          |  |
|----------|--|
| OFF      | - lights out during normal operation (system engaged)    |
| ON (RED) | - illuminates to indicate when the respective axis fails |

DISENG

- |            |   |
|------------|---|
| OFF        | - lights out during normal operation (system engaged)     |
| ON (AMBER) | - Automatically following a FFS failure (all three axis); |

## II. FFS Control Panel (Continued)

### Lights:

ON (AMBER)

- all three lights on when system is manually disengaged by the pilot with either the disengage switch on the panel or the cyclic stick, FFS power switch on and master power on;
- all three lights on when FFS power switch is set to SEC TRIM or OFF with master power on.

Note: No master caution light associated with the FFS.

### Switches:

ON/SEC TRIM/OFF

- Three positions, used to apply power to the system. When in SEC TRIM, FFS is disengaged, pilot has secondary trim capability in the longitudinal axis only.

ENGAGE

- A solenoid held switch, spring loaded to disengage from the FFS disengage button on the cyclic stick or following a FFS failure. Pilot may also manually set switch to the disengage position (disengages all axes).

PEDAL TRIM

- Three position spring loaded to center. L - R indicates nose left or right. (Longitudinal and lateral trim are located on the cyclic stick.)

TEST

- Two-position toggle switch with a lever lock (nonfunctional for simulation)

FFS DISENGAGE

- Pushbutton located on the cyclic grip, used to manually disengage all axes simultaneously. Any time the FFS is disengaged, two methods of trim are available. If the FFS power switch is set

## II. FFS Control Panel (Continued)

### Switches:

#### FFS DISENGAGE

- for the SEC TRIM, secondary trim is available in longitudinal axis only. The FFS disengage button will always remove all forces regardless of the power switch selection and when the disengage button is released, the position of the controls at the time of release will be the new trim position. If the FFS disengage button on the cyclic stick is depressed and held, stick centering is available. FFS may be re-engaged by the engage switch on FFS panel if FFS was disengaged for some other reason than a failure.

### Start Procedure:

Upon entering the aircraft, master power off and FFS power switch is OFF, all FFS lights will be off. Turn master power on, FFS power switch OFF, all DISENG lights will be illuminated. Turn on FFS power switch to power the system. Engage the FFS with the FFS ENGAGE switch system is then activated and DISENG lights will go out.

### FFS Failures:

#### Primary

- LONG, LAT, or PEDAL lights will come on depending on which axis is failed. FFS is automatically disengaged for all axis and primary trim capability for all axes is lost. All three DISENG lights will be illuminated. Pilot must switch to SEC TRIM to obtain trim in longitudinal axis only. When power switch is set to SEC TRIM or OFF, FFS fail lights will go out. If pilot elects to bypass the secondary trim, he can depress the FFS disengage button on the cyclic for stick centering.

## II. FFS Control Panel (Continued)

### FFS Failures:

#### Secondary

- LONG, LAT, or PEDAL and all DISENG lights will remain the same as previous configuration but will have lost secondary trim capability.

#### Hydraulic

- Light status remains the same and trim status is the same as following secondary failure.

If forces are applied to the controls, the FFS system will fail and auto trip. Fail/Disengage lights will appear.

Forces in all failed cases will be limited to 25 pounds.

### XV-15 FFS Pre-Flight Check List

Airplane status - engines running, electrical and hydraulic power ON - All FFS control panel switches assumed to be OFF, - Rudder pedals adjusted.

1. FFS "DISENG" lights, "LONG", "LATERAL" and "PEDAL" - check ON.
2. FFS Fail lights "LONG", "LATERAL" and "PEDAL" - check OFF.
3. Check cyclic stick for freedom of movement.
4. Check cyclic stick mechanical spring gradients qualitatively:

Long.	11 lb/in.
Lateral	3.4 lb/in.
5. Check rudder pedals for freedom of movement.
6. Set FFS Power Switch to "SEC TRIM". Check secondary trim operation in longitudinal axis - pilot and copilot.
7. Set FFS Power Switch to "ON". Depress disengage button and center controls.

II. FFS Control Panel (Continued)

XV-15 FFS Pre-Flight Check List

8. Set FFS engage switch to "ENGAGE" - check "DISENG" lights (3) OFF. Exercise controls and qualitatively check gradients.

Long.	2 lb/in.
Lateral	1 lb/in.
Pedal	7 lb/in.

9. Check primary trim in all three axes - pilot and copilot.
10. Set Fail Test Switch to "FAIL TEST" position. Check for FFS disengagement. Check fail lights "LONG", "LATERAL" and "PEDAL" ON. Check "DISENG" lights (3) ON.
11. Depress disengage button and center controls. "ENGAGE" FFS. Press pilot's FFS "DISENG" button. Check "DISENG" lights (3) ON. Check FFS bypass solenoid operation by pressing and holding pilot's FFS "DISENG" button while moving cyclic stick forward and aft. Upon button release, stick should lock except for mechanical spring gradient.
12. Repeat step 11 from copilot station. Depress disengage button and center controls.
13. Engage FFS, pilot or copilot, check for "DISENG" (3) and fail "LONG", "LATERAL", "PEDAL" lights OUT.

III. Rpm Governor Control Panel

Lights:

PRIMARY (A fail light)

- |          |  |
|----------|--|
| OFF      | - light out during normal operation (system engaged)   |
| ON (RED) | - illuminates to indicate when primary governor fails. Light latches on failure and causes governor to switch to the standby mode. May be reset by re-engaging primary governor. If failure is not present, governor will re-engage. If failure is present, governor |



III. Rpm Governor Control Panel (Continued)

- ON (RED) - will remain engaged only during the time of engagement. Fail cycle will begin after engage toggle switch is released.

PRIMARY OFF (A status light)

- OFF - light out during normal operation (system engaged) and master power off.
- ON (AMBER) - illuminates to indicate when primary governor is not engaged, master power on;  
- when system is manually disengaged by pilot from the governor disengage switch on collective;  
- following a primary governor failure.

STANDBY (A fail light)

- OFF - light out during normal operation with primary governor on;  
- light out during operations with standby governor on
- ON (RED) - illuminates to indicate when standby governor fails;  
- latches on failure and causes actuator to hydraulically lock at the present governor position - may be reset by engaging primary or standby governor. If failure is not present, governor will re-engage. If failure is present, governor will remain engaged only during the period of engagement;  
- during hydraulic failure (PC<sub>2</sub>), a primary governor failure will bypass the standby and go directly to manual mode.

STANDBY ON (A status light)

- OFF - light out during normal operation with primary governor and following a standby governor failure

### III. Rpm Governor Control Panel (Continued)

#### Lights:

ON (GREEN)

- illuminate when standby governor is active, whether engaged by the pilot or automatically following a primary governor failure.

#### Switches:

PRIMARY ENGAGE

- momentary on, used to activate the primary governor

STANDBY ENGAGE

- momentary on, used to activate the standby governor (non-functional for simulation)

TEST

- two position spring loaded guarded toggle (nonfunctional for simulation)

GOVERNOR DISENGAGE

- guarded pushbutton located on the collective head, used to manually disengage the rpm governor (primary and standby). PRIMARY OFF light will come on. All other panel lights will be off. Primary or standby governor may be re-engaged with either engage switch located on the RPM governor panel. Master caution lights will be on.

#### Start Procedure:

Upon entering the aircraft, master power off, all governor panel lights will be off. Turn master power on, PRIMARY OFF light will be on. Engage primary governor, light will go out, system (primary and standby) is then activated.

#### Rpm Governor Failures:

Primary

- PRIMARY, PRIMARY OFF, STANDBY ON, and CAUTION lights will come on indicating the primary governor has failed and system has switched to standby governor. Primary failure occurs if:

### III. Rpm Governor Control Panel (Continued)

#### Rpm Governor Failures:

Primary

1.  $\epsilon_{RPM} \geq \pm 3\% RPM_P^*$ , and  
 $\text{sign } \dot{\theta}_{ACT} \neq \text{sign } \epsilon_{RPM}$ , or  
 $|\dot{\theta}_{ACT}| < .4^\circ/\text{SEC}$
2.  $\epsilon_{RPM} \geq \pm 10\% RPM_P$

\* $RPM_P$  is the rpm commanded by the pilot using the rpm beep switch located on the collective head.  $RPM_P$  limits are:

$$RPM_{P_{MAX}} = 601$$

$$RPM_{P_{MIN}} = 433 + 102 \cos \beta_m$$

Standby

- same as primary except STANDBY ON light will go out and STANDBY light will come on indicating standby governor failure and standby governor has been switched off. RPM can then be controlled manually by the pilot using the rpm wheel located on the center console. The secondary governor is preset to 565 rpm (94%). RPM is changed in going from  $RPM_P$  to 565rpm at a 20 RPM per  $P$  second rate. The secondary governor will fail if:

$$\epsilon_{RPM} \geq \pm 10\% 565$$

### IV. Additional Lights/Switches

#### RPM Warning Light:

"RPM" light on instrument panel and audio will come on indicating rpm is out of the following limits:

1. Nacelle unlocked  $\Omega_{L/R} > 625$  or  $\Omega_{L/R} < 535$
2. Nacelle locked (no audio)  $\Omega_{L/R} > 625$  or  $\Omega_{L/R} < 415$

#### IV. Additional Lights/Switches (Continued)

##### Gear Warning Light:

"GEAR" light on instrument panel will come on indicating the gear should be lowered because of the following limits:

1. Gear up  $h_p < 200$  ft and  $V_T < 100$  kts

"WHEELS" light will also illuminate on the center panel of the instrument panel.

##### Conversion Guide:

Lights will illuminate on the conversion guide located on the center of the glare shield to indicate the attitude of the aircraft during conversion. Green light indicates normal attitude, green plus amber indicates marginal and to either bring the nose of the aircraft up or down. Solid amber indicates approach to stall or increasing blade loads and to again change the attitude of the aircraft. Attitude of the aircraft can be changed with nacelle incidence or longitudinal stick. The lights are set for the following limits:

1.  $\alpha_F +4$  to  $-2$  deg            Green ON
2.  $\alpha_F +4$  to  $+8$  deg            Green ON plus upper amber  
    $-2$  to  $-6$  deg            Green ON plus lower amber
3.  $\alpha_F > +8$  deg            Upper amber ON  
    $> -6$  deg            Lower amber ON

Conversion guide is functional only for  $V_T > 80$  knots.

##### RPM Increase/Decrease:

RPM can be commanded by the pilot from 80 to 100 percent with nacelles at 90 deg or from 72 to 100 percent with nacelles at 0 deg (100 percent RPM = 601 rpm). Normal operating rpm values for the XV-15 are:

1. 589 rpm in helicopter, conversion, and high RPM airplane mode
2. 517 rpm in cruise airplane mode

9		CG AND INERTIA	
Inputs: Variables		Outputs:	
<u>From Subsystem</u>	<u>Symbol</u>	<u>To Subsystem</u>	<u>Symbol</u>
8a	$\beta_m$	1, 5, 6, 7	$SL_{CG}$
	$\dot{\beta}_m$	11, 14	$WL_{CG}$
		10f	$WL_{CG}$
10f	$h_{CG}$	11	$\dot{X}_{CG}$
			$\dot{Z}_{CG}$
			$\ddot{X}_{CG}$
			$\ddot{Z}_{CG}$
			$\dot{q}_{\beta_m}$
			$I_{XX}$
			$I_{YY}$
			$I_{ZZ}$
			$I_{XZ}$
		1, 14	$h_H$
		12	$\ddot{X}_{CG}$
			$\ddot{Z}_{CG}$
Inputs: Constants, Coefficients, and Data Tables			
Constants:	$W_P, GW, SL_{SP}, SL_P, WL_{SP}, WL_P, SL_{CG} _{\beta_m=0}, WL_{CG} _{\beta_m=0}$ $l_m, I_{XX} _{\beta_m=0}, I_{YY} _{\beta_m=0}, I_{ZZ} _{\beta_m=0}, I_{XZ} _{\beta_m=0},$ $L_N, I_{PYL}, \lambda_{PYL}$		
Coefficients:	$K_{I1}, K_{I2}, K_{I3}, K_{I4}$		
Data Tables:	None		

## SUBSYSTEM NO. 9: CG AND INERTIA

### Inputs: Variables

<u>Symbol</u>	<u>Description</u>	<u>Units</u>
$\beta_m$	Mast conversion angle (+ fwd, 0 deg = vertical or helicopter, 90 deg = horizontal or airplane)	rad
$\dot{\beta}_m$	Mast conversion rate for a tilt rotor	rad/sec
$h_{CG}$	Altitude of rotorcraft	ft

### Inputs: Constants, Coefficients, and Data Tables

$W_p$	Weight of both pylons for a tilt rotor	lb
$GW$	Total rotorcraft gross weight	lb
$SL_{SP}$	Station line of engine nacelle shaft pivot point for a tilt rotor	in
$SL_p$	Station line of pylon center of gravity for a tilt rotor	in
$WL_{SP}$	Water line of engine nacelle shaft pivot point for a tilt rotor	in
$WL_p$	Water line of pylon center of gravity for a tilt rotor	in
$SL_{CG}  _{\beta_m=0}$	Station line of helicopter mode c.g.	in
$WL_{CG}  _{\beta_m=0}$	Water line of helicopter mode c.g.	in
$l_m$	Mast length for a tilt rotor	ft
$I_{XX}  _{\beta_m=0}$	Helicopter mode rolling moment of inertia, body axis	slug-ft <sup>2</sup>
$I_{YY}  _{\beta_m=0}$	Helicopter mode pitching moment of inertia, body axis	slug-ft <sup>2</sup>
$I_{ZZ}  _{\beta_m=0}$	Helicopter mode yawing moment of inertia, body axis	slug-ft <sup>2</sup>

**SUBSYSTEM NO. 9: CG AND INERTIA (Continued)**

Inputs: Constants, Coefficients, and Data Tables (Concluded)

<u>Symbol</u>	<u>Description</u>	<u>Units</u>
$I_{XZ}  _{\beta_m=0}$	Helicopter mode product of inertia, body axis	slug-ft <sup>2</sup>
$L_N$	Distance from the pylon pivot axis to the pylon c.g. for a tilt rotor	ft
$I_{PYL}$	Moment of inertia of the nacelle/pylon for a tilt rotor	slug-ft <sup>2</sup>
$\lambda_{PYL}$	Angle between the fuselage water line reference and $L_N$ at $\beta_m = 0$ for a tilt rotor	deg
$K_{I1}$	Roll inertia coefficient for varying inertia with mast angle for a tilt rotor	$\frac{\text{slug-ft}^2}{\text{deg}}$
$K_{I2}$	Pitch inertia coefficient for varying inertia with mast angle for a tilt rotor	$\frac{\text{slug-ft}^2}{\text{deg}}$
$K_{I3}$	Yaw inertia coefficient for varying inertia with mast angle for a tilt rotor	$\frac{\text{slug-ft}^2}{\text{deg}}$
$K_{I4}$	Product of inertia coefficient for varying inertia with mast angle for a tilt rotor	$\frac{\text{slug-ft}^2}{\text{deg}}$

Outputs:

$SL_{CG}$	Station line of c.g.	in
$WL_{CG}$	Water line of c.g.	in
$\dot{x}_{CG}$	Rate of longitudinal c.g. displacement as a function of mast tilt angle for a tilt rotor	in/sec

**SUBSYSTEM NO. 9: CG AND INERTIA (Concluded)**

Outputs: (Concluded)

<u>Symbol</u>	<u>Description</u>	<u>Units</u>
$\dot{z}_{CG}$	Rate of vertical c.g. displacement as a function of mast tilt angle for a tilt rotor	in/sec
$\ddot{x}_{CG}$	Acceleration of longitudinal c.g. displacement as a function of mast tilt angle for a tilt rotor	in/sec <sup>2</sup>
$\ddot{z}_{CG}$	Acceleration of vertical c.g. displacement as a function of mast tilt angle for a tilt rotor	in/sec <sup>2</sup>
$\dot{q}_{\beta_m}$	Pitch acceleration due to pylon tilt for a tilt rotor	rad/sec <sup>2</sup>
$I_{XX}$	Rolling moment of inertia about c.g.	slug-ft <sup>2</sup>
$I_{YY}$	Pitching moment of inertia about c.g.	slug-ft <sup>2</sup>
$I_{ZZ}$	Yawing moment of inertia about c.g.	slug-ft <sup>2</sup>
$I_{XZ}$	Product of inertia about c.g.	slug-ft <sup>2</sup>
$h_H$	Rotor hub height from ground	ft



## EQUATIONS

### SUBSYSTEM NO. 9—CG AND INERTIA

#### A. CG Displacement as a Function of Pylon Tilt Angle

$$X_{CG} = Z (\sin \beta_m) + X (1 - \cos \beta_m)$$

$$Z_{CG} = Z(1 - \cos \beta_m) - X (\sin \beta_m)$$

Where

$$X = \left(\frac{W_P}{GW}\right)(SL_{SP} - SL_P)/12$$

$$Z = \left(\frac{W_P}{GW}\right)(WL_{SP} - WL_P)/12$$

#### B. CG Location

$$SL_{CG} = SL_{CG} \Big|_{\beta_m=0} + (12)(X_{CG})$$

$$WL_{CG} = WL_{CG} \Big|_{\beta_m=0} + (12)(Z_{CG})$$

#### C. Rotor Hub Height From Ground

$$h_H = h_{CG} + \left[ l_m \cos \beta_m + \frac{(WL_{SP} - WL_{CG})}{12} \right]$$

#### D. CG Velocity Due to Pylon Tilt Rate

$$\dot{X}_{CG} = Z(\dot{\beta}_m)(\cos \beta_m) + X(\dot{\beta}_m)(\sin \beta_m)$$

$$\dot{Z}_{CG} = Z(\dot{\beta}_m)(\sin \beta_m) - X(\dot{\beta}_m)(\cos \beta_m)$$

EQUATIONS (Continued)

SUBSYSTEM NO. 9—CG AND INERTIA

E. CG Acceleration

$$\ddot{X}_{CG} = Z\ddot{\beta}_m \cos \beta_m - Z\dot{\beta}_m^2 \sin \beta_m + X\ddot{\beta}_m \sin \beta_m + X\dot{\beta}_m^2 \cos \beta_m$$

$$\ddot{Z}_{CG} = Z\ddot{\beta}_m \sin \beta_m + Z\dot{\beta}_m^2 \cos \beta_m - X\ddot{\beta}_m \cos \beta_m + X\dot{\beta}_m^2 \sin \beta_m$$

F. Pitch Acceleration Due to Pylon Tilt

$$\dot{q}_{\beta_m} = \frac{\ddot{\beta}_m}{I_{YY}} \left\{ 2I_{PYL} + 2\left(\frac{W_P}{32.2}\right)\left(\frac{GW-W}{GW}\right) \left[ L_N^2 + L_N (h_M \sin \lambda - l_M \cos \lambda) \right] \right\}$$

where

$$\lambda = \left(\frac{\lambda_{PYL}}{57.3}\right) - \beta_m$$

$$l_M = \left(\frac{GW}{GW-W_P}\right) \left[ \frac{X_{CG}}{12} - 2\left(\frac{W_P}{GW}\right) (L_N \cos \lambda) \right]$$

$$h_M = \left(\frac{GW}{GW-W_P}\right) \left[ \frac{Z_{CG}}{12} + 2\left(\frac{W_P}{GW}\right) (L_N \sin \lambda) \right]$$

G. Aircraft Inertia Change Due to Pylon Tilt

$$I_{XX} = I_{XX} \Big|_{\beta_m=0} - K_{I1} \beta_m$$

$$I_{YY} = I_{YY} \Big|_{\beta_m=0} - K_{I2} \beta_m$$

EQUATIONS (Concluded)

SUBSYSTEM NO. 9—CG AND INERTIA

G. Aircraft Inertia Change Due to Pylon Tilt (Concluded)

$$I_{ZZ} = I_{ZZ}|_{\beta_m=0} + K_{I3} \beta_m$$

$$I_{XZ} = I_{XZ}|_{\beta_m=0} - K_{I4} \beta_m$$

10a		AXES TRANSFORMATION (AIRFRAME AERODYNAMIC FORCES AND MOMENTS FROM WIND TO BODY AXIS)	
Inputs: Variables		Outputs:	
<u>From Subsystem</u>	<u>Symbol</u>	<u>To Subsystem</u>	<u>Symbol</u>
12	$\alpha_F$	13, 14	$(X, Y, Z)_F$
	$\beta_F$		$(X, Z)_{iWPL}$
3	$L_F$		$(X, Z)_{iWPR}$
	$D_F$		$(X, Y, Z)_{WP}$
	$Y'_F$		$(X, Y, Z)_H$
	$l'_F$		$(X, Y, Z)_{MG}$
	$M'_F$		$(X, Y, Z)_{NG}$
	$N'_F$		$(X, Y, Z)_V^{(i)}$
4	$\alpha_{iWL}$		$(X, Y, Z)_{SD}$
	$\beta_{iWL}$		$(X, Z)_{iPYL}$
	$L_{iWPL}$		$(X, Y, Z)_{PYLT}$
	$D_{iWPL}$		
	$\alpha_{iWR}$	14	$(1, M, N)_F$
	$\beta_{iWR}$		$(1, M, N)_{WP}$
	$L_{iWPR}$		$(1, M, N)_H$
	$D_{iWPR}$		
	$\alpha_{WFS}$		
	$L_{WP}$		
	$D_{WP}$		

(continued on next page)

10a	AXES TRANSFORMATION (AIRFRAME AERODYNAMIC FORCES AND MOMENTS FROM WIND TO BODY AXIS) (CONTINUED)	
Inputs: Variables		Outputs:
<u>From Subsystem</u>	<u>Symbol</u>	<u>To Subsystem</u> <u>Symbol</u>
4 (concluded)	$M'_{WP}$ $Y'_{WP}$ $I'_{WP}$ $N'_{WP}$ SD $D_{PYLN}$ $D_{PLAT}$ $\alpha_{SP}$ $\beta_{SP}$ $\alpha_{PLAT}$ $\beta_{PLAT}$	
5	$\alpha_H$ $L_H$ $D_H$ $M'_H$	
6	$\beta_V(i)$ $Y'_V(i)$ $D'_V(i)$	
7	$D_{MG}$ $D_{NG}$	

(Concluded on next page)

10a

AXES TRANSFORMATION (AIRFRAME AERODYNAMIC FORCES AND MOMENTS  
FROM WIND TO BODY AXIS) (CONCLUDED)

Inputs: Constants, Coefficients, and Data Tables

Constants: NVSTAB

Coefficients: None

Data Tables: None

SUBSYSTEM NO. 10a--AXES TRANSFORMATION (AIRFRAME AERODYNAMIC FORCES AND MOMENTS FROM WIND TO BODY AXIS)

Inputs: Variables

Symbol	Description	Units
$\alpha_F$	Fuselage angle of attack	rad
$\beta_F$	Fuselage sideslip angle	rad
$L_F$	Aerodynamic lift on fuselage (wind axis)	lb
$D_F$	Aerodynamic drag on fuselage (wind axis)	lb
$Y_F$	Aerodynamic side force on fuselage (wind axis)	lb
$l_F$	Aerodynamic rolling moment on fuselage (wind axis)	ft-lb
$M_F$	Aerodynamic pitching moment on fuselage (wind axis)	ft-lb
$N_F$	Aerodynamic yawing moment on fuselage (wind axis)	ft-lb
$\alpha_{iWL}$	Angle of attack of the left wing portion immersed in the left rotor wake	rad
$\beta_{iWL}$	Sideslip angle of the left wing portion immersed in the left rotor wake	rad
$L_{iWPL}$	Aerodynamic lift of the left wing portion immersed in the rotor wake	lb
$D_{iWPL}$	Aerodynamic drag of the left wing portion immersed in the rotor wake	lb
$\alpha_{iWR}$	Angle of attack of the right wing portion immersed in the right rotor wake	rad

SUBSYSTEM NO. 10a--AXES TRANSFORMATION (AIRFRAME AERODYNAMIC FORCES AND  
MOMENTS FROM WIND TO BODY AXIS) (CONTINUED)

Inputs: Variables (Continued)

Symbol	Description	Units
$\beta_{iWR}$	Sideslip angle of the right wing portion immersed in the right rotor wake	rad
$L_{iWPR}$	Aerodynamic lift of the right wing portion immersed in the rotor wake	lb
$D_{iWPR}$	Aerodynamic drag of the right wing portion immersed in the rotor wake	lb
$\alpha_{WFS}$	Angle of attack of the wing portion outside the rotor wake (freestream)	rad
$L_{WP}$	Aerodynamic lift on the wing portion outside the rotor wake (freestream)	lb
$D_{WP}$	Aerodynamic drag on the wing portion outside the rotor wake (freestream)	lb
$M'_{WP}$	Pitching moment of the wing-pylon in wind axis	ft-lb
$Y'_{WP}$	Side force moment of the wing-pylon in wind axis	lb
$l'_{WP}$	Rolling moment of the wing-pylon in wind axis	ft-lb
$N'_{WP}$	Yawing moment of the wing-pylon in wind axis	ft-lb
SD	Spinner drag	lb
$D_{PYLN}$	Pylon interference drag	lb
$D_{PLAT}$	Lateral pylon drag	lb
$\alpha_{SP}$	Spinner angle of attack used for transformation from wind to body axis	rad



SUBSYSTEM NO. 10a--AXES TRANSFORMATION (AIRFRAME AERODYNAMIC FORCES AND  
MOMENTS FROM WIND TO BODY AXIS) (CONTINUED)

Inputs: Variables (Concluded)

Symbol	Description	Units
$\beta_{SP}$	Spinner sideslip angle used for transformation from wind to body axis	rad
$\alpha_{PLAT}$	Pylon angle of attack used for transformation from wind to body axis	rad
$\beta_{PLAT}$	Pylon sideslip angle used for transformation from wind to body axis	rad
$\alpha_H$	Horizontal stabilizer angle of attack	lb
$L_H$	Aerodynamic lift on the horizontal stabilizer	lb
$D_H$	Aerodynamic drag on the horizontal stabilizer	lb
$M_H$	Aerodynamic pitching moment on the horizontal stabilizer	ft-lb
$B_V(i)$	Zero rudder sideslip angle	deg
$Y_V c(i)$	Aerodynamic side force (lift) on the vertical fin in wind axis	lb
$D_V(i)$	Aerodynamic drag on the vertical fin (wind axis)	lb
$D_{MG}$	Aerodynamic drag on the main landing gear	lb
$D_{NG}$	Aerodynamic drag on the nose landing gear	lb

SUBSYSTEM NO. 10a--AXES TRANSFORMATION (AIRFRAME AERODYNAMIC FORCES AND  
MOMENTS FROM WIND TO BODY AXIS) (CONTINUED)

Inputs: Constants, Coefficients, and Data Tables

Symbol	Description	Units
NVSTAB	Number of vertical stabilizers	ND
<u>Outputs:</u>		
$(X, Y, Z)_F$	Aerodynamic forces on the fuselage, body axis	lb
$(X, Z)_{iWPL}$	Aerodynamic forces on the portion of the left wing-pylon in the rotor wake, body axis	lb
$(X, Z)_{iWPR}$	Aerodynamic forces on the portion of the right wing-pylon in the rotor wake, body axis	lb
$(X, Y, Z)_{WP}$	Aerodynamic forces on the wing-pylon portion in the freestream, body axis	lb
$(X, Y, Z)_H$	Aerodynamic forces on the horizontal stabilizer, body axis	lb
$(X, Y, Z)_{MG}$	Aerodynamic forces on the main landing gear, body axis	lb
$(X, Y, Z)_{NG}$	Aerodynamic forces on the nose landing gear, body axis	lb
$(X, Y, Z)_V(i)$	Aerodynamic forces on the vertical stabilizer, body axis	lb
$(X, Y, Z)_{SD}$	Spinner drag aerodynamic forces, body axis	lb
$(X, Z)_{iPYL}$	Pylon interference drag aerodynamic forces, body axis	lb

SUBSYSTEM NO. 10a--AXES TRANSFORMATION (AIRFRAME AERODYNAMIC FORCES AND  
MOMENTS FROM WIND TO BODY AXIS) (CONCLUDED)

Outputs: (Concluded)

Symbol	Description	Units
$(X, Y, Z)_{PYLT}$	Lateral pylon drag model aerodynamic forces, body axis	lb
$(l, M, N)_F$	Rolling, pitching, and yawing aerodynamic moments on the fuselage about the body x-, y-, and z-axes	ft-lb
$(l, M, N)_{WP}$	Rolling, pitching, and yawing aerodynamic moments due to the wing- pylon about the body x-, y-, and z-axes	ft-lb
$(l, M, N)_H$	Rolling, pitching, and yawing aerodynamic moments due to the horizontal stabilizer about the body x-, y-, and z-axes	ft-lb

## EQUATIONS

### SUBSYSTEM 10a--AXES TRANSFORMATION (AIRFRAME AERODYNAMIC FORCES AND MOMENTS FROM WIND TO BODY AXIS)

#### A. General Form of Transformation

$$\begin{bmatrix} X_i \\ Y_i \\ Z_i \end{bmatrix}_{\text{Body Axis}} = \begin{bmatrix} \cos \alpha_i \cos \beta_i & -\cos \alpha_i \sin \beta_i & -\sin \alpha_i \\ \sin \beta_i & \cos \beta_i & 0 \\ \sin \alpha_i \cos \beta_i & -\sin \alpha_i \sin \beta_i & \cos \alpha_i \end{bmatrix} \begin{bmatrix} -X_i \\ Y_i \\ -Z_i \end{bmatrix}_{\text{Wind Axis}}$$

This transformation matrix is also used for the moment transformation.  $\alpha_i$  and  $\beta_i$  are the individual component angles of attack and sideslip, respectively.

#### B. Transformation of Fuselage Forces and Moments

$$X_F = -D_F \cos \alpha_F \cos \beta_F - Y'_F \cos \alpha_F \sin \beta_F + L_F \sin \alpha_F$$

$$Y_F = -D_F \sin \beta_F + Y'_F \cos \beta_F$$

$$Z_F = -D_F \sin \alpha_F \cos \beta_F - Y'_F \sin \alpha_F \sin \beta_F - L_F \cos \alpha_F$$

$$l_F = l'_F \cos \alpha_F \cos \beta_F - M'_F \cos \alpha_F \sin \beta_F - N'_F \sin \alpha_F$$

$$M_F = l'_F \sin \beta_F + M'_F \cos \beta_F$$

$$N_F = l'_F \sin \alpha_F \cos \beta_F - M'_F \sin \alpha_F \sin \beta_F + N'_F \cos \alpha_F$$

EQUATIONS (CONTINUED)

SUBSYSTEM 10a--AXES TRANSFORMATION (AIRFRAME AERODYNAMIC FORCES  
AND MOMENTS FROM WIND TO BODY AXIS)

C. Transformation of Wing Forces and Moments

1. Forces Generated by Rotor Wake

$$X_{iWPK} = -D_{iWPK} \cos \alpha_{iWK} \left[ \overset{\rightarrow 1}{\cos \beta_{iWK}} \right] + L_{iWPK} \sin \alpha_{iWK}$$

$$Y_{iWPK} = -D_{iWPK} \left[ \overset{\rightarrow 0}{\sin \beta_{iWK}} \right]$$

$$Z_{iWPK} = -D_{iWPK} \sin \alpha_{iWK} \left[ \overset{\rightarrow 1}{\cos \beta_{iWK}} \right] - L_{iWPK} \cos \alpha_{iWK}$$

(For right rotor K = R, for left rotor K = L)

2. Forces and Moments Generated by Freestream Flow

$$X_{WP} = -D_{WP} \cos \alpha_{WFS} \left[ \overset{\rightarrow 1}{\cos \beta_F} \right] - Y'_{WP} \cos \alpha_{WFS} \left[ \overset{\rightarrow 0}{\sin \beta_F} \right] + L_{WP} \sin \alpha_{WFS}$$

$$Y_{WP} = -D_{WP} \sin \beta_F + Y'_{WP} \left[ \overset{\rightarrow 1}{\cos \beta_F} \right]$$

$$Z_{WP} = -D_{WP} \sin \alpha_{WFS} \left[ \overset{\rightarrow 1}{\cos \beta_F} \right] - Y'_{WP} \sin \alpha_{WFS} \left[ \overset{\rightarrow 0}{\sin \beta_F} \right] - L_{WP} \cos \alpha_{WFS}$$

NOTE:  $\left[ \overset{\rightarrow 1}{\cos \beta_F} \right]$  means this term is assumed to equal 1 when programmed.

$\left[ \overset{\rightarrow 0}{\sin \beta_F} \right]$  means this term is assumed to equal 0 when programmed.

EQUATIONS (CONTINUED)

SUBSYSTEM 10a--AXES TRANSFORMATION (AIRFRAME AERODYNAMIC FORCES  
AND MOMENTS FROM WIND TO BODY AXIS)

2. Forces and Moments Generated by Freestream Flow (Concluded)

$$l_{WP} = l'_{WP} \cos \alpha_{WFS} \left[ \cos \beta_F \right]^{\rightarrow 1} - M'_{WP} \cos \alpha_{WFS} \left[ \sin \beta_F \right]^{\rightarrow 0} - N'_{WP} \sin \alpha_{WFS}$$

$$M_{WP} = l'_{WP} \left[ \sin \beta_F \right]^{\rightarrow 0} + M'_{WP} \left[ \cos \beta_F \right]^{\rightarrow 1}$$

$$N_{WP} = l'_{WP} \sin \alpha_{WFS} \left[ \cos \beta_F \right]^{\rightarrow 1} - M'_{WP} \sin \alpha_{WFS} \left[ \sin \beta_F \right]^{\rightarrow 0} + N'_{WP} \cos \alpha_{WFS}$$

D. Transformation of Horizontal Stabilizer Forces and Moments

$$X_H = -D_H \cos \alpha_H \left[ \cos \beta_F \right]^{\rightarrow 1} + L_H \sin \alpha_H$$

$$Y_H = -D_H \left[ \sin \beta_F \right]^{\rightarrow 0}$$

$$Z_H = -D_H \sin \alpha_H \left[ \cos \beta_F \right]^{\rightarrow 1} - L_H \cos \alpha_H$$

$$l_H = -M'_H \cos \alpha_H \left[ \sin \beta_F \right]^{\rightarrow 0}$$

$$M_H = M'_H \left[ \cos \beta_F \right]^{\rightarrow 1}$$

$$N_H = -M'_H \sin \alpha_H \left[ \sin \beta_F \right]^{\rightarrow 0}$$

EQUATIONS (CONTINUED)

SUBSYSTEM 10a--AXES TRANSFORMATION (AIRFRAME AERODYNAMIC FORCES  
AND MOMENTS FROM WIND TO BODY AXIS)

E. Transformation of Vertical Stabilizer Forces

$$X_V(i) = -D_V(i) \left[ \overset{\rightarrow 1}{\cos \alpha_H} \right] \cos \beta_V(i) + Y'_V(i) \left[ \overset{\rightarrow 1}{\cos \alpha_H} \right] \sin \beta_V(i)$$

$$Y_V(i) = -D_V(i) \sin \beta_V(i) - Y'_V(i) \cos \beta_V(i)$$

$$Z_V(i) = -D_V(i) \left[ \overset{\rightarrow 0}{\sin \alpha_H} \right] \cos \beta_V(i) + Y'_V(i) \left[ \overset{\rightarrow 0}{\sin \alpha_H} \right] \sin \beta_V(i)$$

where

$$i = 1 \text{ to } NVSTAB$$

NOTE:  $\left[ \overset{\rightarrow 1}{\cos \alpha_H} \right]$  means this term is assumed to equal 1 when programmed.

$\left[ \overset{\rightarrow 0}{\sin \alpha_H} \right]$  means this term is assumed to equal 0 when programmed.

F. Transformation of Main Landing Gear Aerodynamic Forces

$$X_{MG} = -D_{MG} \cos \alpha_F \cos \beta_F$$

$$Y_{MG} = -D_{MG} \sin \beta_F$$

$$Z_{MG} = -D_{MG} \sin \alpha_F \cos \beta_F$$

EQUATIONS (CONCLUDED)

SUBSYSTEM 10a--AXES TRANSFORMATION (AIRFRAME AERODYNAMIC FORCES  
AND MOMENTS FROM WIND TO BODY AXIS)

G. Transformation of Nose Landing Gear Aerodynamic Forces

$$X_{NG} = -D_{NG} \cos \alpha_F \cos \beta_F$$

$$Y_{NG} = -D_{NG} \sin \beta_F$$

$$Z_{NG} = -D_{NG} \sin \alpha_F \cos \beta_F$$

H. Transformation of Spinner Drag Force

$$X_{SD} = -SD \cos \alpha_{SP} \cos \beta_{SP}$$

$$Y_{SD} = -SD \sin \beta_{SP}$$

$$Z_{SD} = -SD \sin \alpha_{SP} \cos \beta_{SP}$$

I. Transformation of Pylon Interference Drag Force

$$X_{iPYL} = -D_{PYLN} \left[ \cos \left( \frac{\alpha_{iWR} + \alpha_{iWL}}{2} \right) \right]$$

$$Z_{iPYL} = -D_{PYLN} \left[ \sin \left( \frac{\alpha_{iWR} + \alpha_{iWL}}{2} \right) \right]$$

J. Transformation of Lateral Pylon Drag

$$X_{PYLT} = -D_{PLAT} \cos \alpha_{PLAT} \cos \beta_{PLAT}$$

$$Y_{PYLT} = -D_{PLAT} \sin \beta_{PLAT}$$

$$Z_{PYLT} = -D_{PLAT} \sin \alpha_{PLAT} \cos \beta_{PLAT}$$



10b	AXES TRANSFORMATION (ROTOR FORCES AND MOMENTS FROM WIND TO BODY AXIS)																																										
Inputs: Variables		Outputs:																																									
<table border="0"> <thead> <tr> <th data-bbox="277 491 505 520"><u>From Subsystem</u></th> <th data-bbox="662 491 760 520"><u>Symbol</u></th> </tr> </thead> <tbody> <tr> <td data-bbox="380 554 396 575">1</td> <td data-bbox="634 554 672 596"><math>T_R</math></td> </tr> <tr> <td></td> <td data-bbox="634 604 672 646"><math>H_R</math></td> </tr> <tr> <td></td> <td data-bbox="634 655 672 697"><math>Y_R</math></td> </tr> <tr> <td></td> <td data-bbox="634 705 672 747"><math>Q_R</math></td> </tr> <tr> <td></td> <td data-bbox="634 756 711 798"><math>M_{a1R}</math></td> </tr> <tr> <td></td> <td data-bbox="634 806 695 848"><math>I_{b1R}</math></td> </tr> <tr> <td></td> <td data-bbox="634 856 672 898"><math>T_L</math></td> </tr> <tr> <td></td> <td data-bbox="634 907 672 949"><math>H_L</math></td> </tr> <tr> <td></td> <td data-bbox="634 957 672 999"><math>Y_L</math></td> </tr> <tr> <td></td> <td data-bbox="634 1008 672 1050"><math>Q_L</math></td> </tr> <tr> <td></td> <td data-bbox="634 1058 711 1100"><math>M_{a1L}</math></td> </tr> <tr> <td></td> <td data-bbox="634 1108 695 1150"><math>I_{b1L}</math></td> </tr> <tr> <td data-bbox="370 1226 402 1247">8a</td> <td data-bbox="634 1159 672 1201"><math>\beta_m</math></td> </tr> </tbody> </table>	<u>From Subsystem</u>	<u>Symbol</u>	1	$T_R$		$H_R$		$Y_R$		$Q_R$		$M_{a1R}$		$I_{b1R}$		$T_L$		$H_L$		$Y_L$		$Q_L$		$M_{a1L}$		$I_{b1L}$	8a	$\beta_m$	<table border="0"> <thead> <tr> <th data-bbox="938 491 1133 520"><u>To Subsystem</u></th> <th data-bbox="1279 491 1377 520"><u>Symbol</u></th> </tr> </thead> <tbody> <tr> <td data-bbox="987 554 1084 575">13, 14</td> <td data-bbox="1263 554 1393 596"><math>(X, Y, Z)_R</math></td> </tr> <tr> <td></td> <td data-bbox="1263 604 1393 646"><math>(X, Y, Z)_L</math></td> </tr> <tr> <td data-bbox="1026 705 1042 726">1</td> <td data-bbox="1263 705 1295 747"><math>X_R</math></td> </tr> <tr> <td></td> <td data-bbox="1263 756 1295 798"><math>X_L</math></td> </tr> <tr> <td data-bbox="1019 877 1052 898">14</td> <td data-bbox="1263 877 1393 919"><math>(1, M, N)_R</math></td> </tr> <tr> <td></td> <td data-bbox="1263 928 1393 970"><math>(1, M, N)_L</math></td> </tr> </tbody> </table>	<u>To Subsystem</u>	<u>Symbol</u>	13, 14	$(X, Y, Z)_R$		$(X, Y, Z)_L$	1	$X_R$		$X_L$	14	$(1, M, N)_R$		$(1, M, N)_L$
<u>From Subsystem</u>	<u>Symbol</u>																																										
1	$T_R$																																										
	$H_R$																																										
	$Y_R$																																										
	$Q_R$																																										
	$M_{a1R}$																																										
	$I_{b1R}$																																										
	$T_L$																																										
	$H_L$																																										
	$Y_L$																																										
	$Q_L$																																										
	$M_{a1L}$																																										
	$I_{b1L}$																																										
8a	$\beta_m$																																										
<u>To Subsystem</u>	<u>Symbol</u>																																										
13, 14	$(X, Y, Z)_R$																																										
	$(X, Y, Z)_L$																																										
1	$X_R$																																										
	$X_L$																																										
14	$(1, M, N)_R$																																										
	$(1, M, N)_L$																																										
Inputs: Constants, Coefficients, and Data Tables																																											
<p data-bbox="250 1486 526 1520">Constants: <math>\phi_m</math></p> <p data-bbox="250 1587 558 1621">Coefficients: None</p> <p data-bbox="250 1688 558 1722">Data Tables: None</p>																																											

SUBSYSTEM NO. 10b: AXES TRANSFORMATION (ROTOR FORCES AND MOMENTS FROM WIND TO BODY AXIS)

Inputs: Variables

Symbol	Description	Units
$T_R$	Mast axis right rotor thrust (+ up for helicopter)	lb
$H_R$	Mast axis H-force right rotor (+ aft for helicopter)	lb
$Y_R$	Mast axis Y-force right rotor (+ right for helicopter)	lb
$Q_R$	Mast axis right rotor torque (+ trying to slow rotor down)	ft-lb
$M_{a1R}$	Mast axis longitudinal flapping restraint exerted by right rotor on airframe (+ nose up for helicopter)	ft-lb
$l_{b1R}$	Mast axis lateral flapping restraint exerted by right rotor on airframe (+ outboard for helicopter)	ft-lb
$T_L$	Mast axis left rotor thrust (+ up for helicopter)	lb
$H_L$	Mast axis H-force left rotor (+ aft for helicopter)	lb
$Y_L$	Mast axis Y-force left rotor (+ right for helicopter)	lb
$Q_L$	Mast axis left rotor torque (+ trying to slow rotor down)	ft-lb
$M_{a1L}$	Mast axis longitudinal flapping restraint exerted by left rotor on airframe (+ nose up for helicopter)	ft-lb
$l_{b1L}$	Mast axis lateral flapping restraint exerted by left rotor on airframe (+ outboard for helicopter)	ft-lb

SUBSYSTEM NO. 10b: AXES TRANSFORMATION (ROTOR FORCES AND MOMENTS FROM WIND TO BODY AXIS) (CONCLUDED)

Inputs: Variables (Concluded)

Symbol	Description	Units
$\beta_m$	Mast conversion angle (+ fwd, 0 deg = vertical or helicopter, 90 deg = horizontal or airplane)	rad

Inputs: Constants, Coefficients, and Data Tables

$\phi_m$	Lateral mast tilt	rad
----------	-------------------	-----

Outputs:

$(X,Y,Z)_R$	Right rotor forces in body axis	lb
$(X,Y,Z)_L$	Left rotor forces in body axis	lb
$(l,M,N)_R$	Rolling, pitching, and yawing moments due to the right rotor about the body x-, y-, and z-axes	ft-lb
$(l,M,N)_L$	Rolling, pitching, and yawing moments due to the left rotor about the body x-, y-, and z-axes	ft-lb

## EQUATIONS

### SUBSYSTEM 10b--AXES TRANSFORMATION (ROTOR FORCES AND MOMENTS FROM WIND TO BODY AXIS)

#### A. Right Rotor

$$X_R = -H_R \cos \beta_m \cos \phi_m - Y_R \sin \beta_m \sin \phi_m + T_R \sin \beta_m \cos \phi_m$$

$$Y_R = H_R \sin \beta_m \sin \phi_m + Y_R \cos \phi_m + T_R \cos \beta_m \sin \phi_m$$

$$Z_R = -H_R \sin \beta_m \cos \phi_m + Y_R \cos \beta_m \sin \phi_m - T_R \cos \beta_m \cos \phi_m$$

$$l_R = l_{b1R} \cos \beta_m \cos \phi_m - M_{a1R} \sin \beta_m \sin \phi_m - Q_R \sin \beta_m \cos \phi_m$$

$$M_R = -l_{b1R} \sin \beta_m \sin \phi_m + M_{a1R} \cos \phi_m - Q_R \cos \beta_m \sin \phi_m$$

$$N_R = l_{b1R} \sin \beta_m \cos \phi_m + M_{a1R} \cos \beta_m \sin \phi_m + Q_R \cos \beta_m \cos \phi_m$$

#### B. Left Rotor

$$X_L = -H_L \cos \beta_m \cos \phi_m - Y_L \sin \beta_m \sin \phi_m + T_L \sin \beta_m \cos \phi_m$$

$$Y_L = -H_L \sin \beta_m \sin \phi_m - Y_L \cos \phi_m - T_L \cos \beta_m \sin \phi_m$$

$$Z_L = -H_L \sin \beta_m \cos \phi_m + Y_L \cos \beta_m \sin \phi_m - T_L \cos \beta_m \cos \phi_m$$

$$l_L = -l_{b1L} \cos \beta_m \cos \phi_m - M_{a1L} \sin \beta_m \sin \phi_m + Q_L \sin \beta_m \cos \phi_m$$

$$M_L = l_{b1L} \sin \beta_m \sin \phi_m + M_{a1L} \cos \phi_m + Q_L \cos \beta_m \sin \phi_m$$

$$N_L = -l_{b1L} \sin \beta_m \cos \phi_m + M_{a1L} \cos \beta_m \sin \phi_m - Q_L \cos \beta_m \cos \phi_m$$

10c		AXES TRANSFORMATION (EULER ANGLES)	
Inputs: Variables		Outputs:	
<u>From Subsystem</u>	<u>Symbol</u>	<u>To Subsystem</u>	<u>Symbol</u>
<p>11 ↓ 10c ↓</p>	<p>p q r  ψ θ φ</p>	<p>16 ↓ 16 7A 10c 10d 12 16 7 20 VFA  14</p>	<p><math>\dot{\theta}</math> <math>\dot{\phi}</math> <math>\dot{\psi}</math> θ φ ψ    φ</p>
Inputs: Constants, Coefficients, and Data Tables			
None			

**SUBSYSTEM NO. 10c—AXES TRANSFORMATION (EULER ANGLES)**

Input: Variables

<u>Symbol</u>	<u>Description</u>	<u>Units</u>
p	Body axis roll rate	rad/sec
q	Body axis pitch rate	rad/sec
r	Body axis yaw rate	rad/sec
$\theta$	Euler pitch angle	rad
$\phi$	Euler roll angle	rad
$\psi$	Euler yaw angle	rad

Outputs:

$\dot{\theta}$	Rate of change of Euler pitch angle	rad/sec
$\dot{\phi}$	Rate of change of Euler roll angle	rad/sec
$\dot{\psi}$	Rate of change of Euler yaw angle	rad/sec
$\theta$	Euler pitch angle	rad
$\phi$	Euler roll angle	rad
$\psi$	Euler yaw angle	rad

EQUATIONS:

$$\dot{\theta} = q \cos \phi - r \sin \phi$$

$$\dot{\phi} = p + r \tan \theta \cos \phi + q \tan \theta \sin \phi$$

$$\dot{\psi} = \frac{r \cos \phi + q \sin \phi}{\cos \theta}$$

$$\theta = \int \dot{\theta} dt$$

$$\phi = \int \dot{\phi} dt$$

$$\psi = \int \dot{\psi} dt$$

10d	AXES TRANSFORMATION (EARTH BASED VELOCITY)		
Inputs: Variables		Outputs:	
<p style="text-align: center;"><u>From Subsystem</u></p> <div style="display: flex; justify-content: space-around;"> <div style="text-align: center;"> <p>(10c)</p> <p>↓</p> </div> <div style="text-align: center;"> <p>(12)</p> <p>↓</p> </div> </div>	<p><u>Symbol</u></p> <p><math>\psi</math></p> <p><math>\theta</math></p> <p><math>\phi</math></p> <p>U</p> <p>V</p> <p>W</p>	<p style="text-align: center;"><u>To Subsystem</u></p> <div style="display: flex; justify-content: center; align-items: center;"> <div style="text-align: center; margin-right: 10px;"> <p>(10e)</p> <p>↓</p> </div> <div style="text-align: left;"> <p><math>U_{EB}</math></p> <p><math>V_{EB}</math></p> <p><math>W_{EB}</math></p> </div> </div>	<p><u>Symbol</u></p>
Inputs: Constants, Coefficients, and Data Tables			
None			



SUBSYSTEM NO. 10d—AXES TRANSFORMATION (EARTH BASED VELOCITIES)

Input: Variables

<u>Symbol</u>	<u>Description</u>	<u>Units</u>
$\theta$	Euler pitch angle	rad
$\phi$	Euler roll angle	rad
$\psi$	Euler yaw angle	rad
U	x-velocity (longitudinal) of the aircraft c.g. in body axis with respect to the air	ft/sec
V	y-velocity (lateral) of the aircraft c.g. in body axis with respect to the air	ft/sec
W	z-velocity (vertical) of the aircraft c.g. in body axis with respect to the air	ft/sec

Outputs:

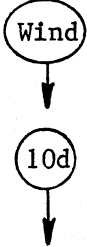
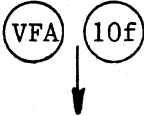
$U_{EB}$	x-velocity component of the aircraft c.g. with respect to the air along earth axes	ft/sec
$V_{EB}$	y-velocity component of the aircraft c.g. with respect to the air along earth axes	ft/sec
$W_{EB}$	z-velocity component of the aircraft c.g. with respect to the air along earth axes	ft/sec

EQUATIONS:

$$U_{EB} = U \cos \Psi \cos \theta + V \cos \Psi \sin \theta \sin \phi - V \sin \Psi \cos \phi \\ + W \cos \Psi \sin \theta \cos \phi + W \sin \Psi \sin \phi - U \text{ wind E}$$

$$V_{EB} = U \sin \Psi \cos \theta + V \cos \Psi \cos \phi + V \sin \Psi \sin \theta \sin \phi \\ + W \sin \Psi \sin \theta \cos \phi - W \cos \Psi \sin \phi - V \text{ wind E}$$

$$W_{EB} = -U \sin \theta + V \cos \theta \sin \phi + W \cos \theta \cos \phi + W \text{ wind E}$$

10e	AXES TRANSFORMATION (GROUND VELOCITY SUMMATION)			
Inputs: Variables		Outputs:		
<u>From Subsystem</u>	<u>Symbol</u>	<u>To Subsystem</u>	<u>Symbol</u>	
	$  \begin{matrix}  U_W \\  \theta_W \\  \psi_W \\  \\  U_{EB} \\  V_{EB} \\  W_{EB}  \end{matrix}  $		$  \begin{matrix}  U_G \\  V_G \\  W_G  \end{matrix}  $	
Inputs: Constants, Coefficients, and Variables				
None				

**SUBSYSTEM NO. 10e—AXES TRANSFORMATION (GROUND VELOCITY SUMMATION)**

Input: Variables

<u>Symbol</u>	<u>Description</u>	<u>Units</u>
$U_W$	Wind x-velocity with respect to the ground	ft/sec
$\theta_W$	Euler pitch angle of wind	rad
$\psi_W$	Grid heading of wind (+ clockwise from North)	rad
$U_{EB}$	x-velocity component of the aircraft c.g. with respect to the air along earth axes	ft/sec
$V_{EB}$	y-velocity component of the aircraft c.g. with respect to the air along earth axes	ft/sec
$W_{EB}$	z-velocity component of the aircraft c.g. with respect to the air along earth axes	ft/sec

Outputs:

$U_G$	x-velocity ground component of aircraft c.g.	ft/sec
$V_G$	y-velocity ground component of aircraft c.g.	ft/sec
$W_G$	z-velocity ground component of aircraft c.g.	ft/sec

EQUATIONS:

$$U_{WE} = U_W (\cos \psi_W \cos \theta_W)$$

$$V_{WE} = U_W (\sin \psi_W)$$

$$W_{WE} = U_W (\cos \psi_W \sin \theta_W)$$

$$U_G = U_{EB} - U_{WE}$$

$$V_G = V_{EB} - V_{WE}$$

$$W_G = W_{EB} - W_{WE}$$

10f	AXES TRANSFORMATION (GROUND REFERENCE DISTANCES)																		
Inputs: Variables		Outputs:																	
<table border="1"> <thead> <tr> <th data-bbox="186 472 511 514"><u>From Subsystem</u></th> <th data-bbox="511 472 824 514"><u>Symbol</u></th> </tr> </thead> <tbody> <tr> <td data-bbox="186 535 511 724">10e</td> <td data-bbox="511 535 824 724"> <math>U_G</math>  <math>V_G</math>  <math>W_G</math> </td> </tr> <tr> <td data-bbox="186 745 511 1165">9</td> <td data-bbox="511 745 824 1165"><math>WL_{CG}</math></td> </tr> </tbody> </table>	<u>From Subsystem</u>	<u>Symbol</u>	10e	$U_G$ $V_G$ $W_G$	9	$WL_{CG}$	<table border="1"> <thead> <tr> <th data-bbox="824 472 1144 514"><u>To Subsystem</u></th> <th data-bbox="1144 472 1414 514"><u>Symbol</u></th> </tr> </thead> <tbody> <tr> <td data-bbox="824 535 1144 787">Visual System</td> <td data-bbox="1144 535 1414 787"> <math>N_N</math>  <math>E</math>  <math>P_{AX}</math>  <math>P_{AY}</math>  <math>P_{ALT}</math> </td> </tr> <tr> <td data-bbox="824 808 1144 892">9, 15, 7 16, 18</td> <td data-bbox="1144 808 1414 892"><math>h_{CG}</math></td> </tr> <tr> <td data-bbox="824 913 1144 997">15, 16, 18</td> <td data-bbox="1144 913 1414 997"><math>P_{ALT}</math></td> </tr> <tr> <td data-bbox="824 1018 1144 1102">7, 16</td> <td data-bbox="1144 1018 1414 1102"><math>h_{CC}</math></td> </tr> <tr> <td data-bbox="824 1123 1144 1165">16</td> <td data-bbox="1144 1123 1414 1165"><math>R_{ALT}</math></td> </tr> </tbody> </table>	<u>To Subsystem</u>	<u>Symbol</u>	Visual System	$N_N$ $E$ $P_{AX}$ $P_{AY}$ $P_{ALT}$	9, 15, 7 16, 18	$h_{CG}$	15, 16, 18	$P_{ALT}$	7, 16	$h_{CC}$	16	$R_{ALT}$
<u>From Subsystem</u>	<u>Symbol</u>																		
10e	$U_G$ $V_G$ $W_G$																		
9	$WL_{CG}$																		
<u>To Subsystem</u>	<u>Symbol</u>																		
Visual System	$N_N$ $E$ $P_{AX}$ $P_{AY}$ $P_{ALT}$																		
9, 15, 7 16, 18	$h_{CG}$																		
15, 16, 18	$P_{ALT}$																		
7, 16	$h_{CC}$																		
16	$R_{ALT}$																		
Inputs: Constants, Coefficients, and Data Tables																			
<p data-bbox="259 1365 893 1407">Constants: <math>X_0, Y_0, H_0, WL_{G2}, GRD_{ALT}</math></p> <p data-bbox="259 1533 568 1575">Coefficients: None</p> <p data-bbox="259 1669 568 1711">Data Tables: None</p>																			

SUBSYSTEM NO. 10f: AXES TRANSFORMATION (GROUND REFERENCE DISTANCES)

Inputs: Variables

Symbol	Description	Units
$U_G$	x-velocity ground component of aircraft c.g.	ft/sec
$V_G$	y-velocity ground component of aircraft c.g.	ft/sec
$W_G$	z-velocity ground component of aircraft c.g.	ft/sec
$WL_{CG}$	Water line of c.g.	in

Inputs: Constants, Coefficients, and Data Tables

$X_o$	Initial x-position of the aircraft c.g. with respect to the ground	ft
$Y_o$	Initial y-position of the aircraft c.g. with respect to the ground	ft
$Z_o$	Initial z-position of the aircraft c.g. with respect to the ground	ft
$WL_{G2}$	Waterline of the main landing gear	in
$GRD_{ALT}$	Pressure altitude on the surface of the ground (altitude above sea level)	ft

Outputs:

$N_N$	Distance from takeoff point in the direction of grid North (+ North)	NM
E	Distance from takeoff point in the direction of grid East (+ East)	NM

SUBSYSTEM NO. 10f: AXES TRANSFORMATION (GROUND REFERENCE DISTANCES)  
(CONCLUDED)

Outputs: (Concluded)

<u>Symbol</u>	<u>Description</u>	<u>Units</u>
$P_{AX}$	x-position of the aircraft c.g. with respect to the ground	NM
$P_{AY}$	y-position of the aircraft c.g. with respect to the ground	NM
$P_{ALT}$	z-position of the aircraft c.g. with respect to the ground	NM
$h_{CG}$	Altitude of aircraft	ft
$\dot{h}_{CG}$	Climb rate	ft/sec
$R_{ALT}$	Radar altitude	ft



## EQUATIONS

### SUBSYSTEM NO. 10f--AXES TRANSFORMATION (GROUND REFERENCE DISTANCES)

#### A. Ground Position

$$P_{AX} = N_N + X_0$$

$$P_{AY} = E + Y_0$$

Where

$$N_N = \frac{1}{1.6878} \int U_G dt$$

$$E = \frac{1}{1.6878} \int V_G dt$$

#### B. Height Above Ground (Aircraft c.g.)

$$h_{CG} = - \int W_G dt + H_0$$

#### C. Radar Altitude

$$R_{ALT} = h_{CG} - \left( \frac{WL_{CG} - WL_{G2}}{12} \right)$$

#### D. Pressure Altitude

$$P_{ALT} = GRD_{ALT} + h_{CG}$$

#### E. Rate of Climb

$$\dot{h}_{CG} = -W_G$$

11		AIRCRAFT ANGULAR ACCELERATIONS AND VELOCITIES	
Inputs: Variables		Outputs:	
<u>From Subsystem</u>	<u>Symbol</u>	<u>To Subsystem</u>	<u>Symbol</u>
13	X <sub>A</sub> Y <sub>A</sub> Z <sub>A</sub>	11	$\dot{p}$ $\dot{q}$ $\dot{r}$
14	l <sub>A</sub> M <sub>A</sub> N <sub>A</sub>	1, 4, 5, 6 10c, 11, 12	p q r
11	p q r $\dot{p}$ $\dot{q}$ $\dot{r}$	Simulator Cab	a <sub>XPA</sub> a <sub>YPA</sub> a <sub>ZPA</sub> U <sub>PA</sub> V <sub>PA</sub> W <sub>PA</sub>
9	I <sub>XX</sub> I <sub>YY</sub> I <sub>ZZ</sub> I <sub>XZ</sub> $\dot{X}_{CG}$ $\dot{Z}_{CG}$	16	r a <sub>YPA</sub>

(Concluded on next page)

11	AIRCRAFT ANGULAR ACCELERATIONS AND VELOCITIES (CONCLUDED)			
Inputs: Variables		Outputs:		
<u>From Subsystem</u>	<u>Symbol</u> $\ddot{X}_{CG}$ $\ddot{Z}_{CG}$ $\dot{q}_{\beta m}$ $SL_{CG}$ $WL_{CG}$	<u>To Subsystem</u>	<u>Symbol</u>	
Inputs: Constants, Coefficients, and Data Tables				
<p>Constants: <math>SL_{PA}</math>, <math>BL_{PA}</math>, <math>WL_{PA}</math>, <math>BL_{CG}</math>, <math>m</math></p> <p>Coefficients: None</p> <p>Data Tables: None</p>				

SUBSYSTEM NO. 11: AIRCRAFT ANGULAR ACCELERATIONS AND VELOCITIES

Inputs: Variables

Symbol	Description	Units
$X_A$	Total x-force on the aircraft body axis	lb
$Y_A$	Total y-force on the aircraft body axis	lb
$Z_A$	Total z-force on the aircraft body axis	lb
$l_A$	Total rolling moment on the aircraft in body axis	ft-lb
$M_A$	Total pitching moment on the aircraft in body axis	ft-lb
$N_A$	Total yawing moment on the aircraft in body axis	ft-lb
p	Body axis roll rate	rad/sec
q	Body axis pitch rate	rad/sec
r	Body axis yaw rate	rad/sec
$\dot{p}$	Body axis roll angular acceleration	rad/sec <sup>2</sup>
$\dot{q}$	Body axis pitch angular acceleration	rad/sec <sup>2</sup>
$\dot{r}$	Body axis yaw angular acceleration	rad/sec <sup>2</sup>
$I_{XX}$	Rolling moment of inertia about c.g.	slug-ft <sup>2</sup>
$I_{YY}$	Pitching moment of inertia about c.g.	slug-ft <sup>2</sup>
$I_{ZZ}$	Yawing moment of inertia about c.g.	slug-ft <sup>2</sup>
$I_{XZ}$	Product of inertia about c.g.	slug-ft <sup>2</sup>

SUBSYSTEM NO. 11: AIRCRAFT ANGULAR ACCELERATIONS AND VELOCITIES (CONTINUED)

Inputs: Variables (Concluded)

Symbol	Description	Units
$\dot{X}_{CG}$	Rate of longitudinal displacement as a function of mast tilt angle	in/sec
$\dot{Z}_{CG}$	Rate of vertical displacement as a function of mast tilt angle	in/sec
$\ddot{X}_{CG}$	Acceleration of longitudinal displacement as a function of mast tilt angle	in/sec <sup>2</sup>
$\ddot{Z}_{CG}$	Acceleration of vertical displacement as a function of mast tilt angle	in/sec <sup>2</sup>
$\dot{q}_{\beta m}$	Pitch acceleration due to pylon tilt	rad/sec <sup>2</sup>
$SL_{CG}$	Station line of c.g.	in
$WL_{CG}$	Water line of c.g.	in

Inputs: Constants, Coefficients, and Data Tables

$SL_{PA}$	Station line of the pilot's station	in
$BL_{PA}$	Butt line of the pilot's station	in
$WL_{PA}$	Water line of the pilot's station	in
$BL_{CG}$	Butt line of c.g.	in
$m'$	Mass of aircraft (GW/32.2)	slugs

SUBSYSTEM NO. 11: AIRCRAFT ANGULAR ACCELERATIONS AND VELOCITIES (CONCLUDED)

Outputs:

Symbol	Description	Units
$\dot{p}$	Body axis roll angular acceleration	rad/sec <sup>2</sup>
$\dot{q}$	Body axis pitch angular acceleration	rad/sec <sup>2</sup>
$\dot{r}$	Body axis yaw angular acceleration	rad/sec <sup>2</sup>
$p$	Body axis roll rate	rad/sec
$q$	Body axis pitch rate	rad/sec
$r$	Body axis yaw rate	rad/sec
$a_{XPA}$	x-axis (longitudinal) acceleration at the pilot's station	ft/sec <sup>2</sup>
$a_{YPA}$	y-axis (lateral) acceleration at the pilot's station	ft/sec <sup>2</sup>
$a_{ZPA}$	z-axis (vertical) acceleration at the pilot's station	ft/sec <sup>2</sup>
$U_{PA}$	x-velocity of the pilot's station in body axis	ft/sec
$V_{PA}$	y-velocity of the pilot's station in body axis	ft/sec
$W_{PA}$	z-velocity of the pilot's station in body axis	ft/sec

## EQUATIONS

### SUBSYSTEM 11--AIRCRAFT ANGULAR ACCELERATIONS AND VELOCITIES

#### A. Aircraft CG Angular Accelerations (Body Axes)

##### 1. Roll Equation

$$I_{XX} \dot{p} = (I_{YY} - I_{ZZ})(q)(r) + (I_{XZ})\left(\dot{r} + p q\right) + (L_A)$$

##### 2. Pitch Equation

$$I_{YY} \dot{q} = (I_{ZZ} - I_{XX})(p)(r) + (I_{XZ})(r^2 - p^2) + (M_A) - \left(\dot{q}_{\beta_m}\right)(I_{YY})$$

Where  $\dot{q}_{\beta_m}$  is due to pylon conversion (is non-zero while the pylons accelerate to a steady state conversion rate or decelerate to zero rate)

##### 3. Yaw Equation

$$I_{ZZ} \dot{r} = (I_{XX} - I_{YY})(p)(q) + (I_{XZ})\left(\dot{p} - r q\right) + (N_A)$$

##### 4. Angular Rate Equations

$$p = \int \dot{p} dt$$

$$q = \int \dot{q} dt$$

$$r = \int \dot{r} dt$$

EQUATIONS (CONTINUED)

SUBSYSTEM 11--AIRCRAFT ANGULAR ACCELERATIONS AND VELOCITIES

B. Pilot Station Accelerations (Body Axes)

$$a_{X_{PA}} = \frac{X_A}{m} + (\dot{q} + p \ r)(Z_{PA}) + (q^2 + r^2)(X_{PA}) \\ + (Y_{PA})(p \ q - \dot{r}) - (2q) \left( \frac{\dot{Z}_{CG}}{12} \right) - \left( \frac{\ddot{X}_{CG}}{12} \right)$$

$$a_{Y_{PA}} = \frac{X_A}{m} + (\dot{p} + q \ r)(Z_{PA}) + (\dot{r} + p \ q)(X_{PA}) \\ - (Y_{PA})(r^2 + p^2) + 2 \left( \frac{p \ \dot{Z}_{CG}}{12} - \frac{r \ \dot{X}_{CG}}{12} \right)$$

$$a_{Z_{PA}} = \frac{Z_A}{m} + (p \ r - \dot{q})(X_{PA}) - (p^2 + q^2)(Z_{PA}) \\ + (Y_{PA})(\dot{p} + q \ r) + (2q) \left( \frac{\dot{X}_{CG}}{12} \right) - \left( \frac{\ddot{Z}_{CG}}{12} \right)$$

Where

$$X_{PA} = \frac{(SL_{CG} - SL_{PA})}{12}$$

$$Y_{PA} = \frac{(BL_{PA} - BL_{CG})}{12}$$

$$Z_{PA} = \frac{(WL_{CG} - WL_{PA})}{12}$$



EQUATIONS (CONCLUDED)

SUBSYSTEM 11--AIRCRAFT ANGULAR ACCELERATIONS AND VELOCITIES

C. Pilot Station Velocities (Body Axes)

$$U_{PA} = U - (q)(Z'_{PA}) - (r)(Y'_{PA}) - (\dot{X}_{CG})$$

$$V_{PA} = V + (r)(X'_{PA}) + (p)(Z'_{PA})$$

$$W_{PA} = W - (q)(X'_{PA}) + (p)(Y'_{PA}) - \dot{Z}_{CG}$$

Where

$$X'_{PA} = \frac{(SL_{CG} - SL_{PA})}{12}$$

$$Y'_{PA} = \frac{(BL_{PA} - BL_{CG})}{12}$$

$$Z'_{PA} = \frac{(WL_{PA} - WL_{CG})}{12}$$

12		BODY AXIS LINEAR ACCELERATIONS AND VELOCITIES	
Inputs: Variables		Outputs:	
<u>From Subsystem</u>	<u>Symbol</u>	<u>To Subsystem</u>	<u>Symbol</u>
13	$X_A$	1, 4, 5, 6, 10d, 12	U
	$Y_A$		V
	$Z_A$		W
12	U	7, 8a, 15	U
	V		
	W	2, 3, 4, 5, 6	$V_T$
			$\alpha_F$
11	P		$\beta_F$
	q		
	r	5	$\dot{W}$
10c	$\theta$	1, 7, 14, 15, 18	$V_T$
	$\phi$		
	$\psi$	10a, 16	$\alpha_F$
9	$\ddot{X}_{CG}$		$\beta_F$
	$\ddot{Z}_{CG}$		
		16	$N_Z$
		6	$\dot{U}$
			$\dot{V}$
			$\dot{W}$

(Concluded on next page)

12

BODY AXIS LINEAR ACCELERATIONS AND VELOCITIES (CONCLUDED)

Inputs: Constants, Coefficients, and Data Tables

Constants: GW, m,  $U_o$ ,  $V_o$ ,  $W_o$ , g

Coefficients: None

Data Tables: None

SUBSYSTEM NO. 12: BODY AXIS LINEAR ACCELERATIONS AND VELOCITIES

Inputs: Variables

Symbol	Description	Units
$X_A$	Total x-force on the aircraft body axis	lb
$Y_A$	Total y-force on the aircraft body axis	lb
$Z_A$	Total z-force on the aircraft body axis	lb
U	x-velocity (longitudinal) of the aircraft c.g. in body axis with respect to the air	ft/sec
V	y-velocity (lateral) of the aircraft c.g. in body axis with respect to the air	ft/sec
W	z-velocity (vertical) of the aircraft c.g. in body axis with respect to the air	ft/sec
p	Body axis roll rate	rad/sec
q	Body axis pitch rate	rad/sec
r	Body axis yaw rate	rad/sec
$\theta$	Euler pitch angle	rad
$\phi$	Euler roll angle	rad
$\psi$	Euler yaw angle	rad
$\ddot{X}_{CG}$	Acceleration of longitudinal c.g. displacement as a function of mast tilt angle	in/sec <sup>2</sup>
$\ddot{Z}_{CG}$	Acceleration of vertical c.g. displacement as a function of mast tilt angle	in/sec <sup>2</sup>

SUBSYSTEM NO. 12: BODY AXIS LINEAR ACCELERATIONS AND VELOCITIES (CONTINUED)

Inputs: Constants, Coefficients, and Data Tables

Symbol	Description	Units
GW	Total aircraft gross weight	lb
m	Mass of the aircraft (GW/32.2)	slugs
$U_0$	Initialization x-axis velocity	ft/sec
$V_0$	Initialization y-axis velocity	ft/sec
$W_0$	Initialization z-axis velocity	ft/sec
g	Gravitational constant (32.2 ft/sec <sup>2</sup> )	ft/sec <sup>2</sup>

Outputs:

U	x-velocity (longitudinal) of the aircraft c.g. in body axis with respect to the air	ft/sec
V	y-velocity (lateral) of the aircraft c.g. in body axis with respect to the air	ft/sec
W	z-velocity (vertical) of the aircraft c.g. in body axis with respect to the air	ft/sec
$V_T$	Total linear velocity of the aircraft c.g. with respect to the air	ft/sec
$\alpha_F$	Fuselage angle of attack	rad
$\beta_F$	Fuselage sideslip angle	rad

SUBSYSTEM NO. 12: BODY AXIS LINEAR ACCELERATIONS AND VELOCITIES (CONCLUDED)

Outputs: Concluded

Symbol	Description	Units
$\dot{U}$	Rate of change of x-velocity (longitudinal) of the c.g. in body axis with respect to the air	ft/sec
$\dot{V}$	Rate of change of y-velocity (lateral) of the c.g. in body axis with respect to the air	ft/sec
$\dot{W}$	Rate of change of z-velocity (vertical) of the c.g. in body axis with respect to the air	ft/sec
$N_X$	x-axis (longitudinal) acceleration at the c.g. in body axis	G's
$N_Y$	y-axis (lateral) acceleration at the c.g. in body axis	G's
$N_Z$	z-axis (vertical) acceleration at the c.g. in body axis	G's

## EQUATIONS

### SUBSYSTEM NO. 12--BODY AXIS LINEAR ACCELERATIONS AND VELOCITIES

#### A. Linear Accelerations

$$\dot{U} = -g \sin \theta + Vr - Wq + \left( \frac{X_A}{m} \right) + \left( \frac{\ddot{X}_{CG}}{12} \right)$$

$$\dot{V} = g \cos \theta \sin \phi - Ur + Wp + \left( \frac{Y_A}{m} \right)$$

$$\dot{W} = g \cos \theta \cos \phi + Uq - Vp + \left( \frac{Z_A}{m} \right) + \left( \frac{\ddot{Z}_{CG}}{12} \right)$$

Where  $\ddot{X}_{CG}/12$  and  $\ddot{Z}_{CG}/12$  are very minor terms resulting from pylon conversion (are non-zero while the pylons accelerate to a steady state conversion rate or decelerate to zero rate)

$$N_x = \frac{X_A}{GW}$$

$$N_y = \frac{Y_A}{GW}$$

$$N_z = \frac{Z_A}{GW}$$

#### B. Body Axis Velocities

$$U = \int \dot{U} dt + U_0$$

$$V = \int \dot{V} dt + V_0$$

EQUATIONS (CONCLUDED)

SUBSYSTEM NO. 12--BODY AXIS LINEAR ACCELERATIONS AND VELOCITIES

B. Body Axis Velocities (Concluded)

$$W = \int \dot{W} dt + W_0$$

$$V_T = \sqrt{U^2 + V^2 + W^2}$$

C. Angle of Attack, Flight Path Angle

$$\alpha_F = \tan^{-1} \left( \frac{W}{U} \right) = \theta - \gamma$$

$$\gamma = \tan^{-1} \left( \frac{\dot{h}}{U_G} \right)$$

where

$\gamma$  = angle between horizontal and flight path (positive flight path above horizon)

$\alpha$  = angle between flight path and body axis (positive for body axis above flight path)

$\theta$  = angle between horizontal and body axis (positive above horizon)

D. Angle of Sideslip

$$\beta_F = \tan^{-1} \left( \frac{V}{U \sqrt{1 + \frac{W^2}{U^2}}} \right)$$

E. Load Factor

$$XNZ = \cos \theta - \left( \frac{\dot{W} + \rho V - U_q}{32.2} \right)$$



13		FORCE SUMMATION	
Inputs: Variables		Outputs:	
<u>From Subsystem</u>	<u>Symbol</u>	<u>To Subsystem</u>	<u>Symbol</u>
10a	$(X, Y, Z)_F$	12, 11	$X_A$
	$(X, Z)_{iWPL}$		$Y_A$
	$(X, Z)_{iWPR}$		$Z_A$
	$(X, Y, Z)_{WP}$		
	$(X, Y, Z)_H$		
	$(X, Y, Z)_{MG}$		
	$(X, Y, Z)_{NG}$		
	$(X, Y, Z)_V(i)$		
	$(X, Y, Z)_{SD}$		
	$(X, Z)_{iPYL}$		
	$(X, Y, Z)_{PYLT}$		
10b	$(X, Y, Z)_L$		
	$(X, Y, Z)_R$		
7	$(\Delta X, \Delta Y, \Delta Z)_{LG}$		
18	$(X, Z)_{JTR}$		
	$(X, Z)_{JTL}$		

(Concluded on next page)

13	FORCE SUMMATION (CONCLUDED)
Inputs: Constants, Coefficients, and Data Tables	
<p data-bbox="261 499 602 527">Constants: NVSTAB</p> <p data-bbox="261 604 570 632">Coefficients: None</p> <p data-bbox="261 709 570 737">Data Tables: None</p>	

SUBSYSTEM NO. 13: FORCE SUMMATION

Inputs: Variables

Symbol	Description	Units
$(X,Y,Z)_F$	Aerodynamic forces on the fuselage, body axis	lb
$(X,Z)_{iWPL}$	Aerodynamic forces on the portion of the left wing-pylon in the rotor wake, body axis	lb
$(X,Z)_{iWPR}$	Aerodynamic forces on the portion of the right wing-pylon in the rotor wake, body axis	lb
$(X,Y,Z)_{WP}$	Aerodynamic forces on the wing-pylon portion in the freestream, body axis	lb
$(X,Y,Z)_H$	Aerodynamic forces on the horizontal stabilizer, body axis	lb
$(X,Y,Z)_{MG}$	Aerodynamic forces on the main landing gear, body axis	lb
$(X,Y,Z)_{NG}$	Aerodynamic forces on the nose landing gear, body axis	lb
$(X,Y,Z)_{V(i)}$	Aerodynamic forces due to the vertical stabilizer(s), body axis	lb
$(X,Y,Z)_{SD}$	Spinner drag aerodynamic forces, body axis	lb
$(X,Z)_{iPYL}$	Pylon aerodynamic interference forces, body axis	lb
$(X,Y,Z)_{PYLT}$	Lateral pylon drag model aerodynamic forces, body axis	lb
$(X,Y,Z)_L$	Left rotor forces, body axis	lb
$(X,Y,Z)_R$	Right rotor forces, body axis	lb

SUBSYSTEM NO. 13: FORCE SUMMATION (CONCLUDED)

Inputs: Variables (Concluded)

Symbol	Description	Units
$(\Delta X, \Delta Y, \Delta Z)_{LG}$	Total landing gear forces in body axis	lb
$(X, Z)_{JTR}$	Right engine jet thrust forces, body axis	lb
$(X, Z)_{JTL}$	Left engine jet thrust forces, body axis	lb

Inputs: Constants, Coefficients, and Data Tables

NVSTAB	Number of vertical stabilizers	ND
--------	--------------------------------	----

Outputs:

$X_A$	Total x-force on the aircraft, body axis	lb
$Y_A$	Total y-force on the aircraft, body axis	lb
$Z_A$	Total z-force on the aircraft, body axis	lb

## EQUATIONS

### SUBSYSTEM NO. 13--FORCE SUMMATION

#### A. X-Force Equation

$$X_A = X_F + X_{iWPR} + X_{iWPL} + X_{WP} + X_H + X_{MG} + X_{NG} + \Delta X_{LG} \\ + X_L + X_R + \sum_{i=1}^{NVSTAB} X_V(i) + X_{JTR} + X_{JTL} + X_{SD} + X_{PYLT} + X_{iPYL}$$

#### B. Y-Force Equation

$$Y_A = Y_F + Y_{WP} + Y_L + Y_R + \sum_{i=1}^{NVSTAB} Y_V(i) + Y_H \\ + Y_{MG} + Y_{NG} + \Delta Y_{LG} + Y_{SD} + Y_{PYLT}$$

#### C. Z-Force Equation

$$Z_A = Z_F + Z_{iWPL} + Z_{iWPR} + Z_{WP} + Z_H + Z_{NG} + Z_{MG} + \Delta Z_{LG} \\ + Z_{JTR} + Z_{JTL} + Z_L + Z_R + Z_{SD} + Z_{iPYL} + Z_{PYLT}$$

14		MOMENT SUMMATION	
Inputs: Variables		Outputs:	
<u>From Subsystem</u>	<u>Symbol</u>	<u>To Subsystem</u>	<u>Symbol</u>
9	$SL_{CG}$	11	$l_A$
	$WL_{CG}$		$M_A$
	$h_H$		$N_A$
10a	$(X, Y, Z)_F$		
	$(X, Z)_{iWPL}$		
	$(X, Z)_{iWPR}$		
	$(X, Y, Z)_{WP}$		
	$(X, Y, Z)_H$		
	$(X, Y, Z)_V(i)$		
	$(X, Y, Z)_{MG}$		
	$(X, Y, Z)_{NG}$		
	$(X, Y, Z)_{SD}$		
	$(X, Z)_{iPYL}$		
	$(X, Y, Z)_{PYLT}$		
	$(1, M, N)_F$		
	$(1, M, N)_{WP}$		
	$(1, M, N)_H$		
7	$(\Delta l, \Delta M, \Delta N)_{LG}$		
10b	$(X, Y, Z)_L$		
	$(X, Y, Z)_R$		
	$(1, M, N)_L$		
	$(1, M, N)_R$		

(Concluded on next page)

14

## MOMENT SUMMATION (CONTINUED)

Inputs: Variables

Outputs:

<u>From Subsystem</u>	<u>Symbol</u>	<u>To Subsystem</u>	<u>Symbol</u>
4	$(X_{iW}, Y_{iW})_R$ $(X_{iW}, Y_{iW})_L$		
10c	$\phi$		
12	$V_T$		
1	$T_R$ $T_L$		
8a	$\beta_m$		
6	$l_{XV}(i)$ $l_{YV}(i)$ $l_{ZV}(i)$		
18	$(X, Z)_{JTR}$ $(X, Z)_{JTL}$		

Inputs: Constants, Coefficients, and Data Tables

Constants:  $BL_{CG}, SL_F, WL_F, SL_{WP}, WL_{WP}, SL_H, WL_H,$   
 $SL_{MG}, WL_{MG}, SL_{NG}, WL_{NG}, SL_V(i), BL_V(i), WL_V(i),$   
 $SL_{SP}, BL_{SP}, WL_{SP}, l_m, R, \phi_m, NVSTAB$

(Concluded on next page)

14

MOMENT SUMMATION (CONCLUDED)

Inputs: Constants, Coefficients, and Data Tables

Coefficients:  $l_{G0}, l_{G1}, l_{G2}, l_{G3}, l_{G4}, G_{ELLIM}, G_{EULIM},$   
 $M_{G1}, M_{G2}, M_{G3}$

Data Tables: None



SUBSYSTEM NO. 14: MOMENT SUMMATION

Inputs: Variables

Symbol	Description	Units
$SL_{CG}$	Station line of c.g.	in
$WL_{CG}$	Water line of c.g.	in
$h_H$	Rotor hub height above ground	ft
$(X,Y,Z)_F$	Aerodynamic forces on the fuselage, body axis	lb
$(X,Z)_{iWPL}$	Aerodynamic forces on the portion of the left wing-pylon in the rotor wake, body axis	lb
$(X,Z)_{iWPR}$	Aerodynamic forces on the portion of the right wing-pylon in the rotor wake, body axis	lb
$(X,Y,Z)_{WP}$	Aerodynamic forces on the wing-pylon portion in the freestream, body axis	lb
$(X,Y,Z)_H$	Aerodynamic forces on the horizontal stabilizer, body axis	lb
$(X,Y,Z)_V(i)$	Aerodynamic forces on the vertical stabilizer(s), body axis	lb
$(X,Y,Z)_{MG}$	Aerodynamic forces on the main landing gear, body axis	lb
$(X,Y,Z)_{NG}$	Aerodynamic forces on the nose landing gear, body axis	lb
$(X,Y,Z)_{SD}$	Spinner drag aerodynamic forces, body axis	lb

SUBSYSTEM NO. 14: MOMENT SUMMATION (CONTINUED)

Inputs: Variables (Continued)

Symbol	Description	Units
$(X,Z)_{iPYL}$	Pylon aerodynamic interference forces, body axis	lb
$(X,Y,Z)_{PYLT}$	Lateral pylon drag model aerodynamic forces, body axis	lb
$(1,M,N)_F$	Rolling, pitching, and yawing aerodynamic moments on the fuselage about the body x-, y-, and z-axes	ft-lb
$(1,M,N)_{WP}$	Rolling, pitching, and yawing aerodynamic moments due to the wing-pylon about the body x-, y-, and z-axes	ft-lb
$(1,M,N)_H$	Rolling, pitching, and yawing aerodynamic moments due to the horizontal stabilizer about the body x-, y-, and z-axes	ft-lb
$(\Delta l, \Delta M, \Delta N)_{LG}$	Total landing gear rolling, pitching, and yawing moments in body axis	ft-lb
$(X,Y,Z)_L$	Left rotor forces, body axis	lb
$(X,Y,Z)_R$	Right rotor forces, body axis	lb
$(1,M,N)_L$	Rolling, pitching, and yawing moments due to the left rotor about the body x-, y-, and z-axes	ft-lb
$(1,M,N)_R$	Rolling, pitching, and yawing moments due to the right rotor about the body x-, y-, and z-axes	ft-lb
$(X_{iW}, Y_{iW})_R$	Moment arms for right wing-pylon z-force due to rotor wake	in
$(X_{iW}, Y_{iW})_L$	Moment arms for left wing-pylon z-force due to rotor wake	in

SUBSYSTEM NO. 14: MOMENT SUMMATION (CONTINUED)

Inputs: Variables (Concluded)

Symbol	Description	Units
$\phi$	Euler roll angle	rad
$V_T$	Total linear velocity of the aircraft c.g. with respect to the air	ft/sec
$T_R$	Mast axis right rotor thrust (+ up for helicopter)	lb
$T_L$	Mast axis left rotor thrust (+ up for helicopter)	lb
$\beta_m$	Mast conversion angle (+ fwd, 0 deg = vertical or helicopter, 90 deg = horizontal or airplane)	deg
$l_{XV}^{(i)}$	Stationline distance from the c.g. to the vertical stabilizer center of pressure	ft
$l_{YV}^{(i)}$	Butt line distance from the c.g. to the vertical stabilizer center of pressure	ft
$l_{ZV}^{(i)}$	Water line distance from the c.g. to the vertical stabilizer center of pressure	ft
$(X,Z)_{JTR}$	Right engine jet thrust forces, body axis	lb
$(X,Z)_{JTL}$	Left engine jet thrust forces, body axis	lb

SUBSYSTEM NO. 14: MOMENT SUMMATION (CONTINUED)

Inputs: Constants, Coefficients, and Data Tables

Symbol	Description	Units
BL <sub>CG</sub>	Butt line of c.g.	in
SL <sub>F</sub>	Station line of fuselage center of pressure	in
WL <sub>F</sub>	Water line of fuselage center of pressure	in
SL <sub>WP</sub>	Station line of the wing-pylon center of pressure	in
WL <sub>WP</sub>	Water line of the wing-pylon center of pressure	in
SL <sub>H</sub>	Station line of the horizontal stabilizer center of pressure	in
WL <sub>H</sub>	Water line of the horizontal stabilizer center of pressure	in
SL <sub>MG</sub>	Station line of the main landing gear	in
WL <sub>MG</sub>	Water line of the main landing gear	in
SL <sub>NG</sub>	Station line of the nose landing gear	in
WL <sub>NG</sub>	Water line of the nose landing gear	in
SL <sub>V(i)</sub>	Station line of the vertical stabilizer(s) center of pressure	in
BL <sub>V(i)</sub>	Butt line of the vertical stabilizer(s) center of pressure	in
WL <sub>V(i)</sub>	Water line of the vertical stabilizer(s) center of pressure	in

SUBSYSTEM NO. 14: MOMENT SUMMATION (CONTINUED)

Inputs: Constants, Coefficients, and Data Tables (Continued)

Symbol	Description	Units
$SL_{SP}$	Station line of engine nacelle shaft pivot point	in
$BL_{SP}$	Butt line of engine nacelle shaft pivot point	in
$WL_{SP}$	Water line of engine nacelle shaft pivot point	in
$l_m$	Mast length	ft
R	Rotor radius	ft
$\phi_m$	Lateral mast tilt	rad
NVSTAB	Number of vertical stabilizers	ND
$l_{G0}$	Ground effect rolling moment coefficient	$\frac{ft-lb}{deg}$
$l_{G1}$	Ground effect rolling moment coefficient	$\frac{ft-lb}{deg-ft}$
$l_{G2}$	Ground effect rolling moment coefficient	$\frac{ft-lb}{deg-ft^2}$
$l_{G3}$	Ground effect rolling moment coefficient	$\frac{ft-lb}{deg-ft^3}$
$l_{G4}$	Ground effect rolling moment coefficient	sec/ft
GELLIM	Lower altitude limit in the ground effect rolling moment equation	ND
GEULIM	Upper altitude limit in the ground effect rolling moment equation	ND

SUBSYSTEM NO. 14: MOMENT SUMMATION (CONCLUDED)

Inputs: Constants, Coefficients, and Data Tables (Concluded)

Symbol	Description	Units
$M_{G1}$	Constant in the IGE pitching moment equation	ft
$M_{G2}$	Constant in the IGE pitching moment equation	ND
$M_{G3}$	Constant in the IGE pitching moment equation	sec/ft

Outputs:

$l_A$	Total rolling moment on the aircraft in body axis	ft-lb
$M_A$	Total pitching moment on the aircraft in body axis	ft-lb
$N_A$	Total Yawing moment on the aircraft in body axis	ft-lb

EQUATIONS

SUBSYSTEM NO. 14--MOMENT SUMMATION

A. Pitching Moment Equation

$$\begin{aligned}
 M_A = & (X_F) \left[ \frac{WL_{CG} - WL_F}{12} \right] + Z_F \left[ \frac{SL_F - SL_{CG}}{12} \right] \\
 & + (X_{iWPL} + X_{iWPR} + Y_{WP}) \left[ \frac{WL_{CG} - WL_W}{12} \right] - (Z_{iWPR})(X_{iWR}) \\
 & - (Z_{iWPL})(X_{iWL}) + (Z_{WP}) \left[ \frac{SL_{WP} - SL_{CG}}{12} \right] + (X_H) \left[ \frac{WL_{CG} - WL_H}{12} \right] \\
 & + (Z_H) \left[ \frac{SL_H - SL_{CG}}{12} \right] + (X_{MG}) \left[ \frac{WL_{CG} - WL_{MG}}{12} \right] + (Z_{MG}) \left[ \frac{SL_{MG} - SL_{CG}}{12} \right] \\
 & + (X_{NG}) \left[ \frac{WL_{CG} - WL_{NG}}{12} \right] + (Z_{NG}) \left[ \frac{SL_{NG} - SL_{CG}}{12} \right] + \sum_{i=1}^{NVSTAB} [X_V(i)] [-l_{ZV}(i)] \\
 & + (X_L + X_R) \left[ \frac{WL_{CG} - WL_{SP} - (12)(l_m)(\cos \beta_m)}{12} \right] \\
 & + (Z_L + Z_R) \left[ \frac{SL_{SP} - SL_{CG} - (12)(l_m)(\sin \beta_m)}{12} \right] + M_F + M_{WP}
 \end{aligned}$$

(Equation concluded on next page)

EQUATIONS (CONTINUED)

SUBSYSTEM NO. 14--MOMENT SUMMATION

A. Pitching Moment Equation

$$\begin{aligned}
 &+M_H + M_L + M_R + \Delta M_{LG} + M_{GEFF} + (X_{SD}) \left[ \frac{WL_{CG} - WL_{SP} - (12)(l_m)(\cos \beta_m)}{12} \right] \\
 &- (Z_{SD}) \left[ \frac{SL_{CG} - SL_{SP} + (12)(l_m)(\sin \beta_m)}{12} \right] - (X_{iPYL}) \left[ \frac{WL_{SP} - WL_{CG}}{12} \right] \\
 &+ (Z_{iPYL}) \left[ \frac{SL_{SP} - SL_{CG}}{12} \right] + (X_{PYLT}) \left[ \frac{WL_{CG} - WL_{SP}}{12} \right] \\
 &+ (Z_{PYLT}) \left[ \frac{SL_{SP} - SL_{CG}}{12} \right] + (Z_{JTR} + Z_{JTL}) \left[ \frac{SL_{SP} - SL_{CG}}{12} \right] \\
 &- (X_{JTR} + X_{JTL}) \left[ \frac{WL_{SP} - WL_{CG}}{12} \right]
 \end{aligned}$$

Where the pitching moment term due to ground effect is:

$$M_{GEFF} = M_{G1} (T_R + T_L) \left[ \exp \left( \frac{-h_H}{2R} \right) (M_{G2}) \right] \left[ \exp (M_{G3})(V_T) \right]$$



EQUATIONS (CONTINUED)

SUBSYSTEM NO. 14--MOMENT SUMMATION

B. Rolling Moment Equation

$$\begin{aligned}
 I_A = & (Y_F) \left[ \frac{WL_F - WL_{CG}}{12} \right] + (Z_{iWPL})(Y_{iWL}) + (Z_{iWPR})(Y_{iWR}) \\
 & + (Y_{iWPR} + Y_{iWPL} + Y_{WP}) \left[ \frac{WL_{WP} - WL_{CG}}{12} \right] \\
 & + (Y_L + Y_R) \left[ \frac{WL_{SP} - WL_{CG} + (12)(l_m)(\cos \beta_m)}{12} \right] - (Z_L) \left[ \frac{BL_{SP} + BL_{CG} + (12)(l_m)(\sin \phi_m)}{12} \right] \\
 & + (Z_R) \left[ \frac{BL_{SP} - BL_{CG} + (12)(l_m)(\sin \phi_m)}{12} \right] + l_F + l_{WP} + l_L + l_R + l_{GEFF}(\phi) + \Delta l_{LG} \\
 & - (Y_{MG}) \left[ \frac{WL_{CG} - WL_{MG}}{12} \right] - (Y_{NG}) \left[ \frac{WL_{CG} - WL_{NG}}{12} \right] \\
 & + (Y_{SD}) \left[ \frac{WL_{SP} - WL_{CG} + (12)(l_m)(\cos \beta_m)}{12} \right] + (Y_{PYLT}) \left[ \frac{WL_{SP} - WL_{CG}}{12} \right] \\
 & + \sum_{i=1}^{NVSTAB} [Y_v(i)] [l_{zv}(i)] + (Z_{JTR}) \left[ \frac{BL_{SP} - BL_{CG}}{12} \right] - (Z_{JTL}) \left[ \frac{BL_{SP} + BL_{CG}}{12} \right]
 \end{aligned}$$

Where the rolling moment term due to ground effect is:

$$l_{GEFF} = \left\{ (l_{G0}) + (l_{G1}) \left( \frac{h_H}{2R} \right) + (l_{G2}) \left( \frac{h_H}{2R} \right)^2 + (l_{G3}) \left( \frac{h_H}{2R} \right)^3 \right\} \left[ \exp^{(l_{G4})(v_T)} \right]$$

$$\text{for } GELLIM \leq \frac{h_H}{2R} \leq GEULIM$$

EQUATIONS (CONCLUDED)

SUBSYSTEM NO. 14--MOMENT SUMMATION

C. Yawing Moment Equation

$$\begin{aligned}
 N_A = & (Y_F) \left[ \frac{SL_{CG} - SL_F}{12} \right] - (X_{iWPL})(Y_{iWL}) - X_{iWPR}(Y_{iWR}) \\
 & + (Y_{iWPR})(X_{iWR}) + (Y_{iWPL})(X_{iWL}) + (Y_{WP}) \left[ \frac{SL_{CG} - SL_{WP}}{12} \right] \\
 & + (X_L) \left[ \frac{BL_{SP} + BL_{CG} + (12)(l_m)(\sin \phi_m)}{12} \right] + (X_R) \left[ \frac{BL_{SP} - BL_{CG} + (12)(l_m)(\sin \phi_m)}{12} \right] \\
 & + (Y_H) \left[ \frac{SL_{CG} - SL_H}{12} \right] + (Y_L + Y_R) \left[ \frac{SL_{CG} - SL_{SP} + (12)(l_m)(\sin \beta_m)}{12} \right] \\
 & + N_F + N_{WP} + N_L + N_R + \Delta N_{LG} + \sum_{i=1}^{NVSTAB} - \{ [Y_v(i)][l_{xv}(i)] + [X_v(i)][l_{yv}(i)] \} \\
 & + (Y_{MG}) \left[ \frac{SL_{CG} - SL_{MG}}{12} \right] + (Y_{NG}) \left[ \frac{SL_{CG} - SL_{NG}}{12} \right] \\
 & + (X_{JTL}) \left[ \frac{BL_{SP} + BL_{CG}}{12} \right] - (X_{JTR}) \left[ \frac{BL_{SP} - BL_{CG}}{12} \right] \\
 & + (Y_{PYLT}) \left[ \frac{SL_{CG} - SL_{SP}}{12} \right] + (Y_{SD}) \left[ \frac{SL_{CG} - SL_{SP} + (12)(l_m)(\sin \beta_m)}{12} \right]
 \end{aligned}$$

15	FLIGHT ENVIRONMENT			
Inputs: Variables			Outputs:	
<u>From Subsystem</u>	<u>Symbol</u>	<u>To Subsystem</u>	<u>Symbol</u>	
10f	$h_{CG}$	1, 2, 3, 4, 5, 6	$\rho$	
	$P_{ALT}$		$M_N$	
12	$V_T$	18	$P_a$	
	U		$T_a$	
		16	$V_{KCAS}$	
Inputs: Constants, Coefficients, and Data Tables				
<p>Constants: <math>T_o, \rho_o</math></p> <p>Coefficients: None</p> <p>Data Tables: None</p>				

SUBSYSTEM NO. 15: FLIGHT ENVIRONMENT

Inputs: Variables

Symbol	Description	Units
$h_{CG}$	Altitude of aircraft	ft
$P_{ALT}$	Pressure altitude	ft
$V_T$	Total linear velocity of the rotorcraft c.g. with respect to the air	ft/sec
$U$	x-velocity (longitudinal) of the aircraft c.g. in body axis with respect to the air	ft/sec

Inputs: Constants, Coefficients, and Data Tables

$T_o$	Absolute sea level standard temperature	deg K
$\rho_o$	Air density at sea level standard conditions	slug/ft <sup>3</sup>

Outputs:

$\rho$	Air density	slug/ft <sup>3</sup>
$M_N$	Mach number	ND
$U_{KCAS}$	Calibrated airspeed	kt
$P_a$	Ambient absolute pressure	lb/ft <sup>2</sup>
$T_a$	Ambient absolute temperature	deg K

SUBSYSTEM NO. 15--FLIGHT ENVIRONMENT

A. Temperature Relationships

$$\text{OAT} = T_a - 273.16 \quad (\text{outside air temperature, deg C})$$

$$T_a = T_o - 0.0019812(P_{\text{ALT}}) + \Delta T$$

Where

$$T_o = 288.16 \text{ deg K}$$

$P_{\text{ALT}}$  = pressure altitude

$$\theta_{\text{TEST}} = \frac{T_a}{T_o}$$

$$\delta_{\text{STD}} = \left[ \frac{(T_a - \Delta T)}{T_o} \right]^{5.255876}$$

B. Air Density and Air Density Ratio

$$\rho = (\rho_o)(\sigma')$$

Where

$$\rho_o = 0.0023769 \text{ slugs/ft}^3$$

$$\sigma' = \left\{ \frac{[1.0 - (0.00000687)(P_{\text{ALT}})]^{5.255876}}{1 - (0.00000687)(P_{\text{ALT}}) + (\Delta T/288.16)} \right\} = \left( \frac{\delta_{\text{STD}}}{\theta_{\text{TEST}}} \right)$$

EQUATIONS (Concluded)

SUBSYSTEM NO. 15: FLIGHT ENVIRONMENT

C. Velocities

$$V_s = (661.48)(\theta_T)^{1/2} \quad (\text{in knots})$$

$$V_s = (1116.4)(\theta_T)^{1/2} \quad (\text{in ft/sec})$$

$$M_N = V_T / V_s$$

$$V_{TKTS} = (0.5925)(V_{TFPS})$$

$$V_T = \left( \frac{1}{\sqrt{\sigma'}} \right) (V_{EAS})$$

$$V_{KCAS} = (661.48) \left\{ 5 \left[ \left( 1 + (\delta_{STD}) \left\{ \left[ 1 + \left( \frac{0.2}{\theta_{TEST}} \right) \left( \frac{V_T}{661.48} \right)^2 \right]^{7/2} - 1 \right\} \right)^{2/7} - 1 \right] \right\}^{1/2}$$

$$U_{KCAS} = (661.48) \left\{ 5 \left[ \left( 1 + (\delta_{STD}) \left\{ \left[ 1 + \left( \frac{0.2}{\theta_{TEST}} \right) \left( \frac{U}{661.48} \right)^2 \right]^{7/2} - 1 \right\} \right)^{2/7} - 1 \right] \right\}^{1/2}$$

D. Density Altitude (ft)

$$h_D = \frac{1 - (\sigma')^{0.235}}{0.00000687535}$$

16		PILOT'S INSTRUMENT PANEL	
Inputs: Variables		Outputs:	
<u>From Subsystem</u>	<u>Symbol</u>	<u>To Subsystem</u>	<u>Symbol</u>
8a	$\beta_m$	Instruments read visually by pilot in simulator cockpit	
8d	$X_{FL}$		
	$X_{LG}$		
7	$LG_{TLT}$		
10f	$h_{CG}$		
	$\dot{h}_{CG}$		
	$P_{ALT}$		
	$R_{ALT}$		
12	$\alpha_F$		
	$\beta_F$		
	$N_Z$		
11	$r$		
	$a_{YPA}$		
15	$V_{KCAS}$		
10c	$\theta$		
	$\phi$		
	$\psi$		
	$\dot{\theta}$		
	$\dot{\phi}$		
	$\dot{\psi}$		

(Concluded on next page)

16	PILOT'S INSTRUMENT PANEL (CONCLUDED)			
Inputs: Variables		Outputs:		
<u>From Subsystem</u>	<u>Symbol</u>	<u>To Subsystem</u>	<u>Symbol</u>	
18	$Q_{RPT}$ $Q_{LPT}$			
19	$\Omega_R$ $\Omega_L$ $\Omega_{RPT}$ $\Omega_{LPT}$ $\Omega_{INT}$			
17	$RPM_{P_{MIN}}$			
Inputs: Constants, Coefficients, and Data Tables				
Constants: $AS_{CAL}, AS_0, \theta_{MAX}, \theta_{RPT1}, \theta_{INT1}, N_{RMAX}$				



SUBSYSTEM NO. 16: PILOT'S INSTRUMENT PANEL

Inputs: Variables

Symbol	Description	Units
$\beta_m$	Mast conversion angle (+ fwd, 0 deg = vertical or helicopter, 90 deg = horizontal or airplane)	deg
$X_{FL}$	Position of flap indicator	ND
$X_{LG}$	Position of landing gear indicator	ND
$LG_{TLT}$	Landing gear touchdown light	ND
$h_{CG}$	Altitude of aircraft	ft
$\dot{h}_{CG}$	Climb rate	ft/sec
$P_{ALT}$	Pressure altitude	ft
$R_{ALT}$	Radar altitude	ft
$\alpha_F$	Fuselage angle of attack	rad
$\beta_F$	Fuselage sideslip angle	rad
$N_Z$	z-axis (vertical) acceleration at the c.g. in body axis	G's
$r$	Body axis yaw rate	rad/sec
$a_{YPA}$	y-axis (lateral) acceleration at the pilot's station	ft/sec <sup>2</sup>
$V_{KCAS}$	Calibrated airspeed	kt
$\theta$	Euler pitch angle	rad
$\phi$	Euler roll angle	rad
$\psi$	Euler yaw angle	rad

SUBSYSTEM NO. 16: PILOT'S INSTRUMENT PANEL (CONTINUED)

Inputs: Variables (Concluded)

Symbol	Description	Units
$\dot{\theta}$	Rate of change of Euler pitch angle	rad/sec
$\dot{\phi}$	Rate of change of Euler roll angle	rad/sec
$\dot{\psi}$	Rate of change of Euler yaw angle	rad/sec
$Q_{RPT}$	Right engine power turbine torque	ft-lb
$Q_{LPT}$	Left engine power turbine torque	ft-lb
$\Omega_R$	Instantaneous right rotor speed	rad/sec
$\Omega_L$	Instantaneous left rotor speed	rad/sec
$\Omega_{RPT}$	Right engine power turbine speed	rad/sec
$\Omega_{LPT}$	Left engine power turbine speed	rad/sec
$\Omega_{INT}$	Interconnect drive shaft speed	rad/sec
$RPM_{P_{MIN}}$	Minimum rotor RPM limit	RPM

Inputs: Constants, Coefficients, and Data Tables

$AS_{CAL}$	Airspeed calibration slope correction	ND
$AS_o$	Airspeed calibration intercept correction	kts
$Q_{MAX}$	Maximum allowable rotor torque	ft-lb
$\theta_{RPT1}$	Rotor turbine gear ratio	ND

SUBSYSTEM NO. 16: PILOT'S INSTRUMENT PANEL (CONCLUDED)

Inputs: Constants, Coefficients, and Data Tables (Concluded)

<u>Symbol</u>	<u>Description</u>	<u>Units</u>
$\theta_{INT1}$	Rotor interconnect gear ratio	ND
$N_{RMAX}$	Maximum rotor speed	RPM

Outputs:

Instruments read visually by pilot in simulator cockpit

## EQUATIONS

### SUBSYSTEM NO. 16--PILOT'S INSTRUMENT PANEL

#### Pilot's Controls and Switches

The simulator cab controls are conventional displacement controls and, in general, represent the layout of the XV-15 cockpit. The following are the control motions:

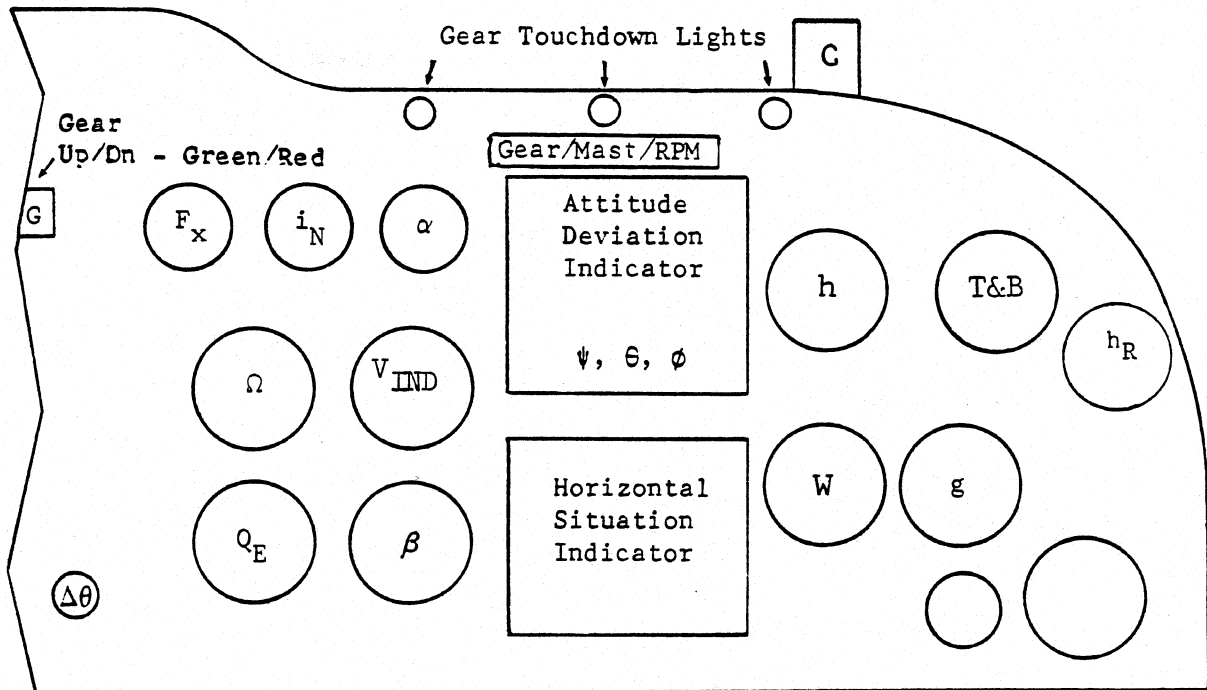
Controls	Symbol	Min (%)	Max (100%)	Range
F/A Cyclic	X <sub>LN</sub>	Aft	Fwd	9.6 inches
Lat. Cyclic	X <sub>LT</sub>	Left	Right	9.6 inches
Pedal	X <sub>PD</sub>	Left	Right	5 inches
Power Lever	X <sub>COL</sub>	Down	Up	10 inches
Flap Lever	X <sub>FL</sub>	Up	Down	1,2,3,4 - Manual
Landing Gear	X <sub>LG</sub>	Up	Down	2 position

LIST OF INSTRUMENTS IN THE CAB<sup>1</sup>

Instrument	Range	Units	Driver	Remarks
Wing Flaps	0-75	deg	$X_{FL}$	
Pylon Angle	0-100	deg	$\beta_m$	Pylon incidence $i_N = 90 - \beta_m$ 0 deg = airplane 90 deg = helicopter
Angle of Attack	+ 20	deg	$\alpha_F$	Fuselage angle of attack (+ nose up)
Triple Tach Left Engine	0-120	%	$\Omega_{LPT}$	$\frac{(100)(\Omega_{LPT})}{(0.10472)(\theta_{RPT1})(N_{RMAX})}$
Right Engine	0-120	%	$\Omega_{RPT}$	$\frac{(100)(\Omega_{RPT})}{(0.10472)(\theta_{RPT1})(N_{RMAX})}$
Rotor	0-120	%	$\Omega_{INT}$	$\frac{(100)(\Omega_{INT})}{(0.10472)(\theta_{RPT1})(N_{RMAX})}$
Left Rotor Torque	0-120	%	$Q_L$	$(100)(Q_L)/(Q_{MAX})$
Right Rotor Torque	0-120	%	$Q_R$	$(100)(Q_R)/(Q_{MAX})$
Airspeed	0-300	Kt	$U_{KIAS}$	$U_{KIAS} = (U_{KCAS})(AS_{CAL}) + AS_o$
Sideslip	+ 30	deg	$\beta_F$	
ADI		deg	$\theta, \phi$	
Directional Gyro		deg	$\psi$	Heading
Altimeter	0-30,000	ft	$P_{ALT}$	
Rate of Climb	+ 3500	ft/sec	$h_{CG}$	
Turn and Bank		deg/sec ft/sec	$r$ $a_{YPA}$	
Acceleration	-2 to +4	g	$N_z$	
Radar Altimeter	0-2,500	ft	$R_{ALT}$	

<sup>1</sup> The list of instruments is representative of what is usually provided. Some simulations have varied substantially from this list and used head-up displays, flap-panel CRTs, and sidestick controls. Figure A16-1 presents a cockpit layout representative of early XV-15 simulations.

COCKPIT INSTRUMENT DISPLAY



- |   |  |
|---|--|
| $F_x$ Flap Position                               | C Conversion Guide Indicator             |
| $i_N$ Nacelle Tilt Angle ( $90-\beta_m$ )         | h Baro Altimeter                         |
| $\alpha$ Angle of Attack                          | W Vertical Velocity Indicator            |
| $\Omega$ Rotor and Engines RPM                    | T&B Turn & Bank Indicator                |
| $V_{IND}$ Airspeed (Simulator $V_{CAL}=V_{IND}$ ) | $h_R$ Radar Altimeter ( $h_R = h_{CG}$ ) |
| $Q_E$ Engines and Cross Shaft Torque (Rotor)      | g Normal Acceleration                    |
| $\beta$ Sideslip Angle                            |  |
| $\Delta\theta$ Differential Collective            |  |

Figure A16-1. XV-15 Pilot's Control Panel

17	ROTOR COLLECTIVE GOVERNOR			
Inputs: Variables			Outputs:	
<u>From Subsystem</u>	<u>Symbol</u>	<u>To Subsystem</u>	<u>Symbol</u>	
8d	IRPM	8a	$\theta_{oL/G}$	
	MENB		$\theta_{oR/G}$	
	IGB			
	IGOVENG	16	$RPM_{P_{MIN}}$	
	$RPM_{SEL}$			
19	$\Omega_{INT}$			
	$\Omega_R$			
	$\Omega_L$			
8a	$\beta_m$			
Inputs: Constants, Coefficients, and Data Tables				
Constants:	$\theta_{ERR LIM}, \theta_{FCP LIM}, P_{SRG}, K_{1RGA}, K_{2RGA}, K_{3RGA},$			
	$K_{4RGA}, RPM_{P_{MAX}}, K_{RPM}, THOGMX, THOGMN$			
Coefficients:	$\theta_{INT 1}$			
Data Tables:	$K_{PROP} = f(\beta_m)$	Table 17-I		
	$K_{INTG} = f(\beta_m)$	Table 17-II		

SUBSYSTEM NO. 17: ROTOR COLLECTIVE GOVERNOR

Inputs: Variables

Symbol	Description	Units
IRPM	RPM adjustment wheel (increase/decrease)	ND
MENB	Pylon lock switch	ND
IGB	RPM governor disengage switch	ND
IGOVENG	RPM governor engage switch	ND
RPM <sub>SEL</sub>	Pilot's selected operating rotor speed	RPM
$\Omega_{INT}$	Interconnect drive shaft speed	rad/sec
$\Omega_R$	Instantaneous right rotor speed	rad/sec
$\Omega_L$	Instantaneous left rotor speed	rad/sec
$\beta_m$	Mast conversion angle (+ fwd, 0 deg = vertical or helicopter, 90 deg = horizontal or airplane)	deg

Inputs: Constants, Coefficients, and Data Tables

$\theta_{ERR LIM}$	Maximum error position limit on the governor actuator	deg
$\theta_{FCP LIM}$	Maximum governor flow control piston position limit	deg
$P_{SRG}$	Rotor collective governor actuator constant	lb/in <sup>2</sup>
$K_{1RGA}$	Rotor collective governor actuator gain	ND
$K_{2RGA}$	Rotor collective governor actuator gain	ND



SUBSYSTEM NO. 17: ROTOR COLLECTIVE GOVERNOR (CONCLUDED)

Inputs: Constants, Coefficients, and Data Tables (Concluded)

Symbol	Description	Units
$K_{3RGA}$	Rotor collective governor actuator gain	ND
$K_{4RGA}$	Rotor collective governor actuator gain	ND
$RPM_{P_{MAX}}$	Maximum rotor RPM limit	RPM
$K_{RPM}$	Helicopter mode operating RPM ( $\beta_m = 0$ deg)	percent
THOGMX	Governor blade angle limit (maximum)	deg
THOGMN	Governor blade angle limit (minimum)	deg
$\theta_{INT_1}$	Rotor interconnect gear ratio	ND
$K_{PROG}$	Rotor collective governor proportional gain, $= f(\beta_m)$	ND
$K_{INTG}$	Rotor collective governor integral gain, $= f(\beta_m)$	ND

Outputs:

$\theta_{oL/C}$	Left rotor collective pitch input from the left rotor collective governor	deg
$\theta_{oR/C}$	Right rotor collective pitch input from the right rotor collective governor	deg
$RPM_{P_{MIN}}$	Minimum rotor RPM limit	RPM

## EQUATIONS

### SUBSYSTEM NO. 17--ROTOR COLLECTIVE GOVERNOR

NOTE: The described rotor collective governor model is based on the configuration incorporated in the Bell XV-15 and may not be appropriate for other tilt-rotor configurations (depending on mission requirements). Figure A17-1 provides a block diagram for this system.

#### A. RPM Error

System 1:

$$\epsilon_{RPM1} = \left[ \frac{(\Omega_{INT})(9.55)}{\theta_{INT1}} \right] - RPM_{SEL}$$

System 2:

$$\epsilon_{RPM2} = \left[ \frac{(\Omega_{INT})(9.55)}{\theta_{INT1}} \right] - \{XRPM - [XRPM - (K_{RPM})(RPM_{P_{MAX}})](\Delta RPM_{MAX})(\Delta t)\}$$

Where

$$XRPM = \frac{(\Omega_R)(60.0)}{2\pi}$$

and for the XV-15

$$\Delta RPM_{MAX} = 20.0 \text{ RPM/sec}$$

#### B. Electronic Command Signal

System 1:

$$\bar{\theta}_{oCMD1} = \int_{t-\Delta t}^t (K_{INTG})(\epsilon_{RPM1})dt + (K_{PROG})(K_{INTG})(\epsilon_{RPM1})$$

EQUATIONS (CONTINUED)

SUBSYSTEM NO. 17--ROTOR COLLECTIVE GOVERNOR

B. Electronic Command Signal (Concluded)

System 2:

$$\bar{\theta}_{oCMD2} = \int_{t-\Delta t}^t (K_{INTG})(\epsilon_{RPM2})dt + (K_{PROG})(K_{INTG})(\epsilon_{RPM2})$$

Where

$\bar{\theta}_{oCMD1,2}$  are limited such that

$$\theta_{oGMIN} \leq \bar{\theta}_{oCMD1,2} \leq \theta_{oGMAX}$$

C. Governor Actuator Dynamics

1. Rate and Displacement of Flow Control Valve

$$\theta_{ERROR} = \bar{\theta}_{oCMD1,2} - \theta_{oACT}$$

$$P_{RG} = P_{FCP} + P_{LOR}$$

Where limits exist such that

$$|\theta_{ERROR}| \leq \theta_{ERR LIM}$$

$$0 < P_{RG} < 500.0 \text{ psi}$$

$$P_{FCP} = (K_{3RGA}) \left( \dot{\theta}_{oACT} - \dot{\theta}_{FCP} \right) \left( \left| \dot{\theta}_{oACT} - \dot{\theta}_{FCP} \right| \right)$$

EQUATIONS (CONTINUED)

SUBSYSTEM NO. 17--ROTOR COLLECTIVE GOVERNOR

C. Governor Actuator Dynamics (Concluded)

1. Rate and Displacement of Flow Control Valve (Concluded)

$$P_{LOR} = (K_{4RGA}) (\dot{\theta}_{oACT}) \left( \left| \dot{\theta}_{oACT} \right| \right)$$

$$\dot{\theta}_{FCPC} = \dot{\theta}_{oACT} - (K_{2RGA}) \left( \frac{\theta_{FCP}}{|\theta_{FCP}|} \right) (\sqrt{|\theta_{FCP}|})$$

Where

$$\text{If } |\theta_{FCP}| < \theta_{FCPLIM} \text{ or if } \text{sign}(\dot{\theta}_{FCPC}) \neq \text{sign}(\theta_{FCP})$$

Then

$$\dot{\theta}_{FCP} = \dot{\theta}_{FCPC}$$

Otherwise

$$\dot{\theta}_{FCP} = 0.0$$

$$\theta_{FCP} = \int_{t-\Delta t}^t (\dot{\theta}_{FCP}) dt$$

Where limits are such that

$$|\theta_{FCP}| \leq \theta_{FCPLIM}$$

EQUATIONS (CONCLUDED)

SUBSYSTEM NO. 17--ROTOR COLLECTIVE GOVERNOR

2. Rate and Displacement of Actuator

$$\dot{\theta}_{oACT} = (K_{IRGA})(\theta_{ERROR}) \sqrt{1.0 - \left(\frac{P_{RG}}{P_{SRG}}\right) \left(\frac{\theta_{ERROR}}{|\theta_{ERROR}|}\right)}$$

$$\theta_{oACT} = \int_{t-\Delta t}^t (\dot{\theta}_{oACT}) dt$$

Where limits are

$$P_{SRG} \leq 499.0 \text{ psi}$$

$$THOGMN \leq \theta_{oACT} \leq THOGMX$$

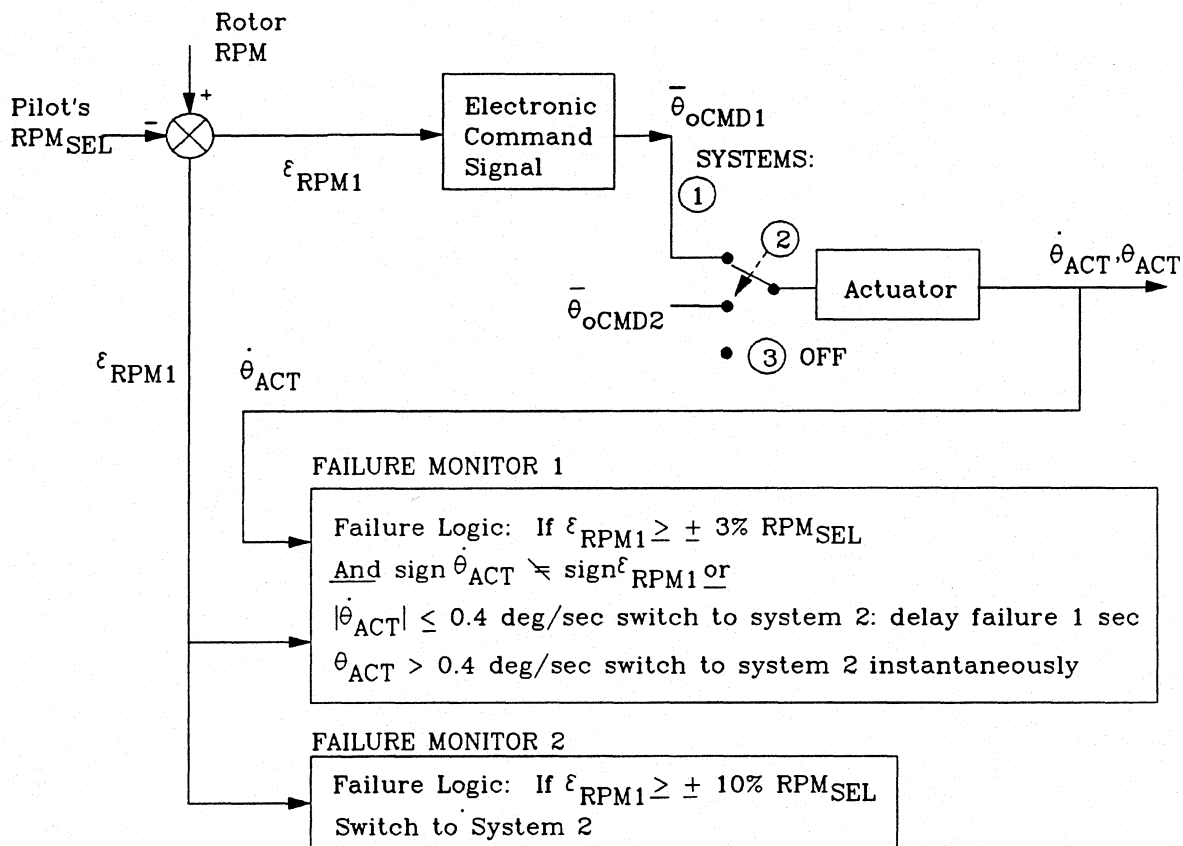
D. Governor Collective Pitch

$$\theta_{oL/G} = \theta_{oR/G} = \theta_{oACT}$$

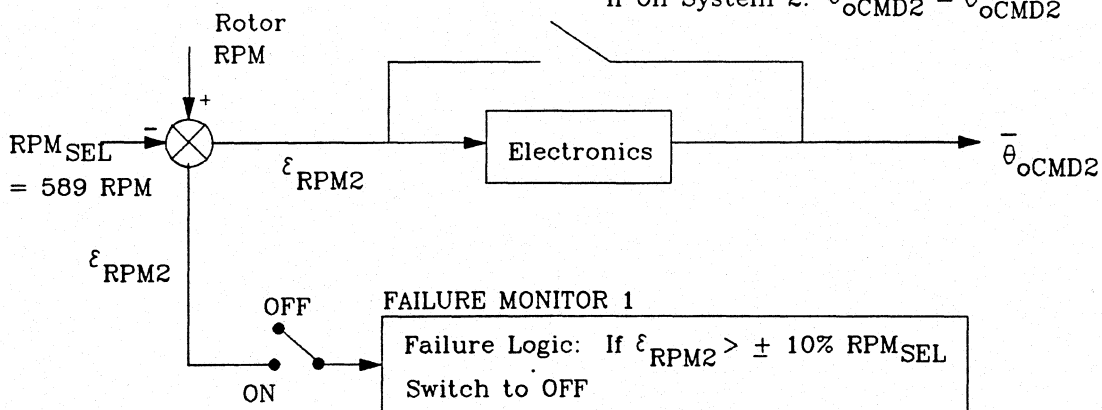
E. Failure Logic

See Figure A17-1

SYSTEM 1 (PRIMARY)



SYSTEM 2 (STANDBY)



Following primary governor failure in switching to System 2, 5 sec ramp is used to get to 589 RPM from the RPM<sub>SEL</sub> at failure.

Figure A17-1. XV-15 Rotor RPM Governor Failure Logic Block Diagram

NOTES ON GOVERNOR FAILURE LOGIC BLOCK DIAGRAM  
(Figure A17-1)

1. Governor disengage switch on collective switches system to OFF.
2. Pilot's RPM select wheel on center console tracks actuator. Three (3) turns equals 38 deg of collective (stops at three turns).
3. With system OFF,  $\theta_{oACT} = \theta_{WHEEL}$
4.  $RPM_{SEL}$  is limited as follows:

$$RPM_{SEL_{MAX}} = 601$$

$$RPM_{SEL_{MIN}} = 433 + (102)(\cos \beta_m)$$

5. RPM at failure is commanded at 20 RPM/sec to 589 RPM which becomes the new  $RPM_{SEL}$ .
6. Following a failure:

$$\dot{\theta}_{oACT}, \dot{\theta}_{FCP}, \theta_{FCP} = 0$$

Reset for standby

18	ENGINES AND FUEL CONTROLS			
Inputs: Variables		Outputs:		
<u>From Subsystem</u>	<u>Symbol</u>	<u>To Subsystem</u>	<u>Symbol</u>	
8a	$X_{THR}$	16, 19	$Q_{RPT}$	
	$X_{THL}$		$Q_{LPT}$	
10f	$h_{CG}$	13, 14	$(X, Z)_{JTR}$	
12	$V_T$		$(X, Z)_{JTL}$	
15	$P_a$			
	$T_a$			
10f	$P_{ALT}$			
19	$\Omega_{RPT}$			
	$\Omega_{LPT}$			
8a	$\beta_m$			

Inputs: Constants, Coefficients, and Data Tables	
<b>Constants:</b>	$P_o, T_o, RPME, SHP_{ACC}, \eta_{XMSN}$
<b>Coefficients:</b>	$K_1 \rightarrow K_7, K_{11} \rightarrow K_{15}, K_{18}, \Delta\epsilon_p, \Delta\epsilon_s,$
	$T_D, pctm_{xs}, pctm_{xp}, RPM_{NII}, X_{EK}$

(Concluded on next page)



Inputs: Constants, Coefficients, and Data Tables (Concluded)

Data Tables

$$RSHP = f(X_{THR})$$

Table 18-I

$$K_{RAM} = \frac{RSHP}{RSHP_{V=0}} = f(V_T)$$

Table 18-II

$$DSHPDT = \frac{dHP_{ROT}}{dt} = f(HP_{ENG}, P_{ALT})$$

Table 18-III

$$K_{JT1} = f(V_T)$$

Table 18-IV

$$K_{JT2} = f(V_T)$$

Table 18-IV

SUBSYSTEM NO. 18: ENGINES AND FUEL CONTROLS

Inputs: Variables

Symbol	Description	Units
$X_{THR}$	Right engine throttle position at the fuel control	deg
$X_{THL}$	Left engine throttle position at the fuel control	deg
$h_{CG}$	Altitude of aircraft	ft
$V_T$	Total linear velocity of the aircraft c.g. with respect to air	ft/sec
$P_a$	Ambient absolute pressure	lb/ft <sup>2</sup>
$T_a$	Ambient absolute temperature	deg K
$P_{ALT}$	Pressure attitude	ft
$\Omega_{RPT}$	Right engine power turbine speed	rad/sec
$\Omega_{LPT}$	Left engine power turbine speed	rad/sec
$\beta_m$	Mast conversion angle (+ fwd, 0 deg = vertical or helicopter, 90 deg = horizontal or airplane)	deg

Inputs: Constants, Coefficients, and Data Tables

$P_o$	Sea level standard atmospheric pressure	lb/in <sup>2</sup>
$T_o$	Absolute sea level standard temperature	deg K
RPME	100 percent engine power turbine speed multiplier	ND

SUBSYSTEM NO. 18: ENGINES AND FUEL CONTROLS (CONTINUED)

Inputs: Constants, Coefficients, and Data Tables (Continued)

Symbol	Description	Units
$SHP_{ACC}$	Engine accessory power loss	SHP
$\eta_{XMSN}$	Transmission efficiency	ND
$K_1$	Engine shaft horsepower equation coefficient	ND
$K_2$	Engine shaft horsepower equation coefficient	ND
$K_3$	Engine shaft horsepower equation coefficient	ND
$K_4$	Engine shaft horsepower equation coefficient	RPM
$K_5$	Engine shaft horsepower equation coefficient	RPM/ $\sqrt{HP}$
$K_6$	Engine shaft horsepower equation coefficient	HP
$K_7$	Engine shaft horsepower equation coefficient	deg K
$K_{11}$	Engine throttle control coefficient	1/deg K
$K_{12}$	Engine throttle control coefficient	1/deg
$K_{13}$	Engine throttle control coefficient	1/deg <sup>2</sup>
$K_{14}$	Engine throttle control coefficient	deg
$K_{15}$	Engine throttle control coefficient	1/kts
$K_{18}$	Engine rating (limit output)	SHP

SUBSYSTEM NO. 18: ENGINES AND FUEL CONTROLS (CONTINUED)

Inputs: Constants, Coefficients, and Data Tables (Concluded)

Symbol	Description	Units
$\Delta\epsilon_p$	Commanded throttle position error threshold	ND
$\Delta\epsilon_s$	Power turbine RPM error threshold	ND
$T_D$	Engine throttle and power turbine response delay time	sec
pctmxs	Commanded power turbine speed at which the acceleration ceases to follow the maximum acceleration curve	percent
pctmxp	Commanded power at which the acceleration ceases to follow the maximum acceleration curve	percent
$RPM_{N_{II}}$	Engine $N_{II}$ RPM	rad/sec
$X_{EK}$	Right (K=1) or left (K=2) engine operating flag	ND
RSHP	Commanded (throttle) referred optimum SHP on one engine, = $f(X_{THR})$	SHP
$K_{RAM}$	Ram effect equation coefficient, $f(V_T)$	ND
DSHPDT	Rate of change of engine power, = $f(HP_{ENG}, P_{ALT})$	SHP/sec
$K_{JT1}$	Jet thrust coefficient, = $f(V_T)$	lb
$K_{JT2}$	Jet thrust coefficient, = $f(V_T)$	lb/SHP

SUBSYSTEM NO. 18: ENGINES AND FUEL CONTROLS (CONCLUDED)

Outputs:

Symbol	Description	Units
$Q_{RPT}$	Right engine power turbine torque	ft-lb
$Q_{LPT}$	Left engine power turbine torque	ft-lb
$(X,Z)_{JTR}$	Right engine jet thrust forces, body axis	lb
$(X,Z)_{JTL}$	Left engine jet thrust forces, body axis	lb

(Text of numbered notes is provided on the last page of the figure)  
Note 1: Initialization

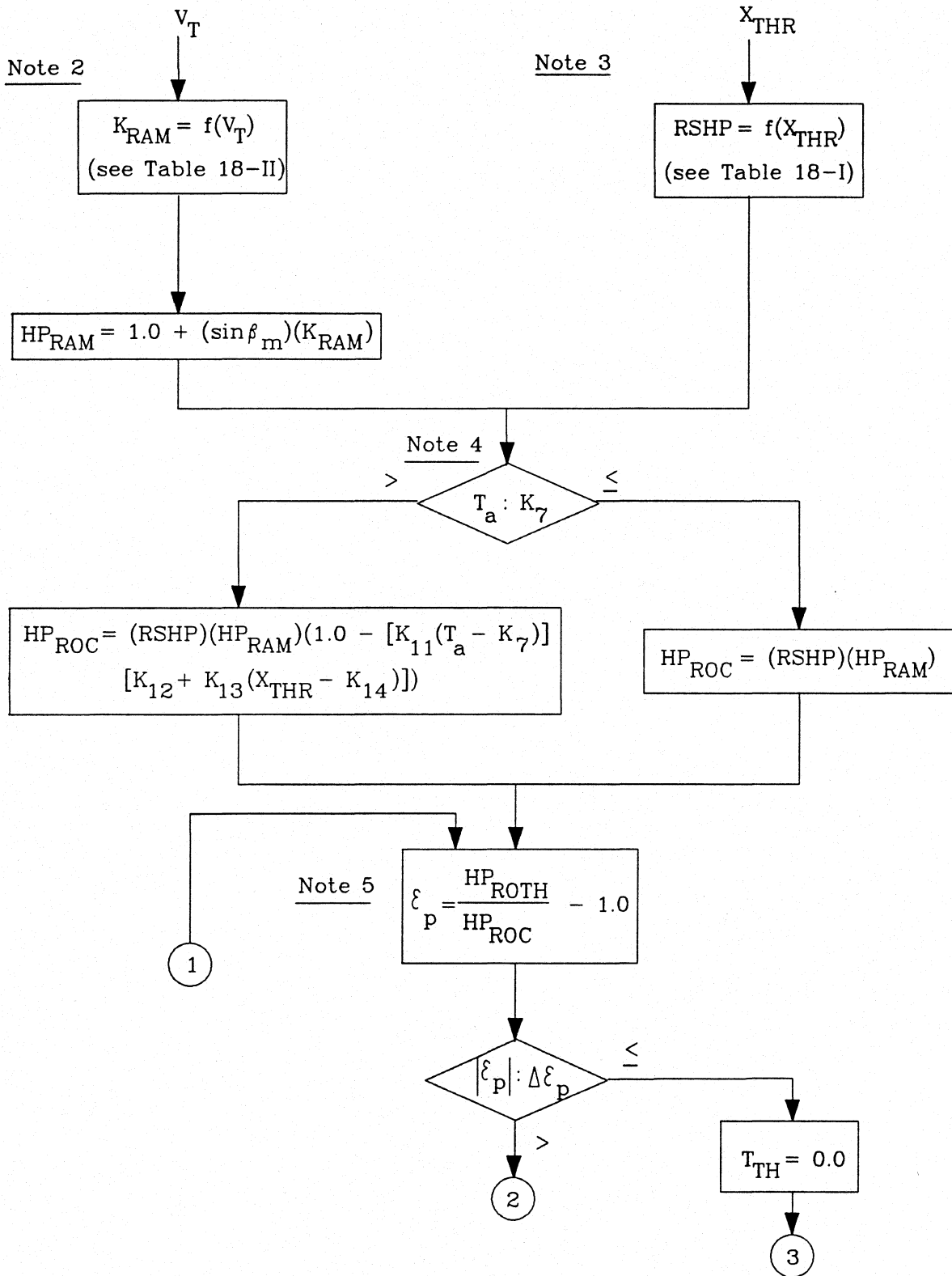


Figure A18-1. Engine Model Block Diagram

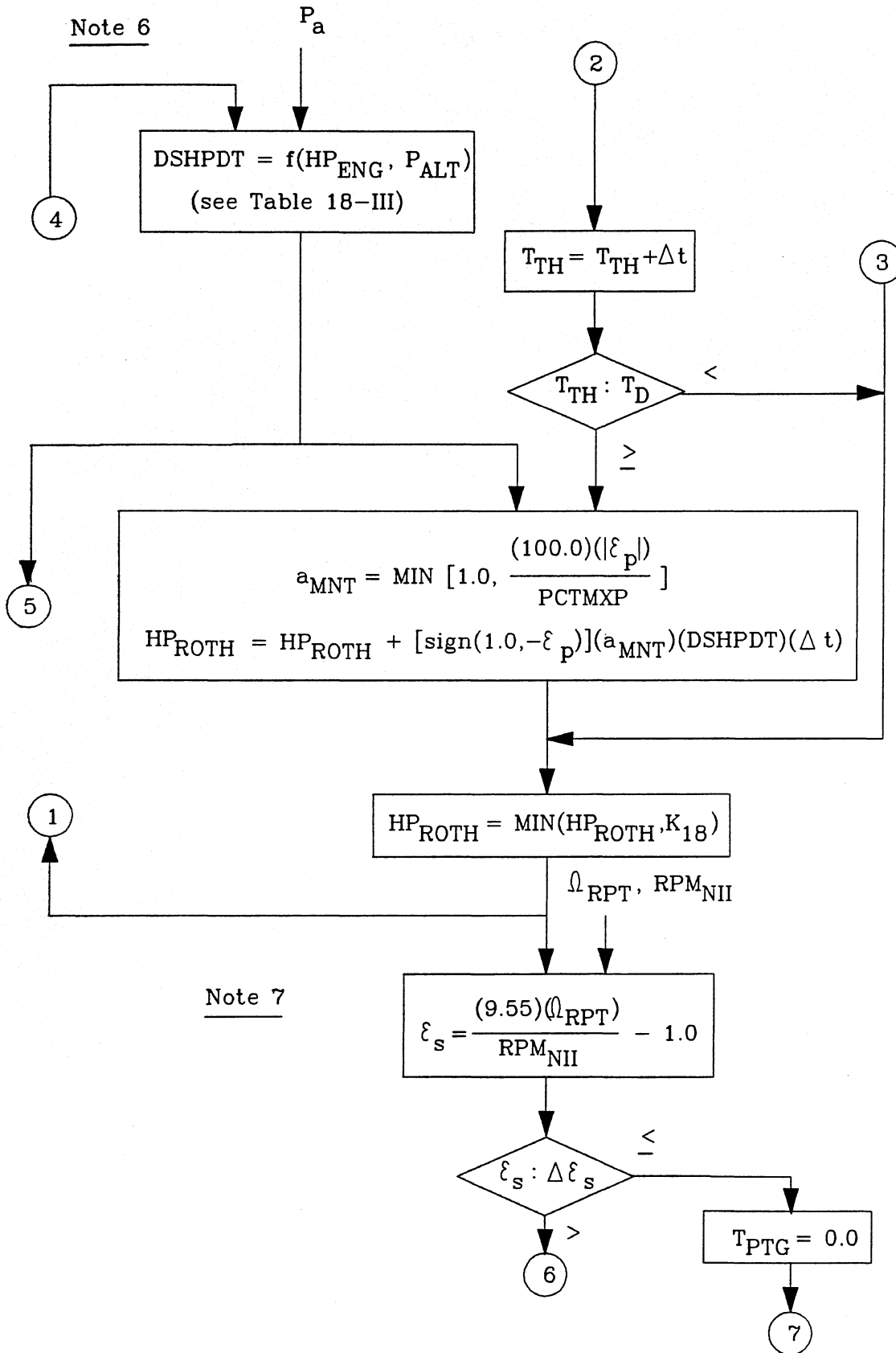


Figure A18-1 (Continued)

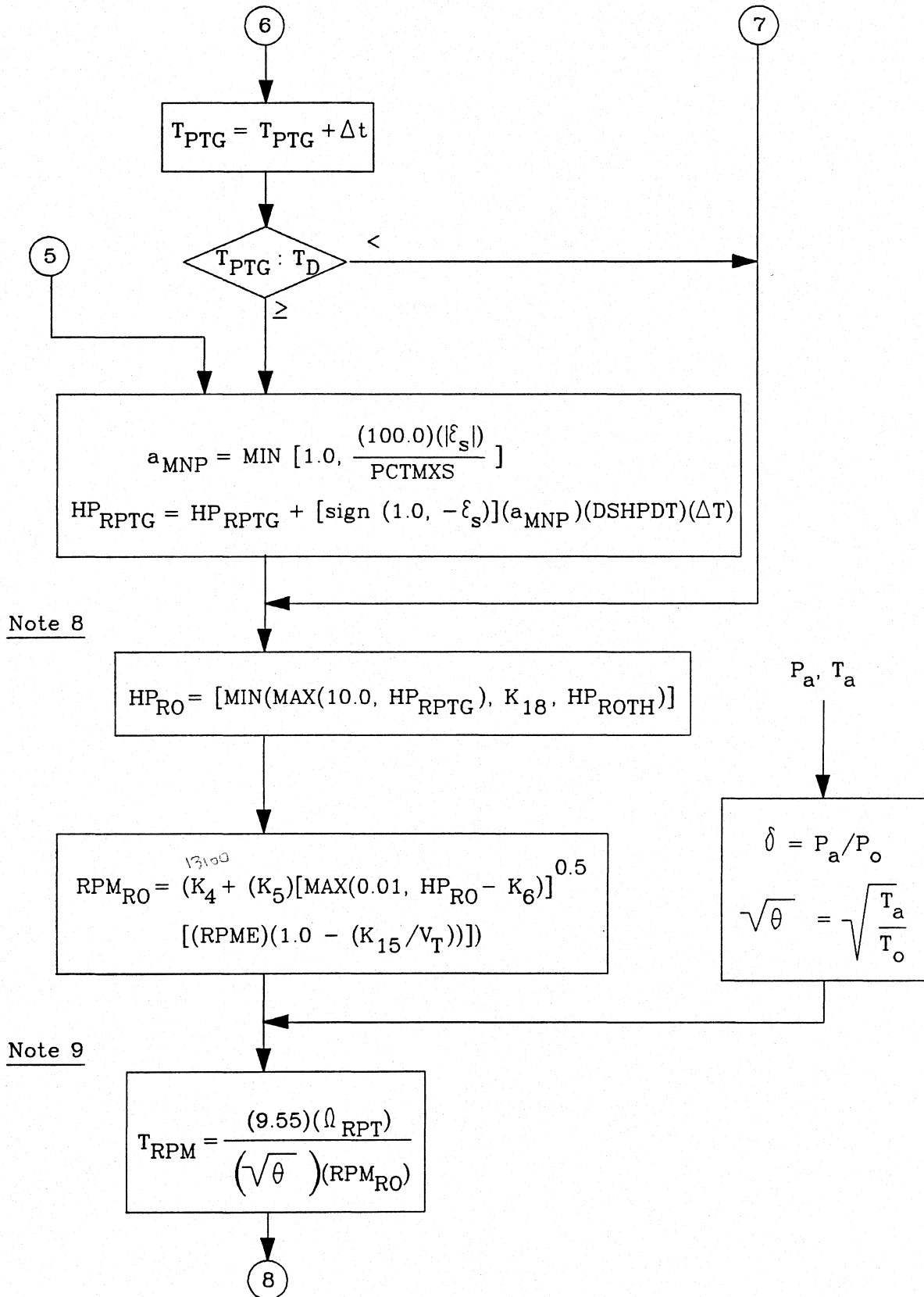


Figure A18-1 (Continued)



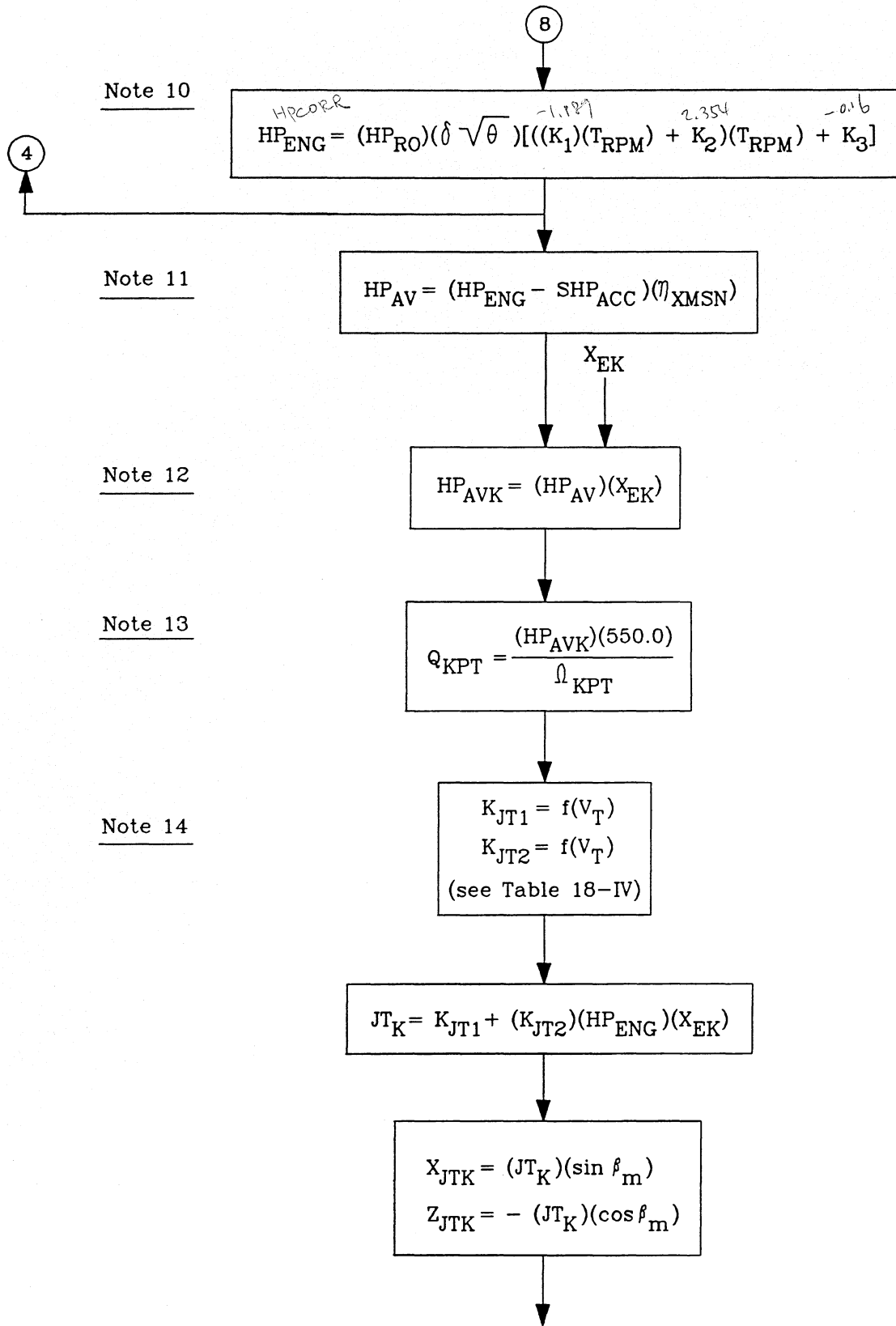


Figure A18-1 (Concluded)

## NOTES FOR FIGURE A18-1

1. Upon initialization of program, set  $HP_{RO} = HP_{ROC} = HP_{ROTH} = HP_{RPTG}$ .
2. Engine RAM effect (data table input by user).
3. Commanded engine horsepower as a function of throttle position (data table input by user).
4. Commanded engine horsepower as modified by ambient temperature and RAM effects.
5. Engine throttle response model: the capability is included to provide a fixed time delay in the throttle response if a threshold of 0.2 percent change occurs in the throttle position. Limits are also provided in the model on the rate of the throttle response and the maximum commanded position (or power output).  $\Delta t$  represents the simulation cycle time.
6. The maximum engine power turbine acceleration/deceleration profile is a user input data table which is a function of pressure altitude and engine power output.  $\Delta t$  represents the simulation cycle time.
7. Engine power turbine NII governor model: this model regulates the engine power turbine speed using the same type of time delay and limiting features as provided in the throttle response model. (Note: for the XV-15, this model should be modified to act only as an overspeed governor if 104 percent RPM is exceeded.)
8. Optimum engine power (prior to RPM and atmospheric effect corrections).
9. Application of off-optimum RPM and atmospheric corrections to the value of optimum engine power.
10. Calculation of engine power available.
11. Calculation of available power following corrections for transmission efficiency and accessory power losses.
12. Flag check to identify if any engines are shut down. 'K' equals 'L' for the left engine and 'R' for the right engine.

NOTES FOR FIGURE A18-1 (CONCLUDED)

13. Calculation of right and left engine torques which are used in the drive system mathematical model (Subsystem 19).
14. Jet thrust calculations: jet thrust is calculated from user input data tables as a function of airspeed (for the desired engine type). The output jet thrust components in body axis are set to zero if the engine 'K' flag is set in the shut down engine position.

19	DRIVE SYSTEM DYNAMICS			
Inputs: Variables		Outputs:		
<u>From Subsystem</u>	<u>Symbol</u>	<u>To Subsystem</u>	<u>Symbol</u>	
1	$Q_R$ $Q_L$	1, 16, 17	$\Omega_R$ $\Omega_L$	
18	$Q_{RPT}$ $Q_{LPT}$	16, 17	$\Omega_{INT}$	
8d	$RPM_{SEL}$	16, 18	$\Omega_{RPT}$ $\Omega_{LPT}$	
Inputs: Constants, Coefficients, and Data Tables				
Constants:	$I_1, \theta_{RPT1}, \theta_{INT1}$			
Coefficients:	None			
Data Tables:	None			

SUBSYSTEM NO. 19: DRIVE SYSTEM DYNAMICS

Inputs: Variables

Symbol	Description	Units
$Q_R$	Mast axis right rotor torque (+ trying to slow rotor down)	ft-lb
$Q_L$	Mast axis left rotor torque (+ trying to slow rotor down)	ft-lb
$Q_{RPT}$	Right engine power turbine torque	ft-lb
$Q_{LPT}$	Left engine power turbine torque	ft-lb
$RPM_{SEL}$	Pilot's commanded operating rotor speed	RPM

Inputs: Constants, Coefficients, and Data Tables

$I_1$	Drive system inertia	slug-ft <sup>2</sup>
$\theta_{RPT_1}$	Rotor turbine gear ratio	ND
$\theta_{INT_1}$	Rotor interconnect gear ratio	ND

Outputs:

$\Omega_R$	Instantaneous right rotor speed	rad/sec
$\Omega_L$	Instantaneous left rotor speed	rad/sec
$\Omega_{INT}$	Interconnect drive shaft speed	rad/sec
$\Omega_{RPT}$	Right engine power turbine speed	rad/sec
$\Omega_{LPT}$	Left engine power turbine speed	rad/sec

## EQUATIONS

### SUBSYSTEM NO. 19--DRIVE SYSTEM DYNAMICS

#### A. Summation of Torques at Drive Shaft and Angular Acceleration

$$F_1 = -(Q_R + Q_L) + (\theta_{RPT1})(Q_{RPT} + Q_{LPT})$$

$$\ddot{\xi} = \frac{F_1}{I_1}$$

#### B. Rotor Speed

$$\dot{\xi} = \dot{\xi}_{t-\Delta t} + \int_{t-\Delta t}^t (0.7\ddot{\xi} + 0.3\ddot{\xi}_{t-1}) dt$$

where, for simulation, PV stands for past value in the equation

$$\dot{\xi} = \dot{\xi}_{PV} + (\Delta t)(0.7\ddot{\xi} + 0.3\ddot{\xi}_{PV})$$

$$\Omega_R = \Omega_{RO} + \dot{\xi}$$

$$\Omega_L = \Omega_R$$

where  $\Omega_{RO}$ , the initial rotor reference rpm, is usually equal to

$$\Omega_{RO} = \frac{(\text{RPM}_{SEL})(2\pi)}{60.0}$$

where the pilot's selected operating rotor speed is in actuality the rotor reference RPM.

EQUATIONS (CONCLUDED)

SUBSYSTEM NO. 19--DRIVE SYSTEM DYNAMICS

C. Power Turbine and Interconnect Shaft Angular Velocity

$$\Omega_{RPT} = (\Omega_R)(\theta_{RPT_1})$$

$$\Omega_{LPT} = \Omega_{RPT}$$

$$\Omega_{INT} = (\Omega_R)(\theta_{INT_1})$$

20		STABILITY AND CONTROL AUGMENTATION SYSTEM			
Inputs: Variables			Outputs:		
<u>From Subsystem</u>	<u>Symbol</u>	<u>To Subsystem</u>	<u>Symbol</u>		
8a	$\beta_m$	8a	PSCAS		
			RSCAS		
8d	$X_{LN}$		YSCAS		
	$X_{LT}$				
	$X_{PD}$				
	ISCRLS				
	IQDAMP				
	IPDAMP				
	IRDAMP				
	IPCH				
	IRCH				
	IFAH				
	ISCENG				
11	p				
	q				
	r				
10c	$\psi$				
	$\theta$				
	$\phi$				

(Concluded on next page)



Inputs: Constants, Coefficients, and Data Tables

Constants:  $X_{LNN}, X_{LTN}, X_{PDN}, K_{1P} \rightarrow K_{7P}, \tau_{1P} \rightarrow \tau_{6P},$   
 $\tau_q, K_{1Y} \rightarrow K_{3Y}, \tau_{1Y} \rightarrow \tau_{2Y}, K_{1R} \rightarrow K_{7R},$   
 $\tau_{1R} \rightarrow \tau_{5R}, \tau_p, PSCAS_{MX}, RSCAS_{MX}, YSCAS_{MX}$   
 $P_{HOLD_{MAX}}, R_{HOLD_{MAX}}$

Coefficients: None

Data Tables: None

SUBSYSTEM NO. 20: STABILITY AND CONTROL AUGMENTATION SYSTEM

Inputs: Variables

Symbol	Description	Units
$\beta_m$	Mast conversion angle (+ fwd, 0 deg = vertical or helicopter, 90 deg = horizontal or airplane)	deg
$X_{LN}$	Longitudinal stick position, inches from full aft	in
$X_{LT}$	Lateral stick position, inches from full left	in
$X_{PD}$	Pedal position, inches from full left	in
ISCRLS	SCAS release switch	ND
IQDAMP	Pitch SCAS ON/OFF switch	ND
IPDAMP	Roll SCAS ON/OFF switch	ND
IRDAMP	Yaw SCAS ON/OFF switch	ND
IPCH	Pitch channel switch (Channel 1, 2, both)	ND
IRCH	Roll channel switch (Channel 1, 2, both)	ND
IFAH	Attitude retention ON/OFF switch	ND
ISCENG	SCAS engage switch	ND
p	Body axis roll rate	rad/sec
q	Body axis pitch rate	rad/sec
r	Body axis yaw rate	rad/sec
$\theta$	Euler pitch angle	rad
$\phi$	Euler roll angle	rad
$\psi$	Euler yaw angle	rad

SUBSYSTEM NO. 20: STABILITY AND CONTROL AUGMENTATION SYSTEM (CONTINUED)

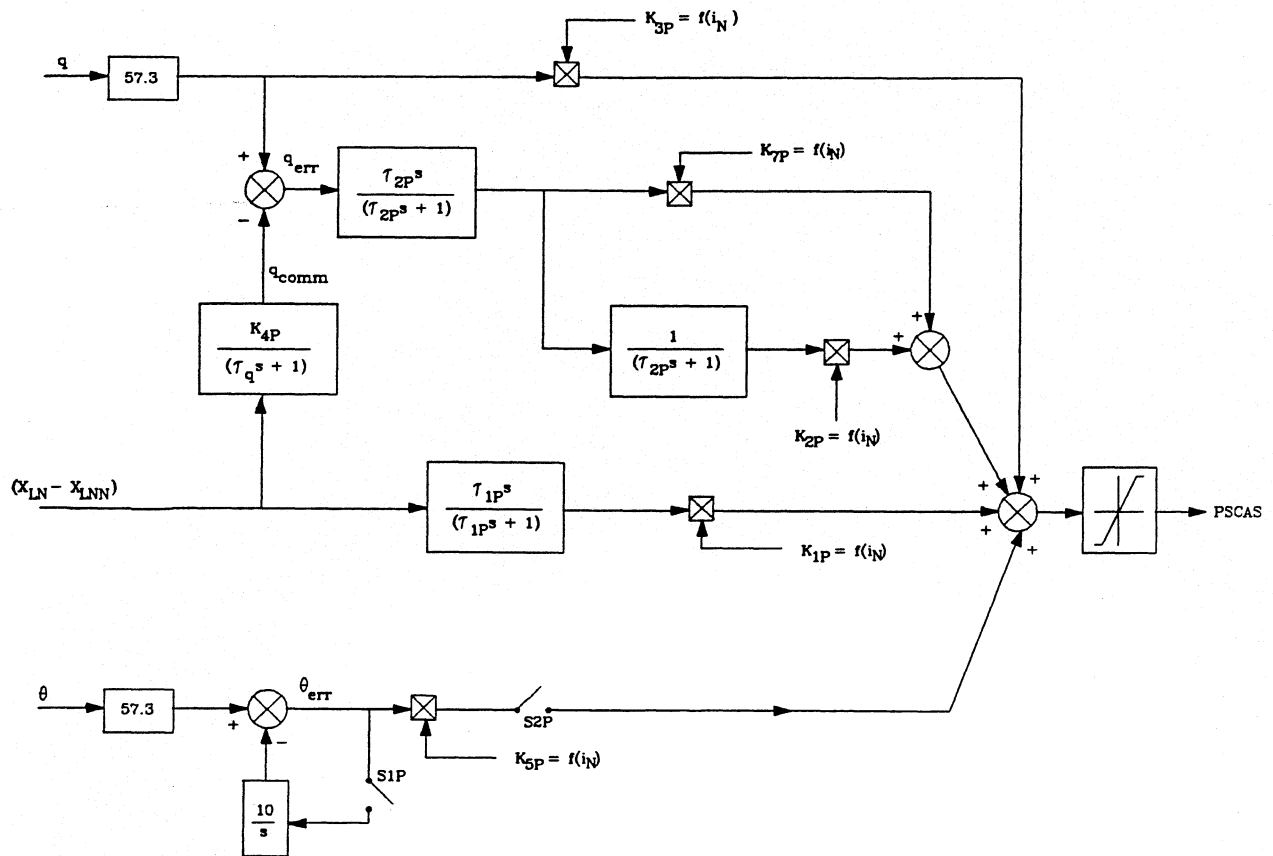
Inputs: Constants, Coefficients, and Data Tables

Symbol	Description	Units
$X_{LNN}$	Longitudinal stick neutral position	in
$X_{LTN}$	Lateral stick neutral position	in
$X_{PDN}$	Pedal neutral position	in
$K_{1P} \rightarrow K_{7P}$	Pitch SCAS gains	See App. B
$\tau_{1P} \rightarrow \tau_{6P}, \tau_q$	Pitch SCAS time constants	sec
$K_{1Y} \rightarrow K_{3Y}$	Yaw SCAS gains	See App. B
$\tau_{1Y} \rightarrow \tau_{2Y}$	Yaw SCAS time constants	sec
$K_{1R} \rightarrow K_{7R}$	Roll SCAS gains	See App. B
$\tau_{1R} \rightarrow \tau_{5R}, \tau_q$	Roll SCAS time constants	sec
$PSCAS_{MX}$	Pitch (elevator) SCAS actuator limit	in
$RSCAS_{MX}$	Roll (aileron) SCAS actuator limit	in
$YSCAS_{MX}$	Yaw (rudder) SCAS actuator limit	in
$P_{HOLD_{MAX}}$	Pitch attitude hold limit	in
$R_{HOLD_{MAX}}$	Roll attitude hold limit	in

SUBSYSTEM NO. 20: STABILITY AND CONTROL AUGMENTATION SYSTEM (CONCLUDED)

Outputs:

<u>Symbol</u>	<u>Description</u>	<u>Units</u>
PSCAS	Pitch (elevator) SCAS output	in
RSCAS	Roll (aileron) SCAS output	in
YSCAS	Yaw (rudder) SCAS output	in



- NOTES: 1.  $i_N = (90 - \beta_m)$   
 2. Gains scheduled as  $f(\beta_m)$  in form  

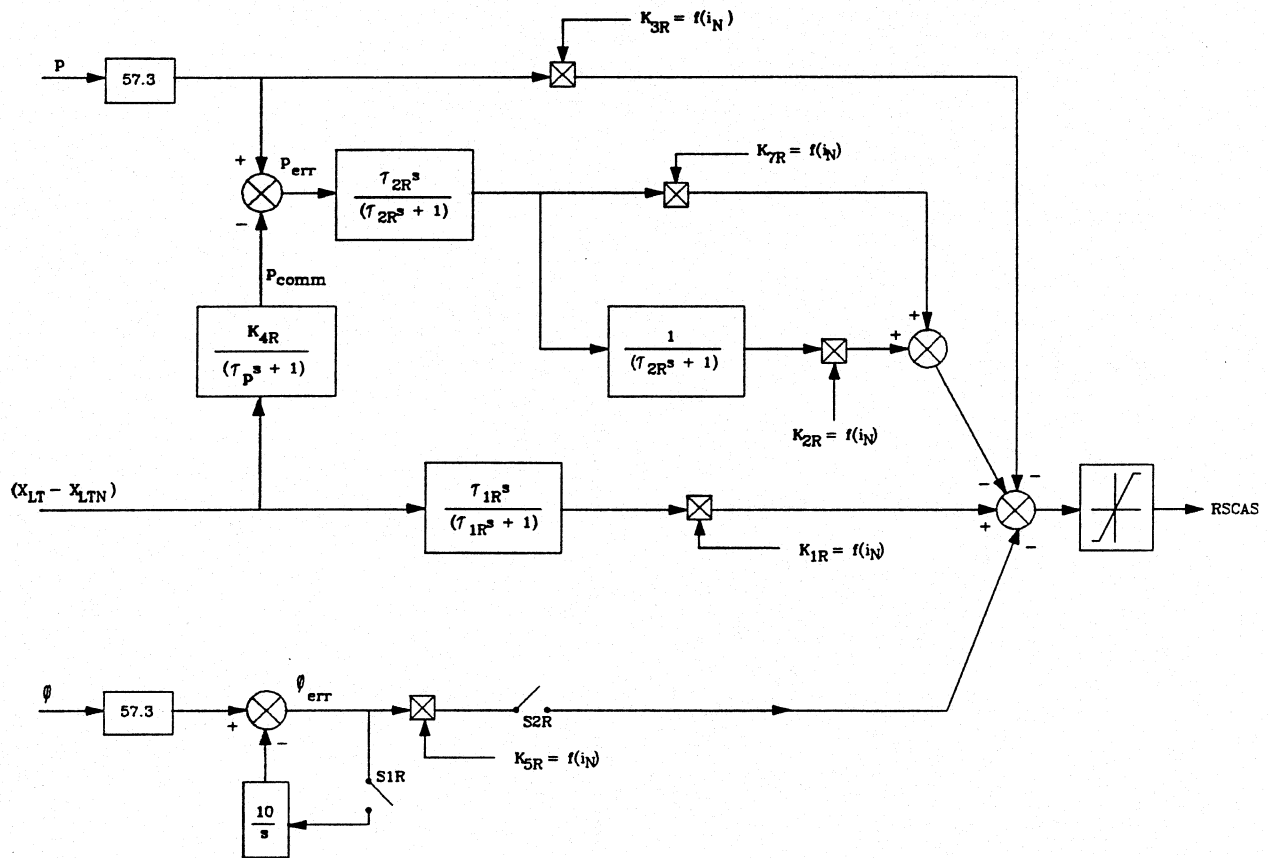
$$K_{XP} = (K_{XP})_{\beta_m=90} + [(K_{XP})_{\beta_m=0} - (K_{XP})_{\beta_m=90}] (\cos \beta_m)$$
  
 3. Limit on the output PSCAS is:  $\pm PSCAS_{MX}$

Attitude Mode Switching

Retention Mode	OFF	ON	
		in det.	out det.
S1P	C	0	C
S2P	0	C	C

Command Mode	OFF	ON
	S1P	C
S2P	0	C

Figure A20-1. Modified XV-15 Pitch SCAS Block Diagram (S/N 703)



- NOTES: 1.  $i_N = (90 - \beta_m)$   
 2. Gains scheduled as  $f(\beta_m)$  in form  

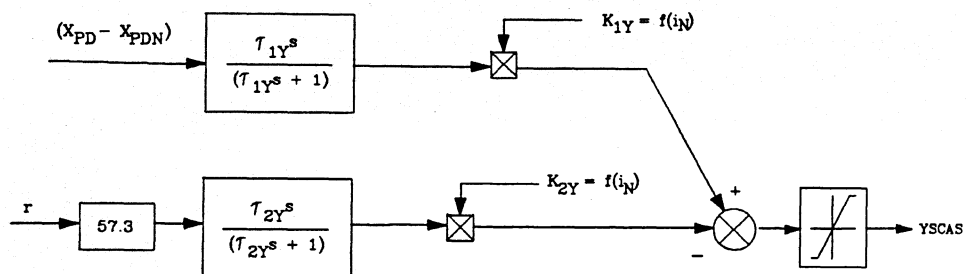
$$K_{XR} = (K_{XR})_{\beta_m - 90} + [(K_{XR})_{\beta_m - 0} - (K_{XR})_{\beta_m - 90}] (\cos \beta_m)$$
  
 3. Limit on the output RSCAS is:  $\pm RSCAS_{MX}$

Attitude Mode Switching

Retention Mode		OFF	ON	
			in det.	out det.
S1P	C	0	C	
S2P	0	C	C	

Command Mode		OFF	ON
S1P	C	0	
S2P	0	C	

Figure A20-2. Modified XV-15 Roll SCAS Block Diagram (S/N 703)



NOTES:

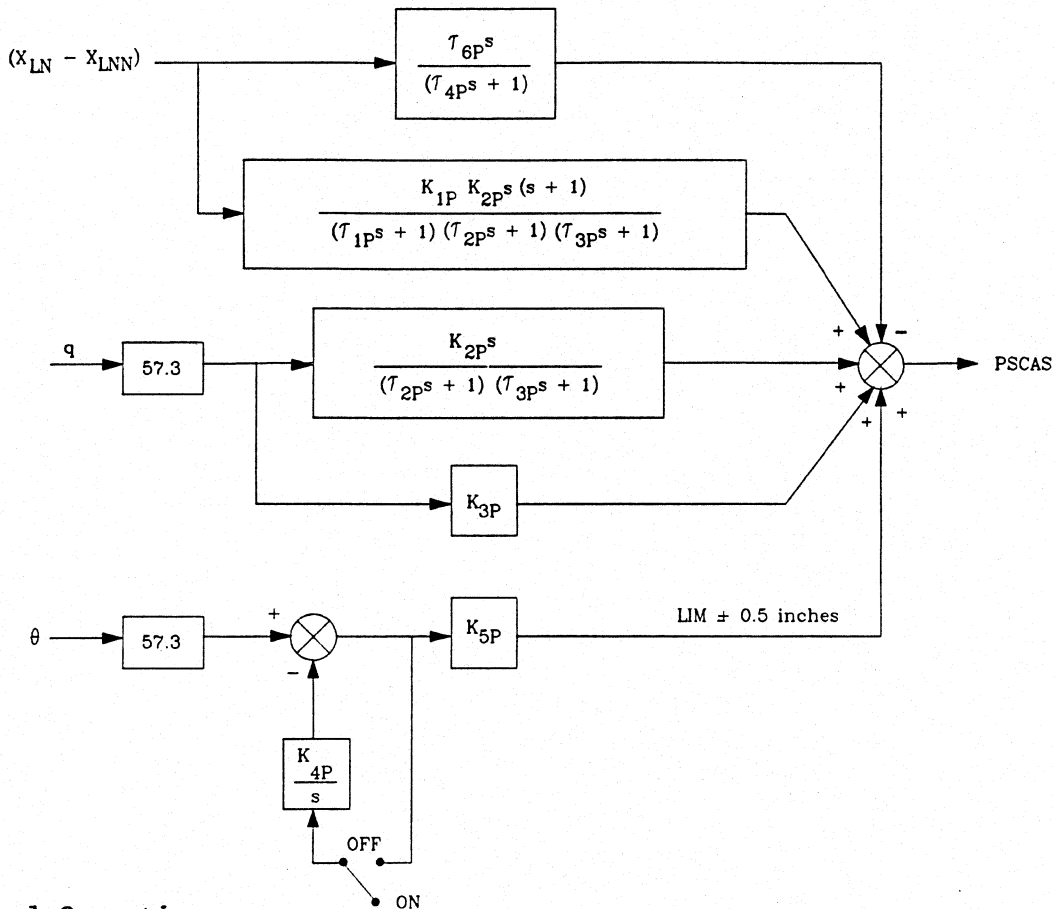
1.  $i_N = (90 - \beta_m)$

2. Gains scheduled as  $f(\beta_m)$  in form

$$K_{XY} = (K_{XY})_{\beta_m - 90} + [(K_{XY})_{\beta_m - 0} - (K_{XY})_{\beta_m - 90}] (\cos \beta_m)$$

3. Limit on the output YSCAS is:  $\pm YSCAS_{MX}$

Figure A20-3. Modified XV-15 Yaw SCAS Block Diagram  
(S/N 703)



1. Normal Operation

$$PSCAS(1) = 1/2 [\text{sign}(PSCAS)][\min(PSCAS_{MX}, |PSCAS|)]$$

$$PSCAS(2) = PSCAS(1)$$

$$PSCAS = PSCAS(1) + PSCAS(2)$$

2. Hardover

$$PSCAS(2) = 1/2 PSCAS_{MX}$$

3. Open Feedback Loop

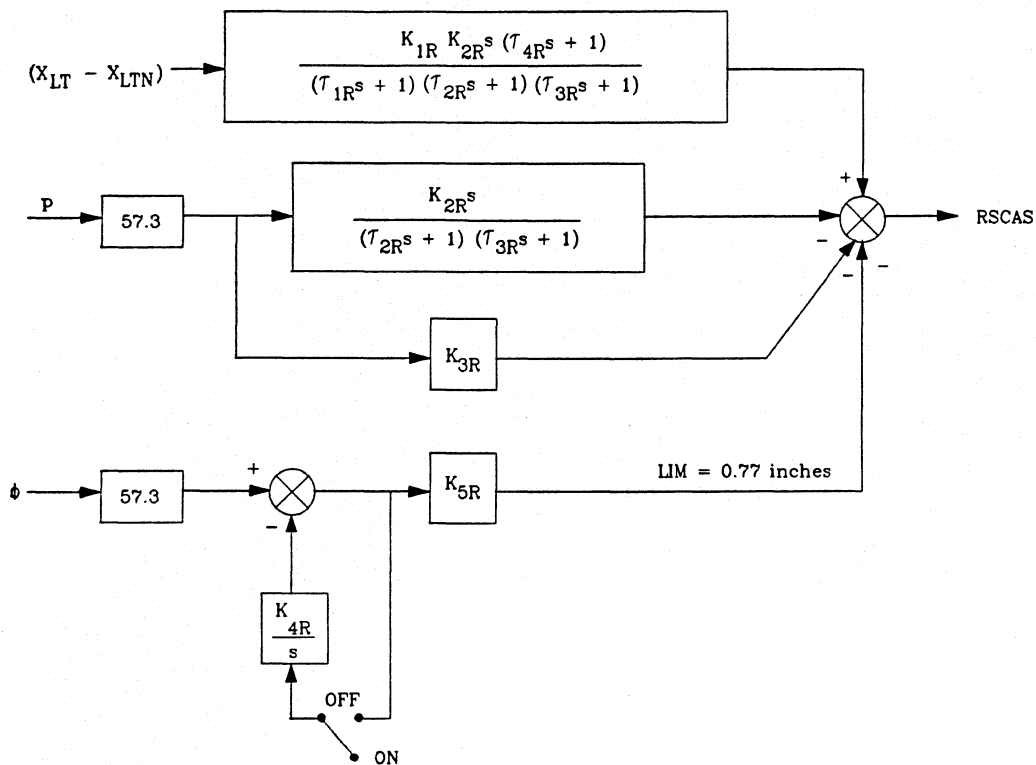
$$PSCAS(2) = 1/2 [\text{sign}(PSCAS)](PSCAS_{MX})$$

4. Attitude Hold is OFF if:

- a.  $|F_{XLN}| \leq 1.0$  lb or
- b. ATT RETN switch on SCAS panel is "OFF"
- c. Channel select switch is not at "BOTH"
- d.  $PSCAS(1) \neq PSCAS(2) \pm 20\%$

Figure A20-4. Bell XV-15 Pitch Axis SCAS Block Diagram (S/N 702)





1. Normal Operation

$$RSCAS(1) = 1/2 [\text{sign}(RSCAS)][\min(RSCAS_{MX}) - |RSCAS|]$$

$$RSCAS(2) = RSCAS(1)$$

$$RSCAS = RSCAS(1) + RSCAS(2)$$

2. Hardover

$$RSCAS(2) = 1/2 RSCAS_{MX}$$

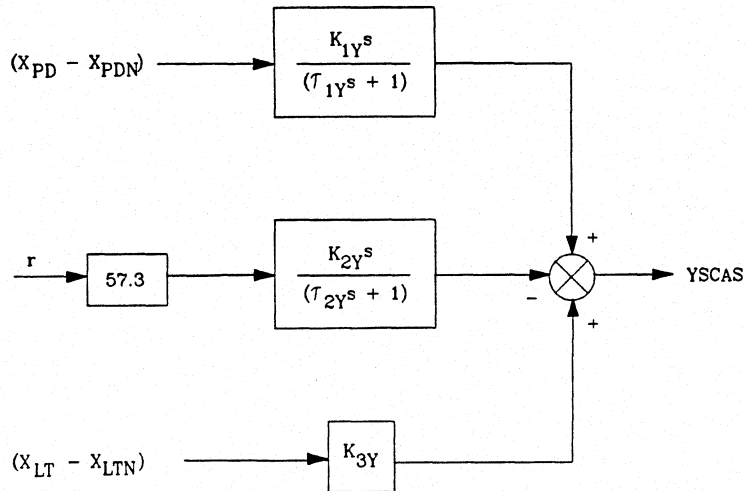
3. Open Feedback Loop

$$RSCAS(2) = 1/2 [\text{sign}(RSCAS)](RSCAS_{MX})$$

4. Attitude Hold is OFF if:

- a.  $|F_{XLT}| \leq 0.5$  or
- b. ATT RETN switch on SCAS panel is "OFF"
- c. Channel select switch is not at "BOTH"
- d.  $RSCAS(1) \neq RSCAS(2) * 20\%$

Figure A20-5. Bell XV-15 Roll Axis SCAS Block Diagram (S/N 702)



1. Normal Operation

$$YSCAS = [\text{sign}(YSCAS)][\min(YSCAS_{MX}, |YSCAS|)]$$

2. Hardover

$$YSCAS = YSCAS_{MX}$$

3. Open Feedback Loop

$$YSCAS = [\text{sign}(YSCAS)](YSCAS_{MX})$$

Figure A20-6. Bell XV-15 Yaw Axis SCAS Block Diagram  
(S/N 702)

**APPENDIX B**

**INPUT DATA ARRAY FOR THE XV-15  
TILT-ROTOR RESEARCH AIRCRAFT**

**APPENDIX B**

**TABLE OF CONTENTS**

	<b>Page</b>
Table I. XV-15 CG and Inertia Data .....	B-11
Table II. General XV-15 Design Data .....	B-12
<b>Subsystem No. 1--XV-15 Rotor Aerodynamics</b>	
Constants .....	B-16
Coefficients .....	B-17
<b>Data Tables</b>	
Table 1-I, Maximum Available Rotor Thrust	
Coefficient, $\bar{C}_T = f(\mu, \beta_m)$ .....	B-18
Table 1-II, Sideward Flight Rotor Correction	
Factor, $X_{SF} = f( \bar{V} )$ .....	B-19
Table 1-III, Side-by-Side Rotor Correction	
Factor, $X_{SS} = f( \mu )$ .....	B-20
<b>Subsystem No. 2--XV-15 Rotor Induced Velocities</b>	
Constants .....	B-21
Coefficients .....	B-21
<b>Data Tables</b>	
Table 2-Ia, Rotor Wake on Horizontal Stabilizer,	
$(W_1 _{R/H})/W_1, \beta_m = 0 \text{ deg}$ .....	B-22
Table 2-Ib, Rotor Wake on Horizontal Stabilizer,	
$(W_1 _{R/H})/W_1, \beta_m = 15 \text{ deg}$ .....	B-23
Table 2-Ic, Rotor Wake on Horizontal Stabilizer,	
$(W_1 _{R/H})/W_1, \beta_m = 30 \text{ deg}$ .....	B-24
Table 2-Id, Rotor Wake on Horizontal Stabilizer,	
$(W_1 _{R/H})/W_1, \beta_m = 60, 90 \text{ deg}$ .....	B-24
Table 2-II, Rotor Wake on Horizontal Stabilizer, $K_{H\beta}$ ...	B-25

**TABLE OF CONTENTS (Continued)**

	Page
<b>Subsystem No. 3--XV-15 Fuselage Aerodynamics</b>	
Constants .....	B-26
Data Tables	
Table 3-I, Fuselage Lift with Angle of Attack, $L_\alpha$ .....	B-26
Table 3-II, Fuselage Lift with Sideslip, $L_\beta$ .....	B-28
Table 3-III, Fuselage Drag with Angle of Attack, $D_\alpha$ .....	B-26
Table 3-IV, Fuselage Drag with Sideslip, $D_\beta$ .....	B-28
Table 3-V, Fuselage Pitching Moment with Angle of Attack, $M_\alpha$ .....	B-26
Table 3-VI, Fuselage Pitching Moment with Sideslip, $M_\beta$ .....	B-28
Table 3-VII, Fuselage Side Force with Sideslip, $Y_\beta$ .....	B-30
Table 3-VIII, Fuselage Rolling Moment with Sideslip, $l_\beta$ .....	B-30
Table 3-IX, Fuselage Yawing Moment with Sideslip, $N_\beta$ .....	B-30
 <b>Subsystem No. 4--XV-15 Wing-Pylon Aerodynamics</b>	
Constants .....	B-31
Coefficients .....	B-31
Data Tables	
Table 4-I, XV-15 Wing-Pylon Lift Coefficient ( $C_{L_{WP}}$ ), Flap Setting, $X_{FL1} = 0/0$ .....	B-34
Table 4-II, XV-15 Wing-Pylon Lift Coefficient ( $C_{L_{WP}}$ ), Flap Setting, $X_{FL2} = 20/12.5$ , $X_{FL3} = 40/25$ , $X_{FL4} = 75/47$ .....	B-36
Table 4-III, XV-15 Wing-Pylon Drag Coefficient ( $C_{D_{WP}}$ ), Flap Setting, $X_{FL1} = 0/0$ .....	B-40
Table 4-IV, XV-15 Wing-Pylon Drag Coefficient ( $C_{D_{WP}}$ ), Flap Setting, $X_{FL2} = 20/12.5$ , $X_{FL3} = 40/25$ , $X_{FL4} = 75/47$ .....	B-41

**TABLE OF CONTENTS (Continued)**

	Page
Table 4-V(a), XV-15 Wing Wake Deflection on Horizontal Stabilizer ( $\epsilon_{W/HOGE}$ ), $\beta_m = 90$ deg .....	B-45
Table 4-V(b), XV-15 Wing Wake Deflection on Horizontal Stabilizer ( $\epsilon_{W/HOGE}$ ), $\beta_m = 60$ deg .....	B-46
Table 4-V(c), XV-15 Wing Wake Deflection on Horizontal Stabilizer ( $\epsilon_{W/HOGE}$ ), $\beta_m = 30$ deg .....	B-47
Table 4-V(d), XV-15 Wing Wake Deflection on Horizontal Stabilizer ( $\epsilon_{W/HOGE}$ ), $\beta_m = 15$ deg .....	B-48
Table 4-V(e), XV-15 Wing Wake Deflection on Horizontal Stabilizer ( $\epsilon_{W/HOGE}$ ), $\beta_m = 0$ deg .....	B-49
Table 4-VI, XV-15 Wing-Pylon Rolling Moment, $C_{1\beta} \left  C_{L_{WP}} = M_N = 0 \right.$ , 1/rad .....	B-50
Table 4-VII, XV-15 Wing-Pylon Rolling Moment, $\frac{C_{1\beta}}{C_{L_{WP}}} \left  M_N = 0 \right.$ , 1/rad .....	B-50
Table 4-VIII, XV-15 Wing-Pylon Pitching Moment, $C_{m_{WP}}$ , 1/rad .....	B-51
Table 4-IX, Partial of Wing Coefficient of Lift with Respect to Angle of Attack $\frac{\partial C_{L_{WPF}}}{\partial \alpha_{WFS}} \left  C_{L_{WP}} = 0 \right.$ ....	B-51
Table 4-X, Wing Coefficient of Drag at Wing Coefficient of Lift Equal to Zero, $C_{D_{OWP}} \left  C_{L_{WP}} = 0 \right.$ .....	B-52
Table 4-XI, XV-15 Aileron Effectiveness Correction for Flap and Mast ( $K_{1\delta_a}$ ) for $ \alpha_w  < 8$ deg .....	B-53
Table 4-XII, XV-15 Aileron Effect on Wing Lift ( $C_{1\delta_a}$ ) .....	B-54
Table 4-XIII and 4-IX, XV-15 Aileron Yaw Coefficient ( $C_{n\delta_a}$ ) .....	B-54

**TABLE OF CONTENTS (Continued)**

	Page
Table 4-XV, Pylon Interference Drag Coefficient, $D_{PYINT}$ .....	B-55
Table 4-XVI, Pylon Drag Factor with Sideslip, $K_{PLAT}$ .....	B-55
 Subsystem No. 5--XV-15 Horizontal Stabilizer Aerodynamics	
Constants .....	B-56
Coefficients .....	B-56
Data Tables	
Table 5-I, XV-15 Horizontal Stabilizer Lift Coefficient, $C_{LH}$ .....	B-56
Table 5-II, XV-15 Horizontal Stabilizer Lift Coefficient, $C_{LH}$ .....	B-60
Table 5-III, XV-15 Horizontal Stabilizer Drag Coefficient, $C_{DH}$ .....	B-62
Table 5-IV, XV-15 Elevator/Rudder Effectiveness ( $\tau_e/\tau_r$ ) Correction for Mach Number Effects, $X_{Ke}$ , $X_{Kr}$ .....	B-64
Table 5-V(a), XV-15 Dynamic Pressure Ratio at the Horizontal Stabilizers ( $\eta_H$ or $\eta_V$ ), $\beta_m = 0$ deg, Rotors ON .....	B-65
Table 5-V(b), XV-15 Dynamic Pressure Ratio at the Horizontal Stabilizers ( $\eta_H$ or $\eta_V$ ), $\beta_m = 15$ deg, Rotors ON .....	B-66
Table 5-V(c), XV-15 Dynamic Pressure Ratio at the Horizontal Stabilizers ( $\eta_H$ or $\eta_V$ ), $\beta_m = 30, 60,$ 90 deg, Rotors ON .....	B-67
Table 5-VI, Dynamic Pressure Loss Factor Due to Fuselage Sideslip Angle for the Horizontal and Vertical Stabilizers, $K_{\beta HS}$ or $K_{\beta VS}$ .....	B-68
Table 5-VII, Mach Number Effect on the Downwash Term ( $\partial \epsilon_W/H/\partial \alpha_W$ ), PCPM .....	B-68

**TABLE OF CONTENTS (Continued)**

	Page
<b>Subsystem No. 6--XV-15 Vertical Fin Aerodynamic Data</b>	
Constants .....	B-69
Coefficients .....	B-69
<b>Data Tables</b>	
Table 6-I, XV-15 Vertical Stabilizer Lift	
Coefficient ( $C_{YV}$ ) .....	B-70
Table 6-II, XV-15 Vertical Stabilizer Lift	
Coefficient ( $C_{YV}$ ) .....	B-73
Table 6-III, XV-15 Vertical Stabilizer Drag	
Coefficient ( $C_{DV}$ ) .....	B-75
Table 6-IV, XV-15 Sidewash Factor $(1 - \frac{\partial \sigma}{\partial \beta_F})$	
for Flap Setting, $X_{FL1} = 0/0$ .....	B-77
Table 6-V, XV-15 Sidewash Factor $(1 - \frac{\partial \sigma}{\partial \beta_F})$	
for Flap Setting, $X_{FL2} = 20/12.5$ .....	B-78
Table 6-VI, XV-15 Sidewash Factor $(1 - \frac{\partial \sigma}{\partial \beta_F})$	
for Flap Setting, $X_{FL3} = 40/25$ .....	B-79
Table 6-VII, XV-15 Sidewash Factor $(1 - \frac{\partial \sigma}{\partial \beta_F})$	
for Flap Setting, $X_{FL4} = 75/47$ .....	B-80
Table 6-VIII, XV-15 Rotor Sidewash Factor ( $K_{\beta R}$ ) .....	B-81
 <b>Subsystem No. 7A--XV-15 Landing Gear</b>	
Constants .....	B-82
Coefficients .....	B-82
<b>Data Tables</b>	
Table 7A-I, Landing Gear Drag as a Percent of Gear	
Extension .....	B-83
Table 7A-II, Main Landing Gear Drag as a Function	
of Landing Gear Position ( $D_{MG}$ ) .....	B-84



**TABLE OF CONTENTS (Continued)**

	Page
Table 7A-III, Nose Landing Gear Drag as a Function of Landing Gear Position ( $D_{NG}$ ) .....	B-85
Figure B7A-1, Landing Gear Drag as a Function of Landing Gear Position .....	B-86
 Subsystem No. 7B--XV-15 Landing Gear	
Constants .....	B-87
Coefficients .....	B-87
 Subsystem No. 8a--XV-15 Controls	
Constants .....	B-88
Coefficients .....	B-88
Data Tables	
Table 8a-I, XV-15 F/A Cyclic Pitch to Longitudinal Gearing, $(\frac{\partial B_1}{\partial X_{LN}})$ .....	B-89
Table 8a-II, XV-15 Differential Cyclic Pitch Gearing, $(\frac{\partial B_1}{\partial X_{PD}})$ .....	B-90
Table 8a-III, XV-15 Differential Collective Pitch Gearing, $(\frac{\partial \theta_o}{\partial X_{LT}})$ .....	B-91
Table 8a-IV, XV-15 Collective Pitch Gearing, $(\frac{\partial \theta_o}{\partial X_{COL}}; \theta_{oLL}$ at 0.75 R) .....	B-92
Table 8a-V, XV-15 Commanded Pylon Conversion Rate, $\dot{\beta}_{mC}$ .....	B-93
Table 8a-VI, XV-15 Collective Rigging Versus Throttle Rigging, $X_{COL}$ versus $X_{THR,L}$ .....	B-94
Table 8a-VII, XV-15 Mast Angle Versus Flapping Controller Gain, $\beta_m$ versus $A_1 \beta_m$ .....	B-95

**TABLE OF CONTENTS (Continued)**

	<b>Page</b>
Table 8a-VIII, XV-15 U Velocity Versus Flapping Controller Gain, U versus $A_{1V_T}$ .....	B-95
Subsystem No. 8b--XV-15 Force Feel System	
Coefficients .....	B-96
Subsystem No. 8c--XV-15 Control Force Trim System	
Coefficients .....	B-97
Subsystem No. 9--XV-15 CG and Inertia	
Constants .....	B-98
Coefficients .....	B-98
Subsystem No. 10a--XV-15 Axes Transformation (Airframe Aerodynamic Forces and Moments From Wind to Body Axis)	
Constants .....	B-99
Subsystem No. 10b--XV-15 Axes Transformation (Rotor Forces and Moments From Wind to Body Axis)	
Constants: .....	B-100
Subsystem No. 10f--XV-15 Axes Transformation (Ground Reference Difference)	
Constants: .....	B-101
Subsystem No. 11--XV-15 Angular Accelerations and Velocities	
Constants .....	B-102
Subsystem No. 12--XV-15 Body Axis Linear Acceleration and Velocities	
Constants .....	B-103

**TABLE OF CONTENTS (Continued)**

	<b>Page</b>
Subsystem No. 13--XV-15 Force Summation .....	B-104
Subsystem No. 14--XV-15 Moment Summation	
Constants .....	B-105
Coefficients .....	B-106
Subsystem No. 15--XV-15 Flight Environment Group	
Constants .....	B-107
Subsystem No. 17--XV-15 Rotor Collective Governor	
Constants .....	B-108
Coefficients .....	B-108
Data Tables	
Table 17-I, XV-15 Mast Angle Versus Rotor Collective Governor Proportional Gain, $\beta_m$ versus $K_{PROG}$ .....	B-109
Table 17-II, XV-15 Mast Angle Versus Rotor Collective Governor Integral Gain, $\beta_m$ versus $K_{INTG}$ .....	B-109
Subsystem No. 18--XV-15 Engines and Fuel Controls	
Constants .....	B-110
Coefficients .....	B-110
Data Tables	
Table 18-I, XV-15 Throttle Versus Rower Rigging, $X_{THR}$ versus $R_{SHP}$ .....	B-111
Table 18-II, XV-15 Engine RAM Effect .....	B-112
Table 18-III, T-53 (LTCIK-4K) Engine Acceleration Characteristics .....	B-112
Table 18-IV, XV-15 Jet Thrust Coefficients .....	B-113
Figure B18-1. T53 Engine Acceleration Characteristics .....	B-114

**TABLE OF CONTENTS (Concluded)**

	<b>Page</b>
Subsystem No. 19--XV-15 Drive System	
Constants .....	B-115
Subsystem No. 20--XV-15 Stability and Control Augmentation System	
Constants .....	B-116

TABLE I. XV-15 CG AND INERTIA DATA

Gross Wt.	= 13000 lbs		= 10877 lbs
	Aft CG	Fwd CG	Fwd CG
$SL_{CG} \mid \beta_m = 0$	301.2	291.7	290.
$BL_{CG} \mid \beta_m = 0$	0	0	0.
$WL_{CG} \mid \beta_m = 0$	81.65	81.65	80.
$I_{XX} \mid \beta_m = 0$	52795	52795	40940
$I_{YY} \mid \beta_m = 0$	21360	21360	13638
$I_{ZZ} \mid \beta_m = 0$	66335	66335	51674
$I_{XZ} \mid \beta_m = 0$	1234	1234	1200

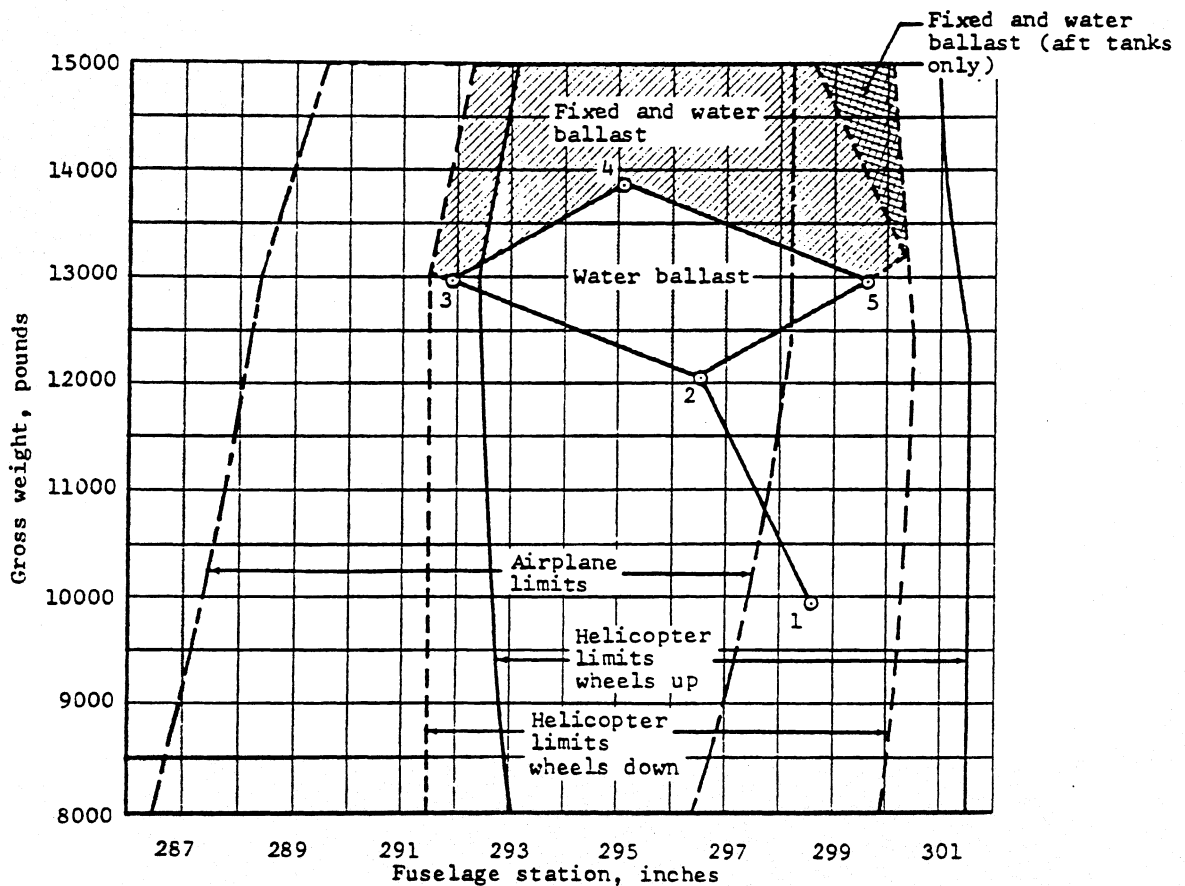


TABLE II. GENERAL XV-15 DESIGN DATA

ITEM	SYMBOL	XV-15 VALUE
<u>Fuselage</u>		
Center of pressure	SL <sub>F</sub>	293.0 in
	BL <sub>F</sub>	0.0 in
	WL <sub>F</sub>	84.0 in
<u>Wing-Pylon</u>		
Center of pressure	SL <sub>WP</sub>	291.7 in
	BL <sub>WP</sub>	102.5 in
	WL <sub>WP</sub>	95.85 in
Area	S <sub>W</sub>	181.0 ft <sup>2</sup>
Span	b <sub>W</sub>	32.17 ft
Chord	c <sub>W</sub>	5.255 ft
Sweep (quarter chord)	[Λ <sub>C/4</sub> ] <sub>W</sub>	-6.5 deg
Aspect ratio	AR <sub>W</sub>	5.7
Trailing edge	SL <sub>WTE</sub>	338.19 in
<u>Horizontal Stabilizer</u>		
Center of pressure	SL <sub>H</sub>	560.0 in
	BL <sub>H</sub>	0.0 in
	WL <sub>H</sub>	103.0 in
Area	S <sub>H</sub>	50.25 ft <sup>2</sup>
Span	b <sub>H</sub>	12.83 ft
Chord	c <sub>H</sub>	3.92 ft
Leading edge	SL <sub>HLE</sub>	548.25 in
<u>Vertical Stabilizer</u>		
Center of pressure	SL <sub>V</sub>	570.02 in
	BL <sub>V</sub>	77.0 in
	WL <sub>V</sub>	115.69 in
Number of panels	--	2
Area (per panel)	S <sub>V</sub>	25.25 ft <sup>2</sup>

TABLE II (Continued)

ITEM	SYMBOL	XV-15 VALUE
<u>Vertical Stabilizer (Concluded)</u>		
Span	$b_v$	7.68 ft
Chord	$c_v$	3.725 ft
Leading edge	$SL_{VLE}$	555.1 in
<u>Rotors</u>		
Location of shaft pivot point	$SL_{SP}$	300.0 in
	$BL_{SP}$	193.0 in
	$WL_{SP}$	100.0 in
Number of blades per rotor	$n_b$	3
Radius	$R$	12.5 ft
Chord	$c_b$	1.167 ft
Mast length	$l_m$	4.667 ft
Pitch-flap coupling	$\delta_3$	-15.0 deg
Solidity	$\sigma$	0.089
Lock number	$\gamma$	3.83
Direction of rotation--inboard tip motion-helicopter/airplane		Aft/Up
Rotor RPM		
Helicopter		589 RPM
Conversion		589 RPM
Airplane		517 RPM
Blade flapping limits		$\pm 12$ deg
Flapping inertia per blade	$I_b$	102.5 slug-ft <sup>2</sup>
Flapping spring rate/rotor	$K_{FA}, K_{LAT}$	225.0 ft-lb/deg

TABLE II (Continued)

ITEM	SYMBOL	XV-15 VALUE		
<u>Rotors (Concluded)</u>				
Angle of outboard tilt of mast axis				
Helicopter	$\phi_m$		1.0 deg*	
Airplane			0.0 deg	
Conversion range	$\beta_m$		-5.0 to +90.0 deg	
<u>Pylon</u>				
Center of gravity	$\left\{ \begin{array}{l} SL_P \\ BL_P \\ WL_P \end{array} \right.$		291.7 in	
			193.0 in	
			118.0 in	
Weight (two pylons)	$W_P$		4200.0 lbs	
Estimated Inertia (per pylon)	$\left\{ \begin{array}{l} I_X \\ I_Y \\ I_Z \end{array} \right.$		100 slug-ft <sup>2</sup>	
			500 slug-ft <sup>2</sup>	
			450 slug-ft <sup>2</sup>	
<u>Landing Gear (C<sub>L</sub> gear)</u>				
Main gear coordinates	$\left\{ \begin{array}{l} SL_{MG} \\ BL_{MG} \\ WL_{MG}^\# \end{array} \right.$	<u>Up</u>	<u>Down</u>	
			295.84	326.0 in
			46.01	51.25 in
		38.0	8.25 in	
Nose gear coordinates	$\left\{ \begin{array}{l} SL_{NG} \\ BL_{NG} \\ WL_{NG}^\# \end{array} \right.$		176.76	139.0 in
			0.0	0.0 in
			32.75	4.95 in

\*The built-in dihedral of the pylon is 2.5 deg; in hover, elastic deformation reduces the dihedral to 1.0 deg.

<sup>#</sup>WL<sub>grd</sub> = 11.0. WL values shown are static loaded position at design gross weight.



TABLE II (Concluded)

<u>ITEM</u>	<u>SYMBOL</u>	<u>XV-15 VALUE</u>
<u>Pilot Control Limits</u>		
Collective stick	X <sub>COL</sub>	10.0 in
Longitudinal stick	X <sub>LN</sub>	± 4.8 in
Lateral stick	X <sub>LT</sub>	± 4.8 in
Pedal	X <sub>PD</sub>	± 2.5 in
Blade pitch governor lever		7.5 in

Engine Ratings

2 minute contingency	1760 SHP
10 minute takeoff	1550 SHP
30 minute military	1400 SHP
Normal rated	1250 SHP

Pilot Station Coordinates

		<u>Eye Level</u>	<u>Seat Ref. Point</u>	
Pilot station	{	SL <sub>PA</sub>	209.1	215.25 in
		BL <sub>PA</sub>	16.5	16.5 in
		WL <sub>PA</sub>	82.0	50.5 in

SUBSYSTEM NO. 1—XV-15 ROTOR AERODYNAMICS

<u>Constants</u>	<u>Value</u>
$n_b$	3.0
$m$	10
$X_0/R$	1.0
$X_1/R$	0.6
$X_2/R$	0.5333
$X_3/R$	0.4667
$X_4/R$	0.4
$X_5/R$	0.3333
$X_6/R$	0.2667
$X_7/R$	0.2
$X_8/R$	0.1333
$X_9/R$	0.0667
$X_{10}/R$	0.0
$\theta_0$	0.0
$\theta_1$	10.2
$\theta_2$	12.3
$\theta_3$	14.5
$\theta_4$	17.75
$\theta_5$	21.9
$\theta_6$	26.15
$\theta_7$	30.65
$\theta_8$	34.65
$\theta_9$	38.0
$\theta_{10}$	40.9
$R$	12.5 ft
$\delta_3$	-15.0 deg
$c_b$	14.0 in
$I_b$	102.5 slug-ft <sup>2</sup>
$l_m$	4.667 ft
$\phi_m$	1.0 deg

**SUBSYSTEM NO. 1—XV-15 ROTOR AERODYNAMICS (Continued)**

<u>Constants</u>	<u>Value</u>
BL <sub>CG</sub>	0.0 in
SL <sub>SP</sub>	300.0 in
BL <sub>SP</sub>	193.0 in
WL <sub>SP</sub>	100.0 in
K <sub>H</sub>	225 ft-lb/deg
K <sub>HUB</sub>	180,000.0 ft-lb/deg
$\bar{a}_0$	2.5 deg

<u>Coefficients</u>	<u>Value</u>
a <sub>0</sub>	4.95
a <sub>1</sub>	8.0
a <sub>2</sub>	-30.0
δ <sub>0</sub>	0.015
δ <sub>1</sub>	-0.068
δ <sub>2</sub>	0.81
B	0.97
α <sub>OL</sub>	1.0 deg
CDMACH	0.35
CDMAX	0.11
CDALPH	0.01
CDLIM	0.85
CDFACT	0.2
CTMAXM	1.0
GECON1	1.563
GECON2	-2.912
GEWASH	-0.08
SFWASH	54.0 ft/sec

SUBSYSTEM NO. 1—XV-15 ROTOR AERODYNAMICS (Continued)

<u>Coefficients</u>	<u>Value</u>
MULO	0.1067
MUH1	0.5733
KMU1	17.807
KMU2	-0.561
KMUSF	6.0

Data Tables

Table 1-I, Maximum Available Rotor Thrust Coefficient,  $\bar{C}_T = f(\mu, \beta_m)$

$\mu$	$C_{T_{max}} / \sigma$
0.0	0.18
0.0438	0.17978
0.0876	0.17955
0.1314	0.17854
0.1751	0.17753
0.2189	0.17506
0.2627	0.17247
0.3065	0.16753
0.3503	0.15652
0.3941	0.142
0.4379	0.118
0.5	0.08

**SUBSYSTEM NO. 1—XV-15 ROTOR AERODYNAMICS (Continued)**

The following endurance limit tables flag the output of the program if exceeded but do not effect calculations.

C <sub>T</sub> /σ Endurance Limit Tables			
μ	i <sub>N</sub> > 75 deg	i <sub>N</sub> = 60 deg	i <sub>N</sub> < 30 deg
0	0.1798	0.1798	0.1798
0.057	0.1483	0.1404	0.1326
0.114	0.1348	0.1225	0.1079
0.171	0.1236	0.1067	0.0843
0.228	0.1124	0.0899	0.0618
0.285	0.0955	0.0685	0.0449
0.342	0.0730	0.0506	0.0315
0.399	0.0562	0.0371	0.0202
0.456	0.0421	0.0247	0.0090

Table 1-II, Sideward Flight Rotor Correction Factor, X<sub>SF</sub> = f(|V̄|)

\bar{V}	X <sub>SF</sub>
0	0
0.0455	0.16
0.091	0.62
0.136	0.91
0.182	0.70
0.227	0.55
0.273	0.39
0.319	0.21

SUBSYSTEM NO. 1—XV-15 ROTOR AERODYNAMICS (Concluded)

Table 1-III, Side-by-Side Rotor Correction Factor,  $X_{SS} = f(|\bar{\mu}|)$

$ \bar{\mu} $	$X_{SS}$
0	0
0.025	0
0.050	0
0.075	-.005
0.10	-.02
0.125	-.05
0.150	-.08
0.20	-.085
0.250	-.085
0.30	-.085

**SUBSYSTEM NO. 2--XV-15 ROTOR INDUCED VELOCITIES**

<u>Constants</u>	<u>Value</u>
R	12.5 ft
$l_m$	4.667 ft
$SL_H$	560.0 in
$SL_{SP}$	300.0 in

<u>Coefficients</u>	<u>Value</u>
$K_0$	1.6
$K_1$	0.0
$K_2$	0.0
$K_3$	0.0
$K_4$	0.0

**SUBSYSTEM NO. 2—XV-15 ROTOR INDUCED VELOCITIES (Continued)**

Data Tables

Table 2-Ia, Rotor Wake on Horizontal Stabilizer,  $\frac{W_i}{W_i} \left| \frac{R}{H} \right|$ ,  $\beta_m = 0$  deg

$\alpha_F$ , Deg	$V_T$ , kts							
	0	20	40	60	80	100	120	> 140
-180	0.0	0.0	0.0	0.0	0.0	0.0	0.0	0.0
- 30	0.0	0.0	0.0	0.0	0.0	0.0	0.0	0.0
- 28	0.0	-.02	-.06	-.10	-.15	-.12	-.02	0.0
- 24	0.0	-.05	-.15	-.30	-.60	-.37	-.05	0.0
- 20	0.0	-.06	-.25	-.50	-.92	-.65	-.06	0.0
- 16	0.0	-.07	-.40	-.70	-1.10	-.85	-.07	0.0
- 12	0.0	-.07	-.46	-.85	-1.13	-.90	-.08	0.0
- 8	0.0	-.14	-.46	-.73	-1.05	-.80	-.10	0.0
- 4	0.0	-.0945	-.33	-.623	-.90	-.67	-.09	0.0
0	0.0	-.06	-.23	-.52	-.725	-.57	-.07	0.0
4	0.0	-.0314	-.113	-.392	-.55	-.45	-.03	0.0
8	0.0	-.075	-.127	-.290	-.44	-.35	-.07	0.0
12	0.0	-.06	-.10	-.250	-.38	-.27	-.06	0.0
16	0.0	-.04	-.045	-.160	-.20	-.15	-.04	0.0
20	0.0	0.0	0.0	0.0	0.0	0.0	0.0	0.0
180	0.0	0.0	0.0	0.0	0.0	0.0	0.0	0.0



SUBSYSTEM NO. 2—XV-15 ROTOR INDUCED VELOCITIES (Continued)

Table 2-Ib, Rotor Wake on Horizontal Stabilizer,  $\frac{W_i}{W_1} \left| \frac{R}{H} \right|$ ,  $\beta_m = 15$  deg

$\alpha_F$ , Deg	$V_T$ , kts							
	0	20	40	60	80	100	120	> 140
-180	0.0	0.0	0.0	0.0	0.0	0.0	0.0	0.0
- 30	0.0	0.0	0.0	0.0	0.0	0.0	0.0	0.0
- 28	0.0	-.05	-.10	-.15	-.25	-.22	-.05	0.0
- 24	0.0	-.10	-.25	-.40	-.55	-.50	-.10	0.0
- 20	0.0	-.15	-.40	-.65	-.90	-.75	-.15	0.0
- 16	0.0	-.20	-.50	-.78	-1.05	-.90	-.20	0.0
- 12	0.0	-.20	-.60	-.85	-1.08	-.95	-.20	0.0
- 8	0.0	-.16	-.55	-.80	-1.04	-.92	-.16	0.0
- 4	0.0	-.10	-.45	-.75	-.92	-.85	-.10	0.0
0	0.0	-.09	-.30	-.61	-.75	-.65	-.09	0.0
4	0.0	-.10	-.17	-.48	-.56	-.52	-.10	0.0
8	0.0	-.08	-.27	-.34	-.36	-.35	-.08	0.0
12	0.0	-.07	-.22	-.25	-.27	-.26	-.07	0.0
16	0.0	-.05	-.15	-.15	-.15	-.15	-.05	0.0
20	0.0	0.0	0.0	0.0	0.0	0.0	0.0	0.0
180	0.0	0.0	0.0	0.0	0.0	0.0	0.0	0.0

SUBSYSTEM NO. 2—XV-15 ROTOR INDUCED VELOCITIES (Continued)

Table 2-Ic, Rotor Wake on Horizontal Stabilizer,  $\frac{W_i}{W_i} \frac{R}{H}$ ,  $\beta_m = 30$  deg

$\alpha_F$ , Deg	$V_T$ , kts							
	0	20	40	60	80	100	120	> 140
-180	0.0	0.0	0.0	0.0	0.0	0.0	0.0	0.0
- 30	0.0	0.0	0.0	0.0	0.0	0.0	0.0	0.0
- 28	0.0	-.02	-.03	-.04	-.05	-.05	-.02	0.0
- 24	0.0	-.04	-.06	-.06	-.10	-.10	-.04	0.0
- 20	0.0	-.05	-.08	-.14	-.15	-.15	-.05	0.0
- 16	0.0	-.07	-.15	-.20	-.26	-.26	-.07	0.0
- 12	0.0	-.08	-.20	-.25	-.38	-.38	-.08	0.0
- 8	0.0	-.08	-.22	-.35	-.44	-.44	-.08	0.0
- 4	0.0	-.08	-.26	-.43	-.48	-.48	-.08	0.0
0	0.0	-.08	-.30	-.45	-.52	-.52	-.08	0.0
4	0.0	-.07	-.30	-.45	-.60	-.60	-.07	0.0
8	0.0	-.06	-.24	-.30	-.44	-.44	-.06	0.0
12	0.0	-.06	-.15	-.24	-.28	-.28	-.06	0.0
16	0.0	-.04	-.06	-.10	-.14	-.14	-.04	0.0
20	0.0	0.0	0.0	0.0	0.0	0.0	0.0	0.0
180	0.0	0.0	0.0	0.0	0.0	0.0	0.0	0.0

Table 2-Id, Rotor Wake on Horizontal Stabilizer,  $\frac{W_i}{W_i} \frac{R}{H}$ ,  $\beta_m = 60, 90$  deg

$$\frac{W_i}{W_i} \frac{R}{H} = 0.0$$

SUBSYSTEM NO. 2—XV-15 ROTOR INDUCED VELOCITIES (Concluded)

Table 2-II, Rotor Wake on Horizontal Stabilizer,  $K_{H\beta}$

$\beta_F$ , deg	Mast Angle, $\beta_m$ , Deg				
	0	15	30	60	90
0	1.0	1.0	1.0	1.0	1.0
± 4	0.9	0.99	1.1	1.0	1.0
± 8	0.625	0.96	1.3	1.0	1.0
± 12	0.30	0.89	1.4	1.0	1.0
± 16	0.05	0.70	0.8	1.0	1.0
± 20	-.17	0.15	0.45	1.0	1.0
± 24	-.28	0.0	0.225	0.5	0.5
± 28	-.17	0.0	0.07	0.25	0.25
± 32	0.0	0.0	0.0	0.0	0.0
± 180	0.0	0.0	0.0	0.0	0.0

**SUBSYSTEM NO. 3—XV-15 FUSELAGE AERODYNAMICS**

<u>Constants</u>	<u>Value</u>
LLANG	0.0 ft <sup>2</sup>
DLANG	-0.5 ft <sup>2</sup>
LBFO	-7.23 ft <sup>2</sup>
DBFO	-1.56 ft <sup>2</sup>
MBFO	66.5 ft <sup>3</sup>

Data Tables

XV-15 FUSELAGE AERODYNAMICS WITH ANGLE OF ATTACK			
$\alpha_F$ , deg	Table 3-I $L_\alpha^*$	Table 3-III $D_\alpha$	Table 3-V $M_\alpha$
-90	0	116.0	670.0
-80 -100	-6.0	112.0	470.0
-70 -110	-14.0	108.0	270.0
-60 -120	-18.0	100.0	70.0
-50 -130	-20.0	80.0	-160.0
-40 -140	-20.0	55.0	-360.0
-36 -144	-19.0	45.0	-410.0
-32 -148	-18.0	35.0	-440.0
-28 -152	-17.0	25.0	-440.0
(Continued on next page)			

\*For Table 3-I only,  $L_\alpha$  from  $\pm 100$  changes sign from that shown for  $L_\alpha$  between  $\pm 90$  degrees.

SUBSYSTEM NO. 3—XV-15 FUSELAGE AERODYNAMICS (Continued)

XV-15 FUSELAGE AERODYNAMICS WITH ANGLE OF ATTACK				
$\alpha_F$ , deg		Table 3-I $L_\alpha^*$	Table 3-III $D_\alpha$	Table 3-V $M_\alpha$
-24	-156	-15.0	20.0	-430.0
-20	-160	-10.87	15.39	-380.0
-16	-164	-7.25	10.78	-370.0
-12	-168	-3.63	6.17	-295.0
-8	-172	-.01	3.0	-219.0
-4	-176	3.61	1.8	-142.5
0	$\pm 180$	7.23	1.56	-66.5
4	176	10.85	1.8	9.5
8	172	14.47	2.3	85.5
12	168	18.09	3.67	123.5
16	164	21.71	5.78	142.5
20	160	25.33	7.89	133.0
24	156	28.0	10.0	95.0
28	152	32.0	15.0	95.0
32	148	36.0	20.0	133.0
36	144	40.0	25.0	114.0
40	140	43.0	30.0	95.0
50	130	45.0	50.0	20.0
60	120	40.0	70.0	-50.0
70	110	35.0	80.0	-130.0
80	100	25.0	90.0	-210.0
90		0	95.0	-300.0

\*For Table 3-I only,  $L_\alpha$  from  $\pm 100$  changes sign from that shown for  $L_\alpha$  between  $\pm 90$  degrees.

SUBSYSTEM NO. 3—XV-15 FUSELAGE AERODYNAMICS (Continued)

XV-15 FUSELAGE AERODYNAMICS WITH SIDESLIP			
$\beta_F$ , deg	Table 3-II $L_\beta$	Table 3-IV $D_\beta$	Table 3-VI $M_\beta$
0	7.23	1.56	-66.5
±2	--	--	-66.5
±4	--	--	-54.8
±6	--	--	-34
±8	--	--	-14
±10	5.00	5.0	0.
±20	0.0	10.0	70.0
±30	-15.0	20.0	140.0
±40	-40.0	40.0	210.0
±50	-90.0	60.0	210.0
±60	-120.0	80.0	140.0
±70	-125.0	100.0	70.0
±80	-130.0	120.0	0
±82	--	--	-14
±84	--	--	-34
±86	--	--	-54.8
±88	--	--	-66.5
±90	-135.0	125.0	-66.5
±92	--	--	-66.5
±94	--	--	-54.8
±96	--	--	-34
±98	--	--	-14

(Continued on next page)

SUBSYSTEM NO. 3—XV-15 FUSELAGE AERODYNAMICS (Continued)

XV-15 FUSELAGE AERODYNAMICS WITH SIDESLIP			
$\beta_F$ , deg	Table 3-II $L_\beta$	Table 3-IV $D_\beta$	Table 3-VI $M_\beta$
±100	-130.0	120.0	0
±110	-125.0	100.0	70.0
±120	-120.0	80.0	140.0
±130	-90.0	60.0	210.0
±140	-40.0	40.0	210.0
±150	-15.0	20.0	140.0
±160	0.0	10.0	70.0
±170	5.0	5.0	0
±172	--	--	-14
±174	--	--	-34
±176	--	--	-54.8
±178	--	--	-66.5
±180	7.23	1.56	-66.5

**SUBSYSTEM NO. 3—XV-15 FUSELAGE AERODYNAMICS (Concluded)**

XV-15 FUSELAGE AERODYNAMICS WITH SIDESLIP			
$\beta_F$ , deg	Table 3-VII $Y_\beta$	Table 3-VIII $l_\beta$	Table 3-IX $N_\beta$
0	0.0	0.0	0.0
±10	-14.5	-75.0	-202.0
±20	-29.0	-150.0	-404.0
±30	-43.5	-225.0	-600.0
±40	-50.0	-275.0	-700.0
±50	-50.0	-275.0	-700.0
±60	-43.5	-225.0	-600.0
±70	-29.0	-150.0	-404.0
±80	-14.5	-75.0	-202.0
±90	0.0	0.0	0.0
±100	14.5	75.0	202.0
±110	29.0	150.0	404.0
±120	43.5	225.0	600.0
±130	50.0	275.0	700.0
±140	50.0	275.0	700.0
±150	43.5	225.0	600.0
±160	29.0	150.0	404.0
±170	14.5	75.0	202.0
±180	0.0	0.0	0.0

\*If  $\beta_F$  is positive,  $Y_\beta$  has sign of table. If  $\beta_F$  is negative,  $Y_\beta$  sign is opposite of table.  $Y_{\beta_{\beta < 0}} = -Y_{\beta_{\beta > 0}}$ ,  $l_{\beta_{\beta < 0}} = -l_{\beta_{\beta > 0}}$ ,  $N_{\beta_{\beta < 0}} = -N_{\beta_{\beta > 0}}$ .



**SUBSYSTEM NO. 4—XV-15 WING-PYLON AERODYNAMICS**

<u>Constants</u>	<u>Values</u>
$l_m$	4.667 ft
$SL_{WP}$	291.7 in
$SL_{SP}$	300.0 in
$BL_{SP}$	193.0 in
$BL_{CG}$	0.0 in
$SL_{WTE}$	338.19 in
$S_W$	181.0 ft <sup>2</sup>
$c_W$	5.225 ft
$b_W$	32.17 ft
$\Lambda_W$	-6.5 deg
$S_{PYL}$	24.05 ft <sup>2</sup>
$\phi_m$	1.0 deg
<u>Coefficients</u>	<u>Values</u>
$C_{Y\beta} \Big _{M_N=0}$	0.0 1/rad
$\frac{C_{Yp}}{C_{L_{WP}}} \Big _{M_N=0}$	0.0 1/rad
$C_{Yr} \Big _{M_N=0}$	0.0 1/rad
$C_{lp} \Big _{C_{L_{WP}}=M_N=0}$	-0.774 1/rad
$\frac{C_{lr}}{C_{L_{WP}}} \Big _{M_N=0}$	0.27 1/rad
$\frac{\Delta C_{lr}}{(\partial \alpha_{WFS} / \partial \delta_F)(\delta_F)}$	-0.0016 1/deg

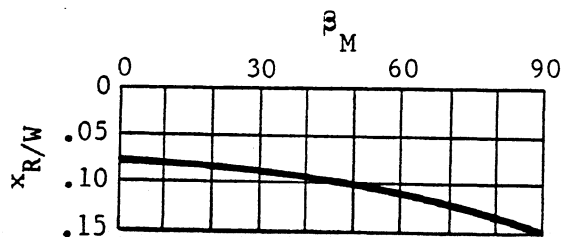
SUBSYSTEM NO. 4—XV-15 WING-PYLON AERODYNAMICS (Continued)

Coefficients	Value
$C_{l_{\delta a}} \left  \begin{array}{l} \delta_F = 0 \text{ deg} \\ \alpha_{WFS} < 8 \text{ deg} \end{array} \right.$	0.006 1/deg
$C_{n_{\beta}} \left  \begin{array}{l} C_{L_{WP}} = M_N = 0 \end{array} \right.$	-0.0315 1/rad
$\left( \frac{C_{n_{\beta}}}{C_{L_{WPFS}}^2} \right) \left  \begin{array}{l} M_N = 0 \end{array} \right.$	0.057 1/rad
$\left( \frac{C_{n_r}}{C_{L_{WP}}^2} \right)$	-0.016 1/rad
$\frac{C_{n_r}}{C_{D_{oWP}}}$	-0.32 1/rad
$\frac{C_{n_p}}{C_{L_{WP}}} \left  \begin{array}{l} M_N = 0 \end{array} \right.$	-0.06 1/rad
$(\partial \alpha_{WFS} / \partial \delta_F)$	-0.45

SUBSYSTEM NO. 4—XV-15 WING-PYLON AERODYNAMICS (Continued)

<u>Coefficients</u>	<u>Value</u>
$K_{np}$	1.0
$K_{RW}$	3.0
$K_{XRW}$	0.26
$X_{RWO}^*$	0.0806
$X_{RW1}^*$	0.00003341 1/deg
$X_{RW2}^*$	0.000007386 1/deg <sup>2</sup>
$K_{FWO}$	1.4
$K_{FWDF}$	-0.0035 1/deg
$(SD/q)_{\beta_m=90}$	1.0 ft <sup>2</sup>
$(SD/q)$	5.5 ft <sup>2</sup>

\*Coefficients are a fit of the data below.



**SUBSYSTEM NO. 4—XV-15 WING-PYLON AERODYNAMICS (Continued)**

Data Tables

Table 4-I, XV-15 Wing-Pylon Lift Coefficient ( $C_{LWP}$ ), Flap Setting,  $X_{FL1} = 0/0$

Flap Setting, $X_{FL1} = 0/0$					
Mast Angle, $\beta_m$					
90 deg Airplane				0 deg Helicopter	
Mach Number, $M_N$					
$\alpha_W$	0 - 0.2	0.4	0.5	0.6	0 - 0.4
-40	-.93				-.68
-36	-.84				-.58
-32	-.84	Not			-.57
-28	-.89	Defined	Not		-.62
-24	-1.00		Defined	Not	-.72
-20	-1.15	-.84		Defined	-.88
-19.5	-1.15	-.86			-.88
-16	-.95	-.94	-.675	-.49	-.73
-15.5	-.91	-.945	-.680	-.49	-.70
-13.0	-.75	-.85	-.805	-.50	-.57
-12	-.67	-.772	-.800	-.50	-.50
-11	-.59	-.67	-.78	-.49	-.44
-8	-.33	-.37	-.4	-.41	-.22
-4	-.04	-.025	-.01	-.01	-.06
0	0.38	0.38	0.39	0.41	0.3
4	0.72	0.75	0.77	0.83	0.55
8	1.04	1.12	1.16	1.09	0.8
11	1.28	1.41	1.28	1.12	0.98

(Continued on next page)

SUBSYSTEM NO. 4—XV-15 WING-PYLON AERODYNAMICS (Continued)

Table 4-I, XV-15 Wing-Pylon Lift Coefficient ( $C_{LWP}$ ), Flap Setting,  $X_{FL1} = 0/0$  (Concluded)

Flap Setting, $X_{FL1} = 0/0$					
Mast Angle, $\beta_m$					
90 deg Airplane				0 deg Helicopter	
Mach Number, $M_N$					
$\alpha_W$	0 - 0.2	0.4	0.5	0.6	0 - 0.4
12	1.37	1.46	1.27	1.12	1.05
13	1.42	1.45			1.09
16	1.57	1.32			1.19
17	1.57			Not	1.17
20	1.38		Not	Defined	0.98
24	1.22	Not	Defined		0.80
28	1.20	Defined			0.78
32	1.27				0.86
36	1.40				0.98
40	1.46				1.06

SUBSYSTEM NO. 4—XV-15 WING-PYLON AERODYNAMICS (Continued)

Table 4-II, XV-15 Wing-Pylon Lift Coefficient ( $C_{L_{WP}}$ ), Flap Setting,  $X_{FL2} = 20/12.5$ ,  $X_{FL3} = 40/25$ ,  $X_{FL4} = 75/47$

Mach Number, $M_N = 0 - 0.2$						
Flap Setting						
$X_{FL2} = 20/12.5$		$X_{FL3} = 40/25$		$X_{FL4} = 75/47$		
Mast Angle, $\beta_m$						
$\alpha_W$	90 deg	0 deg	90 deg	0 deg	90 deg	0 deg
-100	0.0	0.15				
-90	0.0	0.0	0.0	0.0	0.0	0.0
-80	-0.45	-.28	-.325	-.245	-.235	-.190
-70	-.72	-.48	-.520	-.400	-.385	-.305
-60	-.79	-.60	-.610	-.480	-.450	-.333
-50	-.80	-.62	-.590	-.420	-.390	-.220
-40	-.62	-.47	-.410	-.265	-.240	-.105
-36	-.60	-.42	-.400	-.250	-.220	-.090
-32	-.60	-.40	-.425	-.260	-.240	-.095
-28	-.66	-.47	-.515	-.300	-.275	-.120
-24	-.77	-.55	-.660	-.380	-.340	-.160
-21.5	-.84	-.60	-.690	-.440	-.400	-.210
-21.0	-.85	-.61	-.680	-.440	-.400	-.210
-20	-.84	-.59	-.640	-.395	-.367	-.188
-19.2	-.81	-.54	-.580	-.360	-.310	-.140
-16	-.57	-.37	-.320	-.165	-.048	0.040
-12	-.26	-.14	0.0	0.0628	0.272	0.268
-8	0.15	0.18	0.42	0.291	0.69	0.6
-4	0.56	0.51	0.84	0.518	1.11	0.92

(Continued on next page)

SUBSYSTEM NO. 4—XV-15 WING-PYLON AERODYNAMICS (Continued)

Table 4-II, XV-15 Wing-Pylon Lift Coefficient ( $C_{L_{WP}}$ ), Flap Setting,  $x_{FL2} = 20/12.5$ ,  $x_{FL3} = 40/25$ ,  $x_{FL4} = 75/47$  (Continued)

Mach Number, $M_N = 0 - 0.2$						
Flap Setting						
$x_{FL2} = 20/12.5$		$x_{FL3} = 40/25$		$x_{FL4} = 75/47$		
Mast Angle, $\beta_m$						
$\alpha_W$	90 deg	0 deg	90 deg	0 deg	90 deg	0 deg
0	0.92	0.79	1.18	0.749	1.44	1.15
4	1.28	1.05	1.46	0.975	1.66	1.37
8	1.54	1.28	1.70	1.205	1.88	1.59
11	1.75	1.45	1.86	1.380	2.0	1.7
12	1.81	1.51	1.92	1.433	1.99	1.67
13.6	1.88	1.54	1.94	1.500	1.87	1.55
16	1.75	1.45	1.79	1.400	1.70	1.34
18.4	1.57	1.23	1.62	1.260	1.53	1.2
20	1.46	1.10	1.51	1.200	1.46	1.14
24	1.38	1.0	1.48	1.15	1.46	1.16
28	1.4	1.0	1.54	1.20	1.54	1.29
32	1.5	1.1	1.69	1.32	1.69	1.38
36	1.6	1.2	1.76	1.41	1.78	1.44
40	1.65	1.31	1.80	1.47	1.80	1.48

SUBSYSTEM NO. 4—XV-15 WING-PYLON AERODYNAMICS (Continued)

Table 4-II, XV-15 Wing-Pylon Lift Coefficient ( $C_{L_{WP}}$ ), Flap Setting,  
 $X_{FL1} = 0/0$ ,  $X_{FL2} = 20/12.5$ ,  $X_{FL3} = 40/25$ ,  $X_{FL4} = 75/47$  (Continued)

Mast Angle, $\beta_m = 0$ deg				
Mach Number, $M_N = 0 - 0.2$				
Flap Setting				
$\alpha_w$	$X_{FL1} = 0/0$	$X_{FL2} = 20/12.5$	$X_{FL3} = 40/25$	$X_{FL4} = 75/47$
-180	-0.1	-.2	-.25	-.2
-170	0.0	-.1	-.15	-.05
-160	0.2	0.1	0	0.1
-150	0.35	0.18	0.20	0.215
-140	0.4	0.29	0.32	0.25
-130	0.45	0.31	0.34	0.27
-120	0.4	0.28	0.30	0.25
-110	0.35	0.2	0.22	0.17
-100	0.2	0.15	0.12	0.08
-90	0.0	0.0	0	0.0
-80	-.25	-.28	-.245	-.19
-70	-.55	-.48	-.40	-.305
-60	-.65	-.6	-.48	-.333
-50	-.7	-.62	-.42	-.22
-40	-.68	-.47	-.265	-.105
(Same as Tables 4-I and 4-II, between $\pm 40$ deg)				

(Continued on next page)



SUBSYSTEM NO. 4—XV-15 WING-PYLON AERODYNAMICS (Continued)

Table 4-II, XV-15 Wing-Pylon Lift Coefficient ( $C_{LWP}$ ), Flap Setting,  
 $X_{FL1} = 0/0$ ,  $X_{FL2} = 20/12.5$ ,  $X_{FL3} = 40/25$ ,  $X_{FL4} = 75/47$  (Concluded)

Mast Angle, $\beta_m = 0$ deg				
Mach Number, $M_N = 0 - 0.2$				
Flap Setting				
$\alpha_W$	$X_{FL1} = 0/0$	$X_{FL2} = 20/12.5$	$X_{FL3} = 40/25$	$X_{FL4} = 75/47$
40	1.06	1.31	1.47	1.48
50	1.08	1.31	1.47	1.47
60	0.9	1.2	1.36	1.36
70	0.55	0.8	1.08	1.08
80	0.3	0.3	0.70	0.7
90	0.0	0.0	0	0
100	-.2	-.5	-.4	-.5
110	-.3	-.78	-.55	-.65
120	-.35	-.9	-.65	-.75
130	-.4	-1.0	-.7	-.829
140	-.45	-.98	-.75	-.85
150	-.4	-.91	-.7	-.8
160	-.35	-.8	-.65	-.7
170	-.25	-.65	-.5	-.6
180	-.1	-.2	-.25	-.2

SUBSYSTEM NO. 4—XV-15 WING-PYLON AERODYNAMICS (Continued)

Table 4-III, XV-15 Wing-Pylon Drag Coefficient ( $C_{D_{WP}}$ ), Flap Setting,  $X_{FLI} = 0/0$

Flap Setting, $X_{FLI} = 0/0$					
Mast Angle, $\beta_m$					
90 deg Airplane				0 deg Helicopter	
Mach Number, $M_N$					
$\alpha_W$	0-0.2	0.4	0.5	0.6	0-0.2
-40	0.575				0.685
-36	0.505	Not			0.635
-32	0.425	Defined	Not		0.580
-28	0.327		Defined	Not	0.522
-24	0.230	0.312		Defined	0.450
-20	0.150	0.175	0.275		0.370
-16	0.089	0.089	0.135	0.240	0.295
-12	0.042	0.042	0.050	0.110	0.246
-8	0.025	0.0250	0.025	0.052	0.219
-4	0.0170	0.0170	0.0170	0.040	0.212
0	0.0204	0.0204	0.0204	0.042	0.215
4	0.0418	0.0418	0.0418	0.062	0.238
8	0.072	0.072	0.082	0.127	0.274
12	0.118	0.128	0.168	0.268	0.318
16	0.171	0.194	0.289		0.363
20	0.247	0.3050			0.436
24	0.354	0.500		Not	0.512
28	0.493		Not	Defined	0.580
32	0.600	Not	Defined		0.642
36	0.660	Defined			0.698
40	0.705				0.748

**SUBSYSTEM NO. 4—XV-15 WING-PYLON AERODYNAMICS (Continued)**

Table 4-IV, XV-15 Wing-Pylon Drag Coefficient ( $C_{D_{WP}}$ ), Flap Setting,  
 $X_{FL2} = 20/12.5$ ,  $X_{FL3} = 40/25$ ,  $X_{FL4} = 75/47$

Mach Number, $M_N = 0 - 0.2$						
Flap Setting						
$X_{FL2} = 20/12.5$		$X_{FL3} = 40/25$		$X_{FL4} = 75/47$		
Mast Angle, $\beta_m$						
$\alpha_w$	90 deg	0 deg	90 deg	0 deg	90 deg	0 deg
-100	--	1.45	--	1.33	--	0.88
-90	--	1.57	1.18	1.44	1.145	0.90
-80	--	1.45	1.10	1.33	1.050	0.878
-70	1.0	1.15	0.93	1.12	0.89	0.822
-60	0.78	0.91	0.705	0.91	0.67	0.740
-50	0.62	0.75	0.565	0.75	0.507	0.640
-40	0.50	0.59	0.430	0.54	0.450	0.550
-36	0.40	0.53	0.335	0.468	0.400	0.525
-32	0.32	0.48	0.245	0.405	0.350	0.500
-28	0.23	0.42	0.180	0.352	0.309	0.480
-24	0.17	0.36	0.130	0.310	0.278	0.462
-20	0.11	0.33	0.090	0.282	0.260	0.450
-16	0.07	0.28	0.065	0.263	0.243	0.440
-12	0.05	0.253	0.058	0.253	0.246	0.445
-8	0.033	0.26	0.076	0.267	0.282	0.485
-4	0.044	0.26	0.106	0.307	0.330	0.536

(Continued on next page)

SUBSYSTEM NO. 4—XV-15 WING-PYLON AERODYNAMICS (Continued)

Table 4-IV, XV-15 Wing-Pylon Drag Coefficient ( $C_{D_{WP}}$ ), Flap Setting,  $X_{FL2} = 20/12.5$ ,  $X_{FL3} = 40/25$ ,  $X_{FL4} = 75/47$  (Continued)

Mach Number, $M_N = 0 - 0.2$						
Flap Setting						
$X_{FL2} = 20/12.5$		$X_{FL3} = 40/25$		$X_{FL4} = 75/47$		
Mast Angle, $\beta_m$						
$\alpha_W$	90 deg	0 deg	90 deg	0 deg	90 deg	0 deg
0	0.072	0.3	0.141	0.345	0.372	0.580
4	0.109	0.32	0.186	0.394	0.424	0.636
8	0.157	0.37	0.243	0.453	0.492	0.706
12	0.227	0.43	0.322	0.537	0.580	0.778
16	0.29	0.48	0.404	0.589	0.667	0.814
20	0.38	0.53	0.528	0.630	0.730	0.839
24	0.51	0.63	0.630	0.690	0.790	0.880
28	0.61	0.70	0.710	0.748	0.838	0.920
32	0.70	0.75	0.764	0.800	0.883	0.955
36	0.75	0.78	0.805	0.845	0.950	0.985
40	0.79	0.83	0.865	0.888	1.025	1.015

**SUBSYSTEM NO. 4—XV-15 WING-PYLON AERODYNAMICS (Continued)**

Table 4-IV, XV-15 Wing-Pylon Drag Coefficient ( $C_{D_{WP}}$ ), Flap Setting,  
 $X_{FL1} = 0/0$ ,  $X_{FL2} = 20/12.5$ ,  $X_{FL3} = 40/25$ ,  $X_{FL4} = 75/47$  (Continued)

Mast Angle, $\beta_m = 0$ deg				
Mach Number, $M_N = 0 - 0.2$				
Flap Setting				
$\alpha_W$	$X_{FL1} = 0/0$	$X_{FL2} = 20/12.5$	$X_{FL3} = 40/25$	$X_{FL4} = 75/47$
-180	0.3	0.4	0.45	0.5
-170	0.4	0.5	0.58	0.6
-160	0.55	0.6	0.65	0.67
-150	0.65	0.7	0.71	0.72
-140	0.75	0.75	0.77	0.77
-130	0.82	0.8	0.8	0.8
-120	0.86	0.91	0.91	0.83
-110	0.92	1.15	1.12	0.86
-100	0.95	1.45	1.33	0.88
-90	0.96	1.57	1.44	0.9
-80	0.93	1.45	1.33	0.878
-70	0.91	1.15	1.12	0.822
-60	0.86	0.91	0.91	0.74
-50	0.78	0.75	0.75	0.64
-40	0.685	0.59	0.54	0.55
(same as Tables 4-III and 4-IV between $\pm 40$ deg)				

**SUBSYSTEM NO. 4—XV-15 WING-PYLON AERODYNAMICS (Continued)**

Table 4-IV, XV-15 Wing-Pylon Drag Coefficient ( $C_{D_{WP}}$ ), Flap Setting,  
 $X_{FL1} = 0/0$ ,  $X_{FL2} = 20/12.5$ ,  $X_{FL3} = 40/25$ ,  $X_{FL4} = 75/47$  (Concluded)

Mast Angle, $\beta_m = 0$ deg				
Mach Number, $M_N = 0 - 0.2$				
Flap Setting				
$\alpha_W$	$X_{FL1} = 0/0$	$X_{FL2} = 20/12.5$	$X_{FL3} = 40/25$	$X_{FL4} = 75/47$
40	0.748	0.83	0.888	1.015
50	0.9	0.91	0.97	1.04
60	1.0	0.98	1.04	1.045
70	1.07	1.05	1.06	1.05
80	1.12	1.09	1.08	1.055
90	1.15	1.12	1.09	1.06
100	1.13	1.1	1.07	1.05
110	1.1	1.08	1.05	1.02
120	1.05	1.06	1.02	0.99
130	1.0	1.02	1.0	0.96
140	0.95	0.98	0.96	0.92
150	0.85	0.88	0.87	0.84
160	0.7	0.74	0.78	0.8
170	0.5	0.55	0.62	0.7
180	0.3	0.4	0.45	0.5

SUBSYSTEM NO. 4—XV-15 WING-PYLON AERODYNAMICS (Continued)

Table 4-V(a), XV-15 Wing Wake Deflection on Horizontal Stabilizer ( $\epsilon_{W/HOGE}$ ),  $\beta_m = 90$  deg

Mast Angle, $\beta_m = 90$ degrees				
Mach Number, $M_N = 0 - 0.2$				
Flap Setting				
$\alpha_W$	$X_{FL1} = 0/0$	$X_{FL2} = 20/12.5$	$X_{FL3} = 40/25$	$X_{FL4} = 75/47$
-90	0	0	0	0
-16	0	0	0	0
-12	0	0.45	0.95	0.95
-8	0.06	1.25	2.54	2.54
-4	1.32	2.60	3.92	3.92
0	2.58	4.08	5.40	5.40
4	3.84	5.35	6.88	6.88
8	5.10	6.60	8.26	8.26
12	5.90	7.40	8.90	8.90
16	6.30	7.55	8.80	8.80
20	6.00	6.70	7.30	7.30
24	4.00	4.40	4.80	4.80
28	0	0	0	0
90	0	0	0	0

SUBSYSTEM NO. 4—XV-15 WING-PYLON AERODYNAMICS (Continued)

Table 4-V(b), XV-15 Wing Wake Deflection on Horizontal Stabilizer ( $\epsilon_{W/HOGE}$ ),  $\beta_m = 60$  deg

Mast Angle, $\beta_m = 60$ degrees				
Mach Number, $M_N = 0 - 0.2$				
Flap Setting				
$\alpha_W$	$X_{FL1} = 0/0$	$X_{FL2} = 20/12.5$	$X_{FL3} = 40/25$	$X_{FL4} = 75/47$
-90	0	0	0	0
-16	0	0	0	0
-12	0	0	0	0
-8	0	0.9	1.78	1.78
-4	1.2	2.25	3.38	3.38
0	2.6	3.80	4.98	4.98
4	4.0	5.30	6.58	6.58
8	5.2	6.80	8.18	8.18
12	6.4	7.80	9.2	9.2
16	6.8	8.20	9.5	9.5
20	6.3	7.40	8.4	8.4
24	4.1	4.80	5.5	5.5
28	0	0	0	0
90	0	0	0	0



SUBSYSTEM NO. 4—XV-15 WING-PYLON AERODYNAMICS (Continued)

Table 4-V(c), XV-15 Wing Wake Deflection on Horizontal Stabilizer ( $\epsilon_{W/HOGE}$ ),  $\beta_m = 30$  deg

Mast Angle, $\beta_m = 30$ degrees				
Mach Number, $M_N = 0 - 0.2$				
Flap Setting				
$\alpha_W$	$X_{FL1} = 0/0$	$X_{FL2} = 20/12.5$	$X_{FL3} = 40/25$	$X_{FL4} = 75/47$
-90	0	0	0	0
-16	0	0	0	0
-12	0	0	0	0
-8	0	0.7	1.3	1.3
-4	1.18	2.1	2.9	2.9
0	2.70	3.6	4.5	4.5
4	4.22	5.2	6.1	6.1
8	5.74	6.7	7.7	7.7
12	7.0	7.9	8.9	8.9
16	7.3	8.2	9.1	9.1
20	6.7	7.4	8.1	8.1
24	4.1	4.8	5.5	5.5
28	0	0	0	0
90	0	0	0	0

SUBSYSTEM NO. 4—XV-15 WING-PYLON AERODYNAMICS (Continued)

Table 4-V(d), XV-15 Wing Wake Deflection on Horizontal Stabilizer ( $\epsilon_{W/HOGE}$ ),  $\beta_m = 15$  deg

Mast Angle, $\beta_m = 15$ degrees				
Mach Number, $M_N = 0 - 0.2$				
Flap Setting				
$\alpha_W$	$X_{FL1} = 0/0$	$X_{FL2} = 20/12.5$	$X_{FL3} = 40/25$	$X_{FL4} = 75/47$
-90	0	0	0	0
-16	0	0	0	0
-12	0	0.4	0.7	0.7
-8	0	1.2	2.4	2.4
-4	1.26	2.7	4.1	4.1
0	2.80	4.3	5.8	5.8
4	4.34	6.0	7.5	7.5
8	5.88	7.1	9.2	9.2
12	7.1	8.7	10.4	10.4
16	7.3	8.9	10.8	10.8
20	6.7	8.2	9.8	9.8
24	4.1	5.3	6.4	6.4
28	0	0	0	0
90	0	0	0	0

SUBSYSTEM NO. 4—XV-15 WING-PYLON AERODYNAMICS (Continued)

Table 4-V(e), XV-15 Wing Wake Deflection on Horizontal Stabilizer ( $\epsilon_{W/HOGE}$ ),  $\beta_m = 0$  deg

Mast Angle, $\beta_m = 0$ degrees				
Mach Number, $M_N = 0 - 0.2$				
Flap Setting				
$\alpha_W$	$X_{FL1} = 0/0$	$X_{FL2} = 20/12.5$	$X_{FL3} = 40/25$	$X_{FL4} = 75/47$
-90	0	0	0	0
-16	0	0	0	0
-12	0	0.8	1.47	1.47
-8	0.09	1.6	3.03	3.03
-4	1.62	3.1	4.59	4.59
0	3.15	4.7	6.15	6.15
4	4.68	6.2	7.71	7.71
8	6.21	7.8	9.27	9.27
12	7.1	8.5	9.8	9.8
16	7.5	8.6	9.7	9.7
20	7.0	7.5	8.0	8.0
24	4.8	4.9	5.0	5.0
28	0	0	0	0
90	0	0	0	0

**SUBSYSTEM NO. 4—XV-15 WING-PYLON AERODYNAMICS (Continued)**

Table 4-VI, XV-15 Wing-Pylon Rolling Moment,  $C_{l\beta} \Big|_{C_{L_{WP}} = M_N = 0}$ , 1/rad

		Flap Setting	
$\beta_m$ , deg	$X_{FL1} = 0/0$	$X_{FL2} = 20/12.5, X_{FL3} = 40/25, X_{FL4} = 75/47$	
0	-.012	-.136	
30	0.089	0.064	
60	0.078	0.034	
90	0.039	-.051	

Table 4-VII, XV-15 Wing-Pylon Rolling Moment,  $\frac{C_{l\beta}}{C_{L_{WP}}} \Big|_{M_N = 0}$ , 1/rad

		Flap Setting	
$\beta_m$ , deg	$X_{FL1} = 0/0$	$X_{FL2} = 20/12.5, X_{FL3} = 40/25, X_{FL4} = 75/47$	
0	0.09	0.09	
30	0	-.01	
60	-.02	0	
90	-.05	0	

SUBSYSTEM NO. 4—XV-15 WING-PYLON AERODYNAMICS (Continued)

Table 4-VIII, XV-15 Wing-Pylon Pitching Moment,  $C_{m_{WP}}$ , 1/rad

Flap Setting				
$\beta_m$ , deg	$X_{FL1} = 0/0$	$X_{FL2} = 20/12.5$	$X_{FL3} = 40/25$	$X_{FL4} = 75/47$
0	0.025	-.05	-.110	-.115
15	0.070	-.01	-.090	-.110
30	0.080	0.0	-.060	-.080
60	0.050	-.05	-.110	-.130
90	-.025	-.11	-.170	-.190

Table 4-IX, Partial of Wing Coefficient of Lift with Respect to

Angle of Attack,  $\left. \frac{\partial C_{L_{WPFS}}}{\partial \alpha_{WFS}} \right|_{C_{L_{WP}} = 0}$

Mach Number, $M_N < 0.2$				
Flap Setting				
$\beta_m$ , deg	$X_{FL1} = 0/0$	$X_{FL2} = 20/12.5$	$X_{FL3} = 40/25$	$X_{FL4} = 75/47$
0	0.057	0.0575	0.057	0.0563
90	0.0799	0.08	0.08	0.08

$$\left. \frac{\partial C_{L_{WPFS}}}{\partial \alpha_{WFS}} \right|_{C_{L_{WP}} = 0} = \frac{C_{L_1} - C_{L_2}}{\alpha_1 - \alpha_2}$$

SUBSYSTEM NO. 4—XV-15 WING-PYLON AERODYNAMICS (Continued)

Table 4-IX, Partial of Wing Coefficient of Lift with Respect to

Angle of Attack,  $\frac{\partial C_{L_{WPFS}}}{\partial \alpha_{WFS}} \Big|_{C_{L_{WP}}=0}$  (Concluded)

Flap Setting, $X_{FL1}$				
Mach Number, $M_N$				
$\beta_m$ , deg	$M_N = 0.2$	$M_N = 0.4$	$M_N = 0.5$	$M_N = 0.6$
90	0.0799	0.0837	0.0915	0.0988

Table 4-X, Wing Coefficient of Drag at Wing Coefficient of Lift Equal to Zero,  $C_{D_{OWP}} \Big|_{C_{L_{WP}}=0}$

Mach Number, $M_N < 0.2$				
Flap Setting				
$\beta_m$ , deg	$X_{FL1} = 0/0$	$X_{FL2} = 20/12.5$	$X_{FL3} = 40/25$	$X_{FL4} = 75/47$
0	0.2126	0.2512	0.256	0.442
90	0.0177	0.0419	0.058	0.243

$$C_{D_{OWP}} \Big|_{C_L=0} = C_{D_{\alpha_W C_L}} = C_{D_1} - \frac{(C_{D_1} - C_{D_2})(\alpha_1 - \alpha_W)}{(\alpha_1 - \alpha_2)}$$

$$\alpha_{W_{C_L=0}} = \alpha_1 - \frac{(\alpha_1 - \alpha_2)C_{L_1}}{(C_{L_1} - C_{L_2})}$$

SUBSYSTEM NO. 4—XV-15 WING-PYLON AERODYNAMICS (Continued)

Table 4-X, Wing Coefficient of Drag at Wing Coefficient of Lift Equal to Zero,  $C_{D_{oWP}} | C_{L_{WP}} = 0$  (Concluded)

Flap Setting, $X_{FL1}$				
Mach Number, $M_N$				
$\beta_m$ , deg	$M_N = 0.2$	$M_N = 0.4$	$M_N = 0.5$	$M_N = 0.6$
90	0.0177	0.0178	0.0179	0.0405

Table 4-XI, XV-15 Aileron Effectiveness Correction for Flap and Mast ( $K_{1\delta_a}$ ) for  $|\alpha_w| < 8$  deg

Flap Setting	Mast Angle, $\beta_m$	$K_{1\delta_a}^*$
$X_{FL1} = 0/0$	0 deg	0.68
	90 deg	1.00
$X_{FL2} = 20/12.5$	0 deg	0.67
	90 deg	0.88
$X_{FL3} = 40/25$	0 deg	0.66
	90 deg	0.73
$X_{FL4} = 75/47$	0 deg	0.45
	90 deg	0.34

For  $8 < \alpha_w < 25$  deg, interpolate straight line between values in table and zero; for  $\alpha_w > 25$  deg,  $K_{1\delta_a} = 0.0$

\*Straight line variation with mast angle.

**SUBSYSTEM NO. 4—XV-15 WING-PYLON AERODYNAMICS (Continued)**

Table 4-XII, XV-15 Aileron Effect on Wing Lift ( $C_{L\delta_a}$ )

Flap Setting	Mast Angle, $\beta_m$	$C_{L\delta_a}$ , 1/deg
$X_{FL1} = 0/0$	All	0.00316
$X_{FL2} = 20/12.5$	All	0.00396
$X_{FL3} = 40/25$	All	0.00476
$X_{FL4} = 75/47$	All	0.0

Table 4-XIII and 4-XIV, XV-15 Aileron Yaw Coefficient ( $C_{n\delta_a}$ )

$$C_{n\delta_a} = K_{no\delta_a} + (K_{n\delta_a})(C_{LWPFS})(C_{l\delta_a}), \text{ where:}$$

Flap Setting	Mast Angle, $\beta_m$	4-XIII $K_{no\delta_a}$	4-XIV $K_{n\delta_a}$
$X_{FL1} = 0/0$	0 deg	0.00046	-.61
	30 deg	0.00092	-.62
	90 deg	0.00143	-.415
$X_{FL2} = 20/12.5$	0 deg	0.00046	-.405
	30 deg	0.001005	-.20
	90 deg	0.00123	-.30
$X_{FL3} = 40/25$	0 deg	0.00046	-.24
	30 deg	0.00109	-.09
	90 deg	0.00103	-.24
$X_{FL4} = 75/47$	0 deg	-.00003	-.405
	30 deg	0.00035	-.087
	90 deg	0.00029	-.275



SUBSYSTEM NO. 4—XV-15 WING-PYLON AERODYNAMICS (Concluded)

Table 4-XV, Pylon Interference Drag Coefficient,  $D_{PYINT}$

Mast Angle, $\beta_m$	$D_{PYINT}$
-5.0	13.5
0.0	13.5
15.0	13.5
30.0	13.5
45.0	13.5
50.0	13.4
55.0	13.25
60.0	13.0
65.0	12.0
70.0	10.5
75.0	8.0
80.0	5.7
85.0	3.4
90.0	1.0

Table 4-XVI, Pylon Drag Factor with Sideslip,  $K_{PLAT}$

$\bar{\alpha}_{PYL}$	$K_{PLAT}$
0.0	0.0
10.0	0.04
20.0	0.1
30.0	0.5
40.0	0.95
45.0	1.0
90.0	1.0

**SUBSYSTEM NO. 5—XV-15 HORIZONTAL STABILIZER AERODYNAMICS**

<u>Constants</u>	<u>Values</u>
$SL_H$	560.0 in
$WL_H$	103.0 in
$S_H$	50.25 ft <sup>2</sup>
$c_H$	3.92 ft
$i_H$	0.0 deg
<u>Coefficients</u>	<u>Values</u>
$\tau_e$	0.518
$C_{LH\beta}$	-0.00422
$K_{HNU}$	0.8
$D_{WB}$	1.0
$C_{MHO}$	0.0
$C_{MHA}$	0.0 1/deg
$D_{Ke}$	0.24

Table 5-I, XV-15 Horizontal Stabilizer Lift Coefficient,  $C_{LH}$

Mach Number, $M_N = 0 - 0.2$							
Elevator Angle, $\delta_e$							
$\alpha_H, \text{deg}$	0 deg	-10 deg	-15 deg	-20 deg	10 deg	15 deg	20 deg
-180	0	-.40	-.60	-.80	0.40	0.60	0.80
-170	0.70	0.30	0.10	-.10	1.10	1.30	1.50
-160	0.60	0.28	0.08	-.10	0.95	1.13	1.30
-150	0.84	0.39	0.16	-.04	1.20	1.35	1.45
-140	0.98	0.48	0.20	0	1.38	1.49	1.60
-130	0.99	0.50	0.22	0.03	1.36	1.43	1.54
-120	0.86	0.46	0.20	0.04	1.15	1.23	1.30

(Continued on next page)

**SUBSYSTEM NO. 5—XV-15 HORIZONTAL STABILIZER AERODYNAMICS (Continued)**

Table 5-I, XV-15 Horizontal Stabilizer Lift Coefficient,  $C_{LH}$   
(Continued)

Mach Number, $M_N = 0 - 0.2$							
Elevator Angle, $\delta_e$							
$\alpha_H$ , deg	0 deg	-10 deg	-15 deg	-20 deg	10 deg	15 deg	20 deg
-110	0.66	0.38	0.16	0.04	0.90	0.96	1.00
-100	0.40	0.24	0.10	0.04	0.50	0.56	0.60
-90	0	0	0	0	0	0	0
-80	-.425	-.560	-.580	-.600	-.360	-.285	-.220
-70	-.720	-.865	-.890	-.920	-.600	-.490	-.380
-60	-.900	-1.060	-1.090	-1.120	-.770	-.640	-.510
-50	-1.002	-1.175	-1.205	-1.240	-.890	-.745	-.600
-40	-1.050	-1.240	-1.260	-1.300	-.960	-.800	-.640
-36	-1.04	-1.24	-1.26	-1.3	-.92	-.775	-.63
-32	-1.03	-1.23	-1.255	-1.29	-.89	-.735	-.60
-28	-1.010	-1.210	-1.240	-1.280	-.840	-.680	-.560
-24	-.980	-1.185	-1.220	-1.260	-.780	-.615	-.500
-20	-.930	-1.160	-1.198	-1.235	-.690	-.500	-.420
-18.4	-.920	-1.200	-1.210	-1.240	-.660	-.540	-.480
-17.5	-.930	-1.260	-1.250	-1.250	-.710	-.565	-.450
-16.8	-.990	-1.310	-1.290	-1.310	-.740	-.550	-.420
-16.0	-1.12	-1.40	-1.330	-1.330	-.710	-.510	-.380
-15.6	-1.10	-1.44	-1.380	-1.350	-.700	-.480	-.350
-14.2	-1.0082	-1.40	-1.55	-1.450	-.610	-.400	-.270
-12.5	-.8875	-1.31	-1.49	-1.60	-.480	-.280	-.150
-12	-.852	-1.26025	-1.464375	-1.60318	-.44375	-.239625	-.10082

(Continued on next page)

**SUBSYSTEM NO. 5—XV-15 HORIZONTAL STABILIZER AERODYNAMICS (Continued)**

Table 5-I, XV-15 Horizontal Stabilizer Lift Coefficient,  $C_{LH}$   
(Continued)

Mach Number, $M_N = 0 - 0.2$							
Elevator Angle, $\delta_e$							
$\alpha_H$ , deg	0 deg	-10 deg	-15 deg	-20 deg	10 deg	15 deg	20 deg
8	0.568	0.15975	-.044375	-.18318	0.97625	1.180375	1.31918
12.0	0.852	0.44375	0.239625	0.10082	1.250	1.420	1.500
12.2	0.8662	0.45795	0.253825	0.11502	1.270	1.430	1.480
13.0	0.923	0.51475	0.310625	0.17182	1.30	1.370	1.450
15.0	1.0	0.650	0.450	0.290	1.200	1.270	1.360
16.0	0.98	0.690	0.475	0.320	1.160	1.240	1.320
16.8	0.94	0.700	0.490	0.340	1.150	1.200	1.320
18.0	0.89	0.680	0.500	0.370	1.130	1.220	1.340
20	0.88	0.600	0.465	0.380	1.180	1.280	1.380
24	0.935	0.660	0.455	0.330	1.300	1.380	1.440
28	1.00	0.730	0.500	0.380	1.370	1.440	1.500
32	1.05	0.780	0.540	0.400	1.430	1.490	1.540
36	1.08	0.820	0.560	0.410	1.470	1.535	1.570
40	1.10	0.840	0.570	0.410	1.510	1.560	1.590
50	1.09	0.83	0.56	0.36	1.50	1.56	1.59
60	0.88	0.63	0.45	0.29	1.15	1.22	1.26
70	0.62	0.42	0.30	0.20	0.78	0.80	0.83
80	0.34	0.21	0.16	0.10	0.40	0.41	0.42
90	0	0	0	0	0	0	0
100	-.40	-.50	-.56	-.60	-.24	-.10	-.04

(Continued on next page)

SUBSYSTEM NO. 5—XV-15 HORIZONTAL STABILIZER AERODYNAMICS (Continued)

Table 5-I, XV-15 Horizontal Stabilizer Lift Coefficient,  $C_{LH}$   
(Concluded)

Mach Number, $M_N = 0 - 0.2$							
Elevator Angle, $\delta_e$							
$\alpha_H$ , deg	0 deg	-10 deg	-15 deg	-20 deg	10 deg	15 deg	20 deg
110	-.66	-.90	-.96	-1.00	-.38	-.16	-.04
120	-.86	-1.15	-1.23	-1.30	-.46	-.20	-.04
130	-.99	-1.36	-1.43	-1.45	-.50	-.22	-.03
140	-.98	-1.38	-1.49	-1.60	-.48	-.20	0
150	-.84	-1.20	-1.35	-1.45	-.39	-.16	0.04
160	-.60	-.95	-1.13	-1.30	-.28	-.08	0.10
170	-.70	-1.10	-1.30	-1.50	-.30	-.10	0.10
180	0	-.40	-.60	-.80	0.40	0.60	0.80

SUBSYSTEM NO. 5—XV-15 HORIZONTAL STABILIZER AERODYNAMICS (Continued)

Table 5-II, XV-15 Horizontal Stabilizer Lift Coefficient,  $C_{LH}$

Elevator Angle, $\delta_e = 0$ deg				
Mach Number, $M_N$				
$\alpha_H$ , deg	0 - 0.2	0.4	0.5	0.6
-40.0	Use values from Table 5-I for $\delta_e=0$ deg from -180 to 180 deg	-1.1	Not Defined	Not Defined
-36.0		-1.09		
-32.0		-1.04		
-28.0		-1.0	-0.8	-0.79
-24.0		-0.9		
-20.0		-0.93	-0.85	-0.8
-18.0		-0.97	-0.91	-0.87
-16.0		-1.02	-0.94	-0.9
-14.0		-0.98	-0.88	-0.86
-12.0		-0.93	-0.78	-0.75
-10.0		-0.775	-0.656	-0.63
-8.0		-0.62	-0.492	-0.528
-6.0		-0.465	-0.328	-0.352
-4.0		-0.31	-0.164	-0.176
-2.0		-0.155	0.0	0.0
0.0		0.0	0.155	0.164
2.0		0.155	0.31	0.328
4.0		0.31	0.465	0.492
6.0		0.465	0.62	0.656
8.0		0.62	0.775	0.78
10.0	0.775	0.93	0.88	
12.0	0.93		0.86	

(Continued on next page)

SUBSYSTEM NO. 5—XV-15 HORIZONTAL STABILIZER AERODYNAMICS (Continued)

Table 5-II, XV-15 Horizontal Stabilizer Lift Coefficient,  $C_{LH}$   
(Concluded)

Elevator Angle, $\delta_e = 0$ deg				
Mach Number, $M_N$				
$\alpha_H$ , deg	0 - 0.2	0.4	0.5	0.6
14.0	Use values from Table 5-I for $\delta_e = 0$ deg from -180 to 180 deg	0.98	0.94	0.9
16.0		1.02	0.91	0.87
18.0		0.97	0.85	0.8
20.0		0.93	0.8	0.79
24.0		0.9		
28.0		1.0	Not	Not
32.0		1.04	Defined	Defined
36.0		1.09		
40.0	1.1			

SUBSYSTEM NO. 5—XV-15 HORIZONTAL STABILIZER AERODYNAMICS (Continued)

Table 5-III, XV-15 Horizontal Stabilizer Drag Coefficient,  $C_{DH}$

Elevator Angle, $\delta_e = 0$ deg				
Mach Number, $M_N$				
$\alpha_H$ , deg	0 - 0.2	0.4	0.5	0.6
-180	0.01			
-170	0.02			
-160	0.20			
-150	0.40			
-140	0.55			
-130	0.67			
-120	0.78			
-110	0.85			
-100	0.89			
-90	0.92	Not		
-80	0.91	Defined	Not	
-70	0.87		Defined	Not
-60	0.81			Defined
-50	0.72			
-40	0.60			
-36	0.54			
-32	0.47			
-28	0.39			
-24	0.30			
-20	0.20			
-16	0.115	0.135		
-12	0.068	0.068	0.088	
-8	0.035	0.035	0.035	0.045
-4	0.015	0.015	0.015	0.015

(Continued on the next page)



SUBSYSTEM NO. 5—XV-15 HORIZONTAL STABILIZER AERODYNAMICS (Continued)

Table 5-III, XV-15 Horizontal Stabilizer Drag Coefficient,  $C_{DH}$   
(Concluded)

Elevator Angle, $\delta_e = 0$ deg				
Mach Number, $M_N$				
$\alpha_H$ , deg	0 - 0.2	0.4	0.5	0.6
0	0.00875	0.00875	0.00875	0.00875
4	0.015	0.015	0.015	0.015
8	0.035	0.035	0.045	0.065
12	0.068	0.075	0.105	
16	0.115	0.145		
20	0.20			
24	0.34			
28	0.48			
32	0.61			
36	0.72			
40	0.80			
50	0.93			Not
60	1.05		Not	Defined
70	1.14	Not	Defined	
80	1.18	Defined		
90	1.20			
100	1.19			
110	1.14			
120	1.06			
130	0.96			
140	0.80			
150	0.60			
160	0.36			
170	0.02			
180	0.01			

SUBSYSTEM NO. 5—XV-15 HORIZONTAL STABILIZER AERODYNAMICS (Continued)

Table 5-IV, XV-15 Elevator/Rudder Effectiveness ( $\tau_e/\tau_r$ ) Correction for Mach Number Effects,  $X_{Ke}$ ,  $X_{Kr}$

Mach Number, $M_N$	$X_{Ke}$ or $X_{Kr}$
0.0	1.0
0.2	1.0
0.4	0.965
0.5	0.95
0.6	0.93
0.7	0.90

SUBSYSTEM NO. 5—XV-15 HORIZONTAL STABILIZER AERODYNAMICS (Continued)

Table 5-V(a), XV-15 Dynamic Pressure Ratio at the Horizontal and Vertical Stabilizers ( $\eta_H$  or  $\eta_V$ ),  $\beta_m = 0$  deg, Rotors ON

Mast Angle, $\beta_m = 0$ deg						
Velocity, $V_T$ , kts						
$\alpha_F$ , deg	0	20	40	60	80	> 100
-180	1.0	1.0	1.0	1.0	1.0	1.0
-40	1.0	1.0	1.0	1.0	1.0	1.0
-30	1.0	1.17	1.08	1.0	0.92	0.935
-28	1.0	1.20	1.12	1.0	0.92	0.935
-24	1.0	1.40	1.21	1.0	0.92	0.935
-20	1.0	1.70	1.43	1.05	0.93	0.935
-16	1.0	1.90	1.67	1.18	0.96	0.935
-12	1.0	2.08	1.80	1.37	1.0	0.935
-8	1.0	2.20	1.88	1.54	1.25	0.935
-4	1.0	2.20	1.80	1.52	1.23	0.935
0	1.0	2.07	1.70	1.35	1.05	0.935
4	1.0	1.90	1.60	1.10	1.0	0.935
8	1.0	1.70	1.46	1.00	0.93	0.935
12	1.0	1.55	1.30	0.90	0.86	0.86
16	1.0	1.37	1.05	0.82	0.80	0.80
20	1.0	1.20	0.93	0.80	0.80	0.72
30	1.0	1.0	1.0	1.0	1.0	1.0
180	1.0	1.0	1.0	1.0	1.0	1.0

SUBSYSTEM NO. 5—XV-15 HORIZONTAL STABILIZER AERODYNAMICS (Continued)

Table 5-V(b), XV-15 Dynamic Pressure Ratio at the Horizontal and Vertical Stabilizers ( $\eta_H$  or  $\eta_V$ ),  $\beta_m = 15$  deg, Rotors ON

Mast Angle, $\beta_m = 15$ deg						
Velocity, $V_T$ , kts						
$\alpha_F$ , deg	0	20	40	60	80	> 100
-180	1.0	1.0	1.0	1.0	1.0	1.0
-40	1.0	1.0	1.0	1.0	1.0	1.0
-30	1.0	1.24	1.1	0.97	0.92	0.935
-28	1.0	1.37	1.14	0.98	0.90	0.935
-24	1.0	1.54	1.24	0.99	0.88	0.935
-20	1.0	1.80	1.35	1.0	0.87	0.935
-16	1.0	2.0	1.52	1.03	0.87	0.935
-12	1.0	2.2	1.63	1.08	0.92	0.935
-8	1.0	2.38	2.04	1.15	0.97	0.935
-4	1.0	2.44	2.24	1.25	1.0	0.935
0	1.0	2.42	2.25	1.3	1.05	0.935
4	1.0	2.36	2.0	1.23	1.06	0.935
8	1.0	2.23	1.8	1.15	1.05	0.935
12	1.0	2.0	1.6	1.06	1.03	0.935
16	1.0	1.8	1.4	1.0	0.97	0.935
20	1.0	1.6	1.2	0.92	0.9	0.80
30	1.0	1.0	1.0	1.0	1.0	1.0
180	1.0	1.0	1.0	1.0	1.0	1.0

SUBSYSTEM NO. 5—XV-15 HORIZONTAL STABILIZER AERODYNAMICS (Continued)

Table 5-V(c), XV-15 Dynamic pressure Ratio at the Horizontal and Vertical Stabilizers ( $\eta_H$  or  $\eta_V$ ),  $\beta_m = 30, 60, 90$  deg, Rotors ON

Velocity, $V_T$ , > 100 kts			
Mast Angle, $\beta_m$ , deg			
$\alpha_F$ , deg	30	60	90
-180	1.0	1.0	1.0
-40	1.0	1.0	1.0
-30	1.0	1.0	1.0
-28	1.0	1.0	1.0
-24	1.0	1.0	1.0
-20	1.0	1.0	1.0
-16	1.0	1.0	1.0
-12	1.0	1.05	1.0
-8	1.0	1.05	1.0
-4	1.0	1.05	1.0
0	1.0	1.05	1.0
4	1.0	1.05	1.0
8	1.0	1.05	1.0
12	1.0	1.05	1.0
16	1.0	1.05	1.0
20	0.8	0.8	0.8
30	1.0	1.0	1.0
180	1.0	1.0	1.0

SUBSYSTEM NO. 5—XV-15 HORIZONTAL STABILIZER AERODYNAMICS (Concluded)

Table 5-VI, Dynamic Pressure Loss Factor Due to Fuselage Sideslip Angle for the Horizontal and Vertical Stabilizers,  $K_{\beta HS}$  or  $K_{\beta VS}$

Sideslip Angle ( $\beta_F$ ), deg	$K_{\beta HS}$ or $K_{\beta VS}$
0	1.0
±5	0.996
±10	0.985
±15	0.966
±20	0.94
±30	0.866
±45	0.707
±60	0.5

Table 5-VII, Mach Number Effect on the Downwash Term ( $\partial \epsilon_{W/H} / \partial \alpha_W$ ), PCPM

Mach Number, $M_N$	PCPM
0.0	0.0799
0.2	0.0799
0.4	0.0856
0.5	0.0905
0.6	0.0994

**SUBSYSTEM NO. 6—XV-15 VERTICAL FIN AERODYNAMIC DATA**

<u>Constants</u>	<u>Values</u>
NVSTAB	2
SL <sub>V1</sub>	570.02 in
WL <sub>V1</sub>	-115.69 in
BL <sub>V1</sub>	77.0 in
SL <sub>V2</sub>	570.02 in
WL <sub>V2</sub>	115.69 in
BL <sub>V2</sub>	77.0 in
S <sub>V1</sub>	20.25 ft <sup>2</sup>
S <sub>V2</sub>	20.25 ft <sup>2</sup>
i <sub>V1</sub>	0.0 deg
i <sub>V2</sub>	0.0 deg
BL <sub>CG</sub>	0.0 in
SL <sub>SP</sub>	300.0 in
BL <sub>SP</sub>	193.0 in
l <sub>m</sub>	4.667 ft
R	12.5 ft
b <sub>W</sub>	32.17 ft

<u>Coefficients</u>	<u>Values</u>
$\tau_r$	0.27
$\partial\sigma/\partial\hat{p}$	-0.1
$\partial\sigma/\partial\hat{r}$	0.0
K <sub>VNU</sub>	1.0
a <sub>V</sub>	3.02522 1/rad
D <sub>Kr</sub>	0.24

SUBSYSTEM NO. 6—XV-15 VERTICAL FIN AERODYNAMIC DATA (Continued)

Data Tables

Table 6-I, XV-15 Vertical Stabilizer Lift Coefficient ( $C_{YV}$ )

Mach Number, $M_N = 0 - 0.2$					
Rudder Angle, $\delta_r$					
$\beta_V$ , deg	0 deg	15 deg	20 deg	-15 deg	-20 deg
-180	0	0.20	0.33	-.20	-.33
-170	0.53	0.73	0.86	0.33	0.20
-160	0.60	0.70	0.80	0.50	0.40
-150	0.72	0.82	0.92	0.62	0.52
-140	0.79	0.89	0.98	0.70	0.60
-130	0.77	0.86	0.97	0.69	0.60
-120	0.64	0.73	0.81	0.57	0.49
-110	0.47	0.55	0.60	0.44	0.37
-100	0.24	0.30	0.31	0.23	0.20
-90	0	0	0	0	0
-80	-.40	-.33	-.28	-.41	-.42
-70	-.64	-.57	-.52	-.67	-.70
-60	-.84	-.77	-.72	-.90	-.91
-50	-.99	-.92	-.88	-1.05	-1.07
-40	-1.0	-.96	-.92	-1.07	-1.11
-32	-.93	-.86	-.74	-1.06	-1.08
-28	-.94	-.77	-.68	-1.08	-1.1
-26	-.98	-.76	-.71	-1.1	-1.12
-24	-1.03	-.77	-.72	-1.12	-1.16
-22	-1.05	-.77	-.71	-1.17	-1.22

(Continued on next page)



SUBSYSTEM NO. 6—XV-15 VERTICAL FIN AERODYNAMIC DATA (Continued)

Table 6-I, XV-15 Vertical Stabilizer Lift Coefficient ( $C_{YV}$ )  
(Continued)

Mach Number, $M_N = 0 - 0.2$					
Rudder Angle, $\delta_r$					
$\beta_V$ , deg	0 deg	15 deg	20 deg	-15 deg	-20 deg
-20	-1.05	-.73	-.67	-1.25	-1.3
-18	-.96	-.655	-.5616	-1.265	-1.3584
-16	-.86	-.555	-.4616	-1.165	-1.2584
-12	-.635	-.330	-.2366	-.94	-1.0334
-8	-.425	-.12	-.0266	-.73	-.8234
8	0.425	0.73	0.8234	0.12	0.0266
12	0.635	0.94	1.0334	0.33	0.2366
16	0.86	1.165	1.2584	0.555	0.4616
18	0.96	1.265	1.3584	0.655	0.5616
20	1.05	1.25	1.3	0.73	0.67
22	1.05	1.17	1.22	0.77	0.71
24	1.03	1.12	1.16	0.77	0.72
26	0.98	1.1	1.12	0.76	0.71
28	0.94	1.08	1.1	0.77	0.68
32	0.93	1.06	1.08	0.86	0.74
40	1.0	1.07	1.11	0.96	0.92
50	0.99	1.05	1.07	0.92	0.88
60	0.84	0.90	0.91	0.77	0.72
70	0.64	0.67	0.70	0.57	0.52
80	0.40	0.41	0.42	0.33	0.28
90	0	0	0	0	0

(Continued on next page)

SUBSYSTEM NO. 6—XV-15 VERTICAL FIN AERODYNAMIC DATA (Continued)

Table 6-I, XV-15 Vertical Stabilizer Lift Coefficient ( $C_{YV}$ )  
(Concluded)

Mach Number, $M_N = 0 - 0.2$					
Rudder Angle, $\delta_r$					
$\beta_V$ , deg	0 deg	15 deg	20 deg	-15 deg	-20 deg
100	-.24	-.23	-.20	-.30	-.31
110	-.47	-.44	-.37	-.55	-.60
120	-.64	-.57	-.49	-.73	-.81
130	-.77	-.69	-.60	-.86	-.97
140	-.79	-.70	-.60	-.89	-.98
150	-.72	-.62	-.52	-.82	-.92
160	-.60	-.50	-.40	-.70	-.80
170	-.53	-.33	-.20	-.73	-.86
180	0	0.20	0.33	-.20	-.33

SUBSYSTEM NO. 6—XV-15 VERTICAL FIN AERODYNAMIC DATA (Continued)

Table 6-II, XV-15 Vertical Stabilizer Lift Coefficient ( $C_{YV}$ )

Rudder Angle, $\delta_r = 0$ deg				
Mach Number, $M_N$				
$\beta_V$ , deg	0 - 0.2	0.4	0.5	0.6
-40.0		-1.0		
-36.0		-.99	Not	Not
-32.0		-.97	defined	defined
-28.0		-.9		
-24.0	Use	-.83		
-20.0	values	-.84	-.7	-.35
-18.0	from	-.85	-.73	-.375
-16.0	Table 6-I	-.83	-.75	-.4
-14.0	for	-.775	-.73	-.425
-12.0	$\delta_r=0$ deg	-.696	-.7	-.45
-10.0	from	-.58	-.61	-.47
-8.0	-180 to	-.464	-.488	-.45
-6.0	180 deg	-.348	-.366	-.396
-4.0		-.232	-.244	-.264
-2.0		-.116	-.122	-.132
0.0		0.0	0.0	0.0
2.0		0.116	0.122	0.132
4.0		0.232	0.244	0.264
6.0		0.348	0.366	0.396
8.0		0.464	0.488	0.45
10.0		0.58	0.61	0.47
12.0		0.696	0.7	0.45

(Continued on next page)

SUBSYSTEM NO. 6—XV-15 VERTICAL FIN AERODYNAMIC DATA (Continued)

Table 6-II, XV-15 Vertical Stabilizer Lift Coefficient ( $C_{YV}$ )  
(Concluded)

Rudder Angle, $\delta_r = 0$ deg				
Mach Number, $M_N$				
$\beta_V$ , deg	0 - 0.2	0.4	0.5	0.6
14.0	Use values from Table 6-I for $\delta_r=0$ deg from -180 to 180 deg	0.775	0.73	0.425
16.0		0.83	0.75	0.4
18.0		0.85	0.73	0.375
20.0		0.84	0.7	0.35
24.0		0.83		
28.0		0.9	Not defined	Not defined
32.0		0.97		
36.0		0.99		
40.0	1.0			

SUBSYSTEM NO. 6—XV-15 VERTICAL FIN AERODYNAMIC DATA (Continued)

Table 6-III, XV-15 Vertical Stabilizer Drag Coefficient ( $C_{DV}$ )

Rudder Angle, $\delta_r = 0$ deg				
Mach Number, $M_N$				
$\beta_V$ , deg	0 - 0.2	0.4	0.5	0.6
-180	0.0071			
-170	0.03			
-160	0.60			
-150	0.88			
-140	1.13			
-130	1.30			
-120	1.43			
-110	1.51			
-100	1.58	Not		
-90	1.60	Defined	Not	Not
-80	1.58		Defined	Defined
-70	1.52			
-60	1.45			
-50	1.34			
-40	1.20			
-32	1.1			
-28	0.87			
-24	0.58			
-20	0.324			
-16	0.160	0.33		
-12	0.080	0.15	0.20	0.32
-8	0.024	0.044	0.07	0.12
-4	0.014	0.014	0.015	0.02

(Continued on next page)

SUBSYSTEM NO. 6—XV-15 VERTICAL FIN AERODYNAMIC DATA (Continued)

Table 6-III, XV-15 Vertical Stabilizer Drag Coefficient ( $C_{DV}$ ) (Concluded)

Rudder Angle, $\delta_r = 0$ deg				
Mach Number, $M_N$				
$\beta_V$ , deg	0 - 0.2	0.4	0.5	0.6
0	0.0071	0.0071	0.0071	0.0071
4	0.014	0.014	0.015	0.02
8	0.024	0.044	0.07	0.12
12	0.08	0.15	0.20	0.32
16	0.16	0.33		
20	0.324			
24	0.58			
28	0.87			
32	1.1			
40	1.2			
50	1.34			
60	1.45			
70	1.52			
80	1.58		Not	Not
90	1.60	Not	Defined	Defined
100	1.58	Defined		
110	1.51			
120	1.43			
130	1.30			
140	1.13			
150	0.88			
160	0.60			
170	0.03			
180	0.0071			

SUBSYSTEM NO. 6—XV-15 VERTICAL FIN AERODYNAMIC DATA (Continued)

Table 6-IV, XV-15 Sidewash Factor  $(1 - \frac{\partial \sigma}{\partial \beta_F})$  for Flap Setting,  
 $X_{FL1} = 0/0$

		Flap Setting, deg, $X_{FL1} = 0/0$					
		Sideslip Angle, $ \beta_F $ , deg					
$\beta_m$ , deg	$\alpha_F$ , deg	0 & 4	8	12	16	20 - 50	> 50
0	<-10.0	1.0	1.0	1.0	1.0	1.0	1.0
	-3.0	1.1	1.05	1.015	0.985	1.01	1.0
	0	1.038	1.044	0.965	0.933	1.0	1.0
	7.0	0.863	0.810	0.772	0.787	0.958	1.0
	13.0	0.524	0.517	0.474	0.491	0.673	1.0
	> 28.0	1.0	1.0	1.0	1.0	1.0	1.0
30	<-10.0	1.0	1.0	1.0	1.0	1.0	1.0
	-3.0	1.13	1.072	0.97	1.025	1.0	1.0
	0	1.248	1.093	0.977	1.015	1.056	1.0
	7.0	0.995	0.961	0.865	0.845	0.953	1.0
	13.0	0.677	0.595	0.523	0.526	0.681	1.0
	> 28.0	1.0	1.0	1.0	1.0	1.0	1.0
60	<-10.0	1.0	1.0	1.0	1.0	1.0	1.0
	-3.0	1.15	1.05	1.0	1.06	1.1	1.0
	0	1.21	1.08	0.975	1.02	1.025	1.0
	7.0	0.945	0.975	0.9	0.88	0.92	1.0
	13.0	0.69	0.645	0.585	0.59	0.7	1.0
	> 28.0	1.0	1.0	1.0	1.0	1.0	1.0
90	<-10.0	1.0	1.0	1.0	1.0	1.0	1.0
	-3.0	1.09	1.10	1.18	1.15	1.04	1.0
	0	1.0	1.0	1.0	1.0	1.0	1.0
	7.0	0.834	0.865	0.866	0.842	0.924	1.0
	13.0	0.659	0.676	0.622	0.642	0.680	1.0
	> 28.0	1.0	1.0	1.0	1.0	1.0	1.0

SUBSYSTEM NO. 6—XV-15 VERTICAL FIN AERODYNAMIC DATA (Continued)

Table 6-V, XV-15 Sidewash Factor  $(1 - \frac{\partial \sigma}{\partial \beta_F})$  for Flap Setting,  
 $X_{FL2} = 20/12.5$

		Flap Setting, deg, $X_{FL2} = 20/12.5$					
		Sideslip Angle, $ \beta_F $ , deg					
$\beta_m$ , deg	$\alpha_F$ , deg	0 & 4	8	12	16	20 - 50	> 50
0	<-10.0	1.0	1.0	1.0	1.0	1.0	1.0
	-3.0	1.2	1.15	1.10	1.05	1.04	1.0
	0	1.12	1.10	1.05	0.98	1.0	1.0
	7.0	0.89	0.87	0.80	0.80	0.90	1.0
	13.0	0.55	0.55	0.45	0.57	0.68	1.0
	> 28.0	1.0	1.10	1.0	1.0	1.0	1.0
30	<-10.0	1.0	1.0	1.0	1.0	1.0	1.0
	-3.0	1.10	1.06	1.02	1.075	1.03	1.0
	0	1.17	1.10	1.02	1.06	1.055	1.0
	7.0	1.01	0.95	0.92	0.86	0.92	1.0
	13.0	0.775	0.70	0.575	0.50	0.684	1.0
	> 28.0	1.0	1.0	1.0	1.0	1.0	1.0
60	<-10.0	1.0	1.0	1.0	1.0	1.0	1.0
	-3.0	1.05	1.04	1.05	1.08	1.08	1.0
	0	1.10	1.075	0.98	1.04	1.05	1.0
	7.0	0.98	0.98	1.00	0.92	0.91	1.0
	13.0	0.80	0.75	0.70	0.60	0.73	1.0
	> 28.0	1.0	1.0	1.0	1.0	1.0	1.0
90	<-10.0	1.0	1.0	1.0	1.0	1.0	1.0
	-3.0	1.08	1.11	1.17	1.12	1.04	1.0
	0	0.99	1.08	1.05	1.02	1.04	1.0
	7.0	0.90	0.95	0.95	0.91	0.98	1.0
	13.0	0.75	0.71	0.72	0.67	0.70	1.0
	> 28.0	1.0	1.0	1.0	1.0	1.0	1.0



SUBSYSTEM NO. 6—XV-15 VERTICAL FIN AERODYNAMIC DATA (Continued)

Table 6-VI, XV-15 Sidewash Factor  $(1 - \frac{\partial \sigma}{\partial \beta_F})$  for Flap Setting,  
 $X_{FL3} = 40/25$

		Flap Setting, deg, $X_{FL3} = 40/25$					
		Sideslip Angle, $ \beta_F $ , deg					
$\beta_m$ , deg	$\alpha_F$ , deg	0 & 4	8	12	16	20 - 50	> 50
0	←-10.0	1.0	1.0	1.0	1.0	1.0	1.0
	-3.0	1.315	1.26	1.185	1.1	1.059	1.0
	0	1.228	1.208	1.12	1.045	1.0	1.0
	7.0	0.89	0.91	0.86	0.809	0.86	1.0
	13.0	0.535	0.59	0.396	0.443	0.678	1.0
	> 28.0	1.0	1.0	1.0	1.0	1.0	1.0
30	←-10.0	1.0	1.0	1.0	1.0	1.0	1.0
	-3.0	1.065	1.027	1.055	1.14	1.055	1.0
	0	1.1	1.115	1.058	1.12	1.065	1.0
	7.0	1.025	0.935	0.972	0.882	0.86	1.0
	13.0	0.884	0.82	0.629	0.456	0.689	1.0
	> 28.0	1.0	1.0	1.0	1.0	1.0	1.0
60	←-10.0	1.0	1.0	1.0	1.0	1.0	1.0
	-3.0	1.02	1.03	1.08	1.117	1.04	1.0
	0	0.945	1.07	0.998	1.05	1.09	1.0
	7.0	1.03	0.985	1.015	0.95	0.908	1.0
	13.0	0.915	0.9	0.8	0.61	0.745	1.0
	> 28.0	1.0	1.0	1.0	1.0	1.0	1.0
90	←-10.0	1.0	1.0	1.0	1.0	1.0	1.0
	-3.0	1.07	1.121	1.16	1.072	1.04	1.0
	0	0.984	1.15	1.09	1.05	1.064	1.0
	7.0	0.982	1.035	1.03	0.993	1.015	1.0
	13.0	0.842	0.74	0.77	0.695	0.725	1.0
	> 28.0	1.0	1.0	1.0	1.0	1.0	1.0

SUBSYSTEM NO. 6—XV-15 VERTICAL FIN AERODYNAMIC DATA (Continued)

Table 6-VII, XV-15 Sidewash Factor  $(1 - \frac{\partial \sigma}{\partial \beta_F})$  for Flap Setting,  $X_{FL4} = 75/47$

		Flap Setting, deg, $X_{FL4} = 75/47$					
		Sideslip Angle, $ \beta_F $ , deg					
$\beta_m$ , deg	$\alpha_F$ , deg	0 & 4	8	12	16	20 - 50	> 50
0	<-10.0	1.0	1.0	1.0	1.0	1.0	1.0
	-3.0	1.8	1.22	1.155	1.105	1.048	1.0
	0	1.128	1.185	1.125	1.045	1.01	1.0
	7.0	0.846	0.99	0.948	0.92	0.862	1.0
	13.0	0.535	0.65	0.44	0.51	0.65	1.0
	> 28.0	1.0	1.0	1.0	1.0	1.0	1.0
30	<-10.0	1.0	1.0	1.0	1.0	1.0	1.0
	-3.0	1.05	1.072	1.14	1.135	1.08	1.0
	0	0.979	1.01	1.105	1.1	1.035	1.0
	7.0	0.82	0.862	0.998	0.986	0.932	1.0
	13.0	0.65	0.72	0.7	0.52	0.78	1.0
	> 28.0	1.0	1.0	1.0	1.0	1.0	1.0
60	<-10.0	1.0	1.0	1.0	1.0	1.0	1.0
	-3.0	1.025	1.085	1.15	1.115	1.075	1.0
	0	0.915	1.005	1.1	1.1	1.04	1.0
	7.0	0.855	0.90	1.015	0.955	0.995	1.0
	13.0	0.73	0.8	0.8	0.61	0.82	1.0
	> 28.0	1.0	1.0	1.0	1.0	1.0	1.0
90	<-10.0	1.0	1.0	1.0	1.0	1.0	1.0
	-3.0	1.058	1.15	1.145	1.075	1.04	1.0
	0	1.0	1.12	1.12	1.05	1.088	1.0
	7.0	0.905	1.005	1.03	0.99	1.028	1.0
	13.0	0.782	0.76	0.72	0.66	0.71	1.0
	> 28.0	1.0	1.0	1.0	1.0	1.0	1.0

SUBSYSTEM NO. 6—XV-15 VERTICAL FIN AERODYNAMIC DATA (Concluded)

Table 6-VIII, XV-15 Rotor Sidewash Factor ( $K_{\beta R}$ )

Velocity, $V_T$ , kts	Sideslip Angle, $\beta_F$ , deg						
	0	$\pm 5$	$\pm 10$	$\pm 15$	$\pm 20$	$\pm 25$	$\pm 30$
0	1.0	1.0	1.0	1.0	1.0	1.0	1.0
20	1.0	1.0	1.0	1.0	1.0	1.0	1.0
40	-.5	0.25	0.80	1.25	1.5	1.0	1.0
60	0.2	0.40	0.80	1.1	1.4	1.0	1.0
80	0.5	0.60	0.80	1.0	1.2	1.0	1.0
100	0.75	0.80	0.80	1.0	1.0	1.0	1.0
120	1.0	1.0	1.0	1.0	1.0	1.0	1.0
350	1.0	1.0	1.0	1.0	1.0	1.0	1.0

SUBSYSTEM NO. 7A—XV-15 LANDING GEAR

<u>Constants</u>	<u>Value</u>
BL <sub>CG</sub>	0.0 in
SL <sub>G1</sub>	139.0 in
SL <sub>G2,3</sub>	326.0 in
WL <sub>G1</sub>	4.95 in
WL <sub>G2,3</sub>	8.25 in
BL <sub>G1</sub>	0.0 in
BL <sub>G2,3</sub>	51.25 in
$\delta_{B_n \text{MIN}}$	0.1 rad
K <sub>B<sub>n</sub></sub>	-10 ft/sec <sup>2</sup> -rad
A <sub>MAX</sub>	-5 ft/sec <sup>2</sup>
g	32.2 ft/sec <sup>2</sup>
T <sub>DN</sub> (VAX version)	7.0 sec
T <sub>UP</sub> (VAX version)	10.0 sec
<u>Coefficients</u>	<u>Value</u>
DPOD	1.15 ft <sup>2</sup>
G <sub>A<sub>1</sub></sub>	100.0 lb-sec/ft
G <sub>A<sub>2,3</sub></sub>	775.0 lb-sec/ft
G <sub>B<sub>n</sub></sub>	0.0 lb-sec/ft <sup>3</sup>
G <sub>C<sub>1</sub></sub>	175.0 lb/ft <sup>4</sup>
G <sub>C<sub>2,3</sub></sub>	325.0 lb/ft <sup>4</sup>
$\mu_{S_n}$	0.03
$\mu_{G_n}$	0.5
$\mu_{RF}$	0.015

**SUBSYSTEM NO. 7A—XV-15 LANDING GEAR**  
**(Continued)**

Data Tables

Table 7A-I, Landing Gear Drag as a Percent of Gear Extension

**NOTE:** The VAX/VMS version of the mathematical model uses data in this data table format and not the format of Tables 7A-II and 7A-III (only aerodynamics of the landing gear are simulated in the VAX/VMS version).

Percent (%) Gear Extension	Nose Gear Drag, ft <sup>2</sup>	Main Gear Drag, ft <sup>2</sup>
0.0	0.0	0.0
10.0	0.28	1.04
20.0	0.48	1.38
30.0	0.5	1.5
40.0	0.62	1.9
50.0	0.74	2.26
60.0	0.82	2.54
70.0	0.9	2.76
80.0	0.96	2.92
90.0	1.0	2.98
100.0	1.0	3.0

**SUBSYSTEM NO. 7A—XV-15 LANDING GEAR  
(Continued)**

Table 7A-II, Main Landing Gear Drag as a Function of Landing Gear Position ( $D_{MG}$ )

Cycle Time, sec	Main Gear Drag During Extension ( $D_{OMGD}$ ), $ft^2$	Main Gear Drag During Retraction ( $D_{OMGU}$ ), $ft^2$
0.0	0.0	3.0
0.5	0.9	3.0
1.0	1.25	3.0
1.5	1.4	2.95
2.0	1.5	2.9
2.5	1.8	2.83
3.0	2.2	2.75
3.5	2.4	2.65
4.0	2.6	2.55
4.5	2.73	2.4
5.0	2.85	2.3
5.5	2.95	2.13
6.0	3.0	1.9
6.5	3.0	1.7
7.0	3.0	1.5
7.5	3.0	1.5
8.0	3.0	1.4
8.5	3.0	1.25
9.0	3.0	1.05
9.5	3.0	0.75
10.0	3.0	0.0

**SUBSYSTEM NO. 7A—XV-15 LANDING GEAR**  
(Continued)

Table 7A-III, Nose Landing Gear Drag as a Function of Landing Gear Position ( $D_{NG}$ )

Cycle Time, sec	Nose Gear Drag During Extension ( $D_{\text{ONGD}}$ ), $\text{ft}^2$	Nose Gear Drag During Retraction ( $D_{\text{ONGU}}$ ), $\text{ft}^2$
0.0	0.0	1.0
0.5	0.25	1.0
1.0	0.4	1.0
1.5	0.5	1.0
2.0	0.5	0.98
2.5	0.6	0.95
3.0	0.7	0.9
3.5	0.75	0.85
4.0	0.8	0.8
4.5	0.85	0.77
5.0	0.9	0.73
5.5	0.95	0.7
6.0	0.98	0.65
6.5	1.0	0.6
7.0	1.0	0.5
7.5	1.0	0.5
8.0	1.0	0.5
8.5	1.0	0.4
9.0	1.0	0.3
9.5	1.0	0.2
10.0	1.0	0.0

SUBSYSTEM NO. 7A—XV-15 LANDING GEAR  
(Concluded)

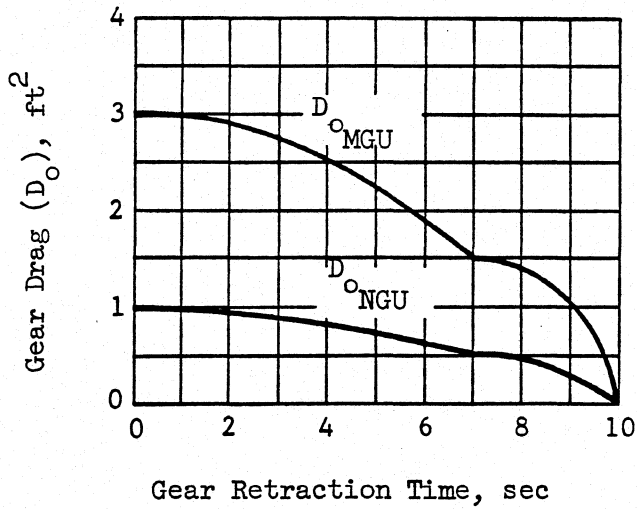
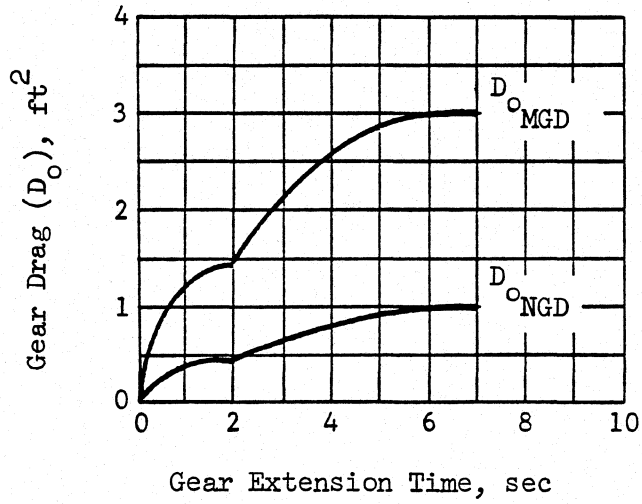


Figure B7A-1. Landing Gear Drag as a Function of Landing Gear Position



**SUBSYSTEM NO. 7B—XV-15 LANDING GEAR**

<u>Constants</u>	<u>Value</u>
$BL_{CG}$	0.0 in
$SL_{G1}$	139.0 in
$SL_{G2,3}$	326.0 in
$WL_{G1}$	4.95 in
$WL_{G2,3}$	8.25 in
$BL_{G1}$	0.0 in
$BL_{G2,3}$	51.25 in
$Z_{TIRE_n}$	0.1 ft

<u>Coefficients</u>	<u>Values</u>
$G_{1_1}$	7800
$G_{1_{2,3}}$	24000
$G_{2_1}$	15.32
$G_{2_{2,3}}$	14.877
$\mu_0$	0.015
$\mu_1$	0.014
$\mu_{S_1}$	0.075
$\mu_{S_{2,3}}$	0.15
DPOD	1.15 ft <sup>2</sup>

Data Tables

See Subsystem 7A, Tables 7A-II and 7A-III

SUBSYSTEM NO. 8a—XV-15 CONTROLS

<u>Constants</u>	<u>Value</u>
COLRATE	0.2 deg/sec
$\Delta\theta_{OLIM}$	$\pm 0.5$ deg
PBMAX	90.0 deg
PBMIN	-5.0 deg
$\delta_{B1}$	1.5 deg
$X_{LNN}$	4.8 in
$X_{LTN}$	4.8 in
$X_{PDN}$	2.5 in
<u>Coefficients</u>	<u>Value</u>
$\partial\delta_e/\partial X_{LN}$	4.167 deg/in
$\partial\delta_r/\partial X_{PD}$	8.0 deg/in
$\partial\delta_a/\partial X_{LT}$	3.93 deg/in
$\partial\delta_F/\partial t$	4.0 deg/sec
$w_n$	2.0 rad/sec
$\zeta_D$	0.7

SUBSYSTEM NO. 8a—XV-15 CONTROLS (Continued)

Data Tables

Table 8a-I, XV-15 F/A Cyclic Pitch to Longitudinal Stick

Gearing,  $\left(\frac{\partial B_1}{\partial X_{LN}}\right)$

Mast Angle, $\beta_m$ , deg	$\frac{\partial B_1}{\partial X_{LN}}$ , deg/in
0	2.1
10	2.09
20	1.98
30	1.81
40	1.60
50	1.35
60	1.04
70	0.71
80	0.362
90	0

- NOTES: 1.  $X_{LN} = \pm 4.8$  in (from center position)  
 2.  $B_1 = 10.0625$  deg at  $\beta_m = 0$  deg

SUBSYSTEM NO. 8a—XV-15 CONTROLS (Continued)

Table 8a-II, XV-15 Differential Cyclic Pitch Gearing,  $\left(\frac{\partial B_1}{\partial X_{PD}}\right)$

$\frac{\partial B_1}{\partial X_{PD}}$ , deg/in			
U, KCAS			
Mast Angle, $\beta_m$ , deg	0 - 60	80	> 100
0	1.6	1.04	0.40
10	1.58	1.025	0.394
20	1.51	0.975	0.375
30	1.39	0.90	0.345
40	1.225	0.795	0.305
50	1.035	0.67	0.257
60	0.803	0.52	0.200
70	0.55	0.325	0.137
80	0.28	0.18	0.069
90	0	0	0

- NOTES: 1.  $X_{PD} = \pm 2.5$  in (from center position)
2.  $\Delta B_1 = \pm 4.0$  deg at 0 - 60 KCAS  
 $\Delta B_1 = \pm 2.6$  deg at 80 KCAS  
 $\Delta B_1 = \pm 1.0$  deg at 100 KCAS

SUBSYSTEM NO. 8a—XV-15 CONTROLS (Continued)

Table 8a-III, XV-15 Differential Collective Pitch Gearing,  $\left(\frac{\partial \theta_o}{\partial X_{LT}}\right)$

Mast Angle, $\beta_m$ , deg	$\frac{\partial \theta_o}{\partial X_{LT}}$ , deg/in
0	0.625
10	0.606
20	0.575
30	0.541
40	0.50
50	0.438
60	0.365
70	0.293
80	0.209
90	0.121

- NOTES: 1.  $X_{LT} = \pm 4.8$  in (from center position)  
 2.  $\Delta \theta_o = \pm 3$  deg at  $\beta_m = 0$  deg

SUBSYSTEM NO. 8a—XV-15 CONTROLS (Continued)

Table 8a-IV, XV-15 Collective Pitch Gearing,  
 $(\frac{\partial \theta_o}{\partial X_{COL}}; \theta_{oLL}$  at 0.75 R)

Mast Angle, $\beta_m$ , deg	$\frac{\partial \theta_o}{\partial X_{COL}}$ , deg/in	$\theta_{oLL}$ at 0.75 R, deg
0	1.6	-2.3
10	1.5	-1.0
20	1.35	1.0
30	1.13	4.0
40	0.92	7.0
50	0.71	10.2
60	0.52	13.5
70	0.34	16.7
80	0.15	19.5
90	0	21.3

SUBSYSTEM NO. 8a—XV-15 CONTROLS (Continued)

Table 8a-V, XV-15 Commanded Pylon Conversion Rate,  $\dot{\beta}_{mC}$

Mast Angle, $\beta_m$ , deg	Conversion Rate, $\dot{\beta}_{mC}$ , deg/sec	
	Present Low Rate	Original High Rate Rigging
-5	2.73 <sup>(1)</sup>	3.0 <sup>(1)</sup>
0	2.73 <sup>(1)</sup>	3.0 <sup>(1)</sup>
2	2.73 <sup>(1)</sup>	3.0 <sup>(1)</sup>
2.5	7.83 <sup>(2)</sup>	15.0 <sup>(2)</sup>
10	7.83	14.25
20	7.83	13.3
30	7.83	12.45
40	7.83	11.7
50	7.83	11.4
60	7.83	11.4
70	7.83	11.63
80	7.83	12.5
87	7.83 <sup>(2)</sup>	14.0 <sup>(2)</sup>
87.5	1.96 <sup>(1)</sup>	2.8 <sup>(1)</sup>
90	1.96 <sup>(1)</sup>	2.8 <sup>(1)</sup>

NOTES: 1. When conversion starts at mast angle of -5, 0, or 90;  $\dot{\beta} = 2.73$  or 1.96. When conversion stops at mast angle of -5, 0, or 90;  $\dot{\beta}_m = 0$ .

2.  $\Delta t$  from quarter rate to maximum rate;  $\Delta t = 0.05$  sec.

SUBSYSTEM NO. 8a--XV-15 CONTROLS (Continued)

Table 8a-VI, XV-15 Collective Rigging Versus Throttle Rigging,  $X_{COL}$  versus  $X_{THR,L}$

Collective Rigging, $X_{COL}$ , in	Throttle Rigging, $X_{THR,L}$ , deg
0	42.25
0.5	47.5
1.0	51.5
1.5	56.0
2.0	58.25
2.5	61.0
3.0	63.25
3.5	66.0
4.0	68.25
4.5	70.5
5.0	73.0
5.5	75.5
6.0	78.0
6.5	80.5
7.0	83.25
7.5	86.0
8.0	90.0
8.5	94.0
9.0	98.0
9.5	102.0
10.0	105.0



SUBSYSTEM NO. 8a—XV-15 CONTROLS (Continued)

Table 8a-VII, XV-15 Mast Angle Versus Flapping Controller Gain,  $\beta_m$  versus  $A_{1B_m}$

Mast Angle, $\beta_m$ , deg	Flapping Controller Gain, $A_{1B_m}$
0	1.0
15	1.0
30	1.0
45	0.92
60	0.707
75	0.384
90	0

Table 8a-VIII, XV-15 U Velocity Versus Flapping Controller Gain, U versus  $A_{1V_T}$

U Velocity, U, KCAS	Flapping Controller Gain, $A_{1V_T}$
0	0
20	0
40	-4
60	-4
80	-4
100	-4
400	-4

**SUBSYSTEM NO. 8b—XV-15 FORCE FEEL SYSTEM**

<u>Coefficients</u>	<u>Values</u>
$G_{LNO}$	3.5 lb/in
$G_{LN1}$	0.108 lb/in/psf
$K_{LN}$	11.25 lb/in
$\zeta_{LN}$	0.85
$H_{LN}$	2.85 lb
$G_{LT0}$	1.0 lb/in
$G_{LT1}$	0.023 lb/in/psf
$K_{LT}$	3.5 lb/in
$\zeta_{LT}$	0.85
$H_{LT}$	3.75 lb
$G_{PDO}$	5.0 lb/in
$G_{PD1}$	0.167 lb/in/psf
$\zeta_{PD}$	0.85
$H_{PD}$	8.8 lb
$H_{RUD}$	0.37 ft <sup>2</sup> /in
$F_{ACT_{RUD_{LIM}}}$	45.0 lb
$\dot{x}_{LNT0}$	1.0 in/sec
$\dot{x}_{LNT1}$	-0.00262 in/sec/psf
$\dot{x}_{LTT0}$	1.0 in/sec
$\dot{x}_{LTT1}$	-0.00262 in/sec/psf
$\dot{x}_{PDT0}$	0.5 in/sec
$\dot{x}_{PDT1}$	-0.00131 in/sec/psf
$\dot{x}_{LNT0}$ (FSS OFF)	0.25 in/sec

SUBSYSTEM NO. 8c—XV-15 CONTROL FORCE TRIM SYSTEM

<u>Coefficients</u>	<u>Values</u>
$\dot{X}_{LNT0}$	1.0 in/sec
$\dot{X}_{LNT1}$	-0.00262 in/sec/psf
$\dot{X}_{LTT0}$	1.0 in/sec
$\dot{X}_{LTT1}$	-0.00262 in/sec/psf
$\dot{X}_{PDT0}$	0.5 in/sec
$\dot{X}_{PDT1}$	-0.00131 in/sec/psf

SUBSYSTEM NO. 9—XV-15 CG AND INERTIA

Constants	Values
$W_P$	4200.0 lb
GW	13000.0 lb
$SL_{SP}$	300.0 in
$SL_P$	291.7 in
$WL_{SP}$	100.0 in
$WL_P$	118.0 in
$SL_{CG}   \beta_m = 0$	300.0 in
$WL_{CG}   \beta_m = 0$	81.65 in
$l_m$	4.667 ft
$I_{XX}   \beta_m = 0$	52795.0 slug-ft <sup>2</sup>
$I_{YY}   \beta_m = 0$	21360.0 slug-ft <sup>2</sup>
$I_{ZZ}   \beta_m = 0$	66335.0 slug-ft <sup>2</sup>
$I_{XZ}   \beta_m = 0$	1234.0 slug-ft <sup>2</sup>
$L_N$	1.65 ft
$I_{PYL}$	500.0 slug-ft <sup>2</sup>
$\lambda_{PYL}$	66.0 deg
Coefficients	Values
$K_{I1}$	20.5 slug-ft <sup>2</sup> /deg
$K_{I2}$	11.24 slug-ft <sup>2</sup> /deg
$K_{I3}$	9.26 slug-ft <sup>2</sup> /deg
$K_{I4}$	1.76 slug-ft <sup>2</sup> /deg

SUBSYSTEM NO. 10a—XV-15 AXES TRANSFORMATION (AIRFRAME AERODYNAMIC FORCES  
AND MOMENTS FROM WIND TO BODY AXIS)

<u>Constants</u>	<u>Values</u>
NVSTAB	2

SUBSYSTEM NO. 10b—XV-15 AXES TRANSFORMATION (ROTOR FORCES AND  
MOMENTS FROM WIND TO BODY AXIS)

<u>Constants</u>	<u>Values</u>
$\phi_m$	1.0 deg

SUBSYSTEM NO. 10f—XV-15 AXES TRANSFORMATION  
(GROUND REFERENCE DIFFERENCE)

<u>Constants</u>	<u>Values</u>
$X_0$	user specified, ft
$Y_0$	user specified, ft
$H_0$	user specified, ft
$WL_{G2}$	8.25 in
$GRD_{ALT}$	user specified, ft

SUBSYSTEM NO. 11--XV-15 ANGULAR ACCELERATIONS AND VELOCITIES

<u>Constants</u>	<u>Values</u>
SL <sub>PA</sub>	215.25 in
BL <sub>PA</sub>	16.5 in
WL <sub>PA</sub>	82.0 in
BL <sub>CG</sub>	0.0 in
m	403.7 slugs



SUBSYSTEM NO. 12—XV-15 BODY AXIS LINEAR ACCELERATION AND VELOCITIES

<u>Constants</u>	<u>Value</u>
GW	13000.0 lbs <sup>2</sup>
m	403.7 slugs
U <sub>o</sub>	user specified, ft
V <sub>o</sub>	user specified, ft
W <sub>o</sub>	user specified, ft
g	32.2 ft/sec <sup>2</sup>

SUBSYSTEM NO. 13—XV-15 FORCE SUMMATION

<u>Constants</u>	<u>Values</u>
NVSTAB	2

SUBSYSTEM NO. 14—XV-15 MOMENT SUMMATION

<u>Constants</u>	<u>Values</u>
BL <sub>CG</sub>	0.0 in
SL <sub>F</sub>	293.0 in
WL <sub>F</sub>	84.0 in
SL <sub>WP</sub>	291.7 in
WL <sub>WP</sub>	95.85 in
SL <sub>H</sub>	560.0 in
WL <sub>H</sub>	103.0 in
SL <sub>MG</sub>	324.0 in
WL <sub>MG</sub>	7.4 in
SL <sub>NG</sub>	139.0 in
WL <sub>NG</sub>	4.95 in
SL <sub>V(i)</sub>	570.02 in
BL <sub>V(1)</sub>	-77.0 in
BL <sub>V(2)</sub>	77.0 in
WL <sub>V(i)</sub>	115.69 in
SL <sub>SP</sub>	300.0 in
BL <sub>SP</sub>	193.0 in
WL <sub>SP</sub>	100.0 in
l <sub>m</sub>	4.667 ft
R	12.5 ft
φ <sub>m</sub>	1.0 deg
NVSTAB	2

SUBSYSTEM NO. 14—XV-15 MOMENT SUMMATION (Concluded)

<u>Coefficients</u>	<u>Values</u>
$l_{G0}$	-7506.0 ft-lb/deg
$l_{G1}$	23366.0 ft-lb/deg
$l_{G2}$	-20134.0 ft-lb/deg
$l_{G3}$	5290.0 ft-lb/deg
$l_{G4}$	-0.1 sec/ft
GELLIM	1.6386
GEULIM	0.5
$M_{G1}$	-0.9 ft
$M_{G2}$	-2.6
$M_{G3}$	-0.08 sec/ft

SUBSYSTEM NO. 15—XV-15 FLIGHT ENVIRONMENT GROUP

<u>Constants</u>	<u>Values</u>
$T_o$	288.15 deg K
$\rho_o$	0.0023769 slug-ft <sup>3</sup>

SUBSYSTEM NO. 17—XV-15 ROTOR COLLECTIVE GOVERNOR

<u>Constants</u>	<u>Values</u>
$\theta_{ERR\_LIM}$	0.84 deg
$\theta_{FCP\_LIM}$	5.0 deg
$P_{SRG}$	500.0 lb/in <sup>2</sup>
$K_{1RGA}$	9.5
$K_{2RGA}$	0.487
$K_{3RGA}$	492.1
$K_{4RGA}$	6.2
$RPM_{P\_MAX}$	601.0 RPM
$K_{RPM}$	0.98 (98 percent)
THOGMX	33.5 deg
THOGMN	-5.0 deg

<u>Coefficients</u>	<u>Values</u>
$\theta_{INT_1}$	11.3

SUBSYSTEM NO. 17—XV-15 ROTOR COLLECTIVE GOVERNOR (Concluded)

Data Tables

Table 17-I, XV-15 Mast Angle Versus Rotor Collective Governor Proportional Gain,  $\beta_m$  versus  $K_{PROG}$

Mast Angle, $\beta_m$ , deg	Rotor Collective Governor Integral Gain, $K_{PROG}$
0.0	0.5
15.0	0.41666
30.0	0.3333
45.0	0.25
60.0	0.1666
75.0	0.08333
90.0	0.0

Table 17-II, XV-15 Mast Angle Versus Rotor Collective Governor Integral Gain,  $\beta_m$  versus  $K_{INTG}$

Mast Angle, $\beta_m$ , deg	Rotor Collective Governor Integral Gain, $K_{INTG}$
0.0	0.1
15.0	0.1
30.0	0.1
45.0	0.1
60.0	0.1
75.0	0.1
90.0	0.1

**SUBSYSTEM NO. 18—XV-15 ENGINES AND FUEL CONTROLS**

<u>Constants</u>	<u>Values</u>
$P_o$	2116.22 lb/ft <sup>2</sup>
$T_o$	288.15 deg K
RPME	1.0
$SHP_{ACC}$	10.0 SHP
$\eta_{XMSN}$	0.93

<u>Coefficients</u>	<u>Values</u>
$K_1$	-0.94
$K_2$	1.94
$K_3$	0.0
$K_4$	13100.0 RPM
$K_5$	235.0 RPM/SHP
$K_6$	475.0 SHP
$K_7$	288.16 deg K
$K_{11}$	0.0032 1/deg K
$K_{12}$	0.875 1/deg K
$K_{13}$	0.00125 1/deg K
$K_{14}$	0.0 deg K
$K_{15}$	0.0 1/kts
$K_{18}$	1400.0 SHP
$\Delta\epsilon_p$	0.002
$\Delta\epsilon_s$	0.002
$T_D$	0.0 sec
pctmxs	6.0 percent
pctmxp	6.0 percent
$RPM_{NII}$	22200 rad/sec
$X_{E1,2}$	{ 1.0 engine operating 0.0 engine not operating



SUBSYSTEM NO. 18—XV-15 ENGINES AND FUEL CONTROLS (Continued)

Data Tables

Table 18-I, XV-15 Throttle Versus Power Rigging,  $X_{THR}$  versus  $R_{SHP}$

Throttle, $X_{THR}$	Power Rigging, $R_{SHP}$	
	S/N 703	S/N 702
42	105	127
45	120	140
50	160	183
55	235	263
60	320	355
65	430	473
70	560	613
75	718	783
80	890	968
85	1070	1160
90	1250	1355
95	1390	1505
100	1520	1645
105	1622	1755

**SUBSYSTEM NO. 18—XV-15 ENGINES AND FUEL CONTROLS (Continued)**

Table 18-II, XV-15 Engine RAM Effect

Velocity, $V_T$ , kt	Engine Ram Effect, $K_{RAM}$
0	0.00
50	0.003
100	0.017
150	0.04
200	0.07
250	0.118
300	0.193

Table 18-III, T-53 (LTCIK-4K) Engine Acceleration Characteristics

$(SHP/\delta\sqrt{\theta})_{AVG}$	$(\Delta SHP/\delta\sqrt{\theta})/\Delta t$
127.0	100.0
350.0	600.0
500.0	945.0
560.0	1040.0
630.0	1120.0
720.0	1170.0
850.0	1200.0
950.0	1185.0
1050.0	1150.0
1300.0	1000.0
1500.0	835.0
1750.0	550.0

SUBSYSTEM NO. 18—XV-15 ENGINES AND FUEL CONTROLS (Continued)

Table 18-IV, XV-15 Jet Thrust Coefficients

Velocity, $V_T$ , kts	Jet Thrust Coefficient, $K_{JT1}$ , lb	Jet Thrust Coefficient, $K_{JT2}$ , lb/SHP
0	16	0.084
100	-17	0.063
200	-57	0.045
300	-100	0.030

SUBSYSTEM NO. 18—XV-15 ENGINES AND FUEL CONTROLS (Concluded)

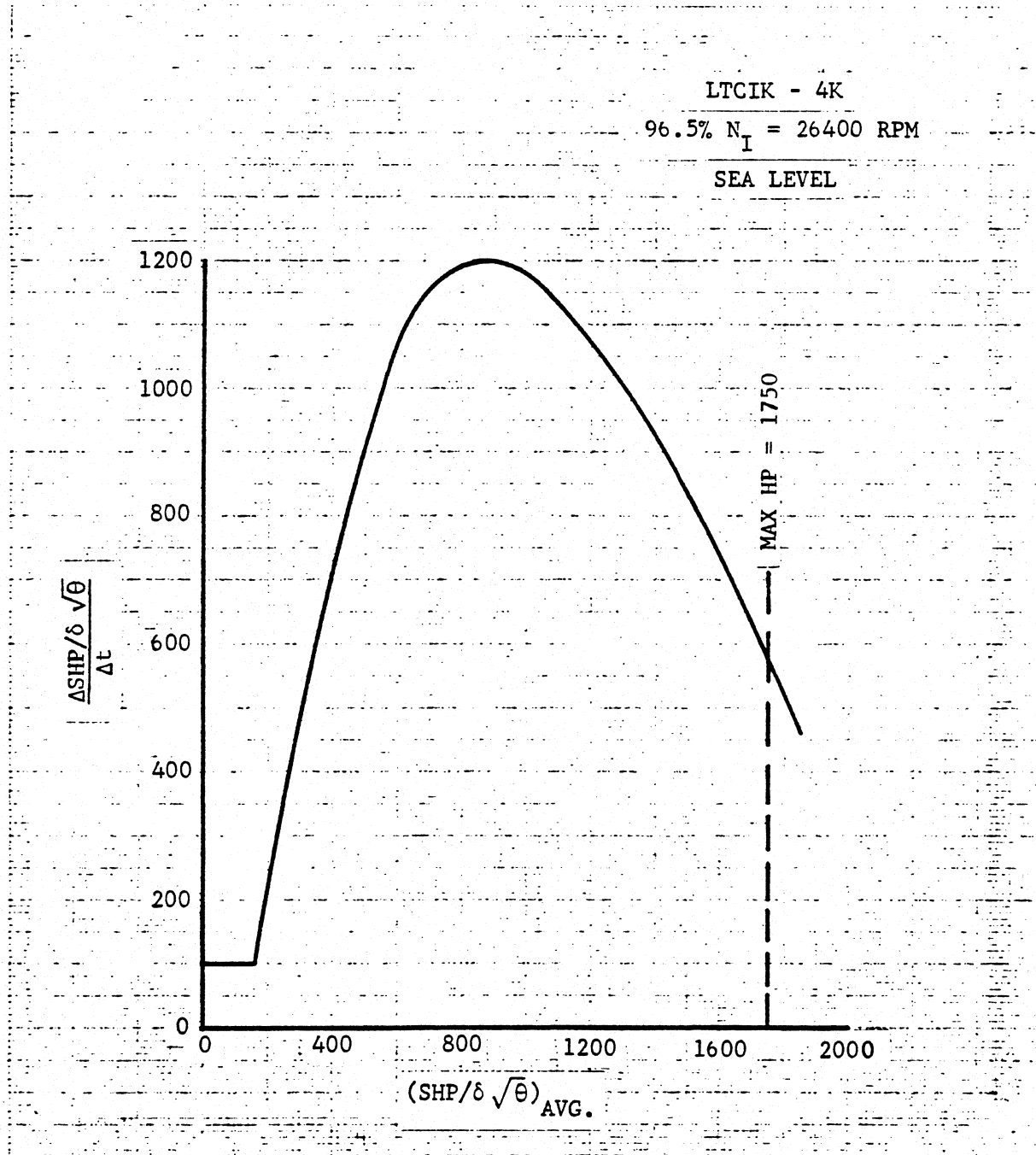


Figure B18-1. T53 Engine Acceleration Characteristics

SUBSYSTEM NO. 19—XV-15 DRIVE SYSTEM

<u>Constants</u>	<u>Values</u>
$I_1$	824 slug-ft <sup>2</sup>
$\theta_{RPT_1}$	35.133
$\theta_{INT_1}$	11.3

SUBSYSTEM NO. 20—XV-15 STABILITY AND CONTROL AUGMENTATION SYSTEM

Constants	Values
Ames Research Center Modified Pitch SCAS	
$\tau_{1P}$	0.3 sec
$\tau_{2P}$	3.0 sec
$\tau_q$	0.3 sec
$K_{1P}, \beta_m = 0$	0.6 in/in
$K_{1P}, \beta_m = 90$	-1.0 in/in
$K_{2P}, \beta_m = 0$	0.921 in/deg/sec
$K_{2P}, \beta_m = 90$	0.386 in/deg/sec
$K_{3P}, \beta_m = 0$	0.107 in/deg/sec
$K_{3P}, \beta_m = 90$	0.0 in/deg/sec
$K_{4P}, \beta_m = 0$	-7.5 deg/sec/in
$K_{4P}, \beta_m = 90$	-7.5 deg/sec/in
$K_{5P}, \beta_m = 0$	0.2 in/deg
$K_{5P}, \beta_m = 90$	0.2 in/deg
$K_{7P}, \beta_m = 0$	0.092 in/deg/sec
$K_{7P}, \beta_m = 90$	0.059 in/deg/sec
PSCAS <sub>MX</sub>	$\pm 1.078$ in

SUBSYSTEM NO. 20—XV-15 STABILITY AND CONTROL AUGMENTATION SYSTEM  
(Continued)

Constants	Values
Ames Research Center Modified Roll SCAS	
$\tau_{1R}$	0.3 sec
$\tau_{2R}$	3.0 sec
$\tau_p$	0.3 sec
$K_{1R}, \beta_m = 0$	1.0 in/in
$K_{1R}, \beta_m = 90$	1.0 in/in
$K_{2R}, \beta_m = 0$	0.535 in/deg/sec
$K_{2R}, \beta_m = 90$	0.803 in/deg/sec
$K_{3R}, \beta_m = 0$	0.064 in/deg/sec
$K_{3R}, \beta_m = 90$	0.057 in/deg/sec
$K_{4R}, \beta_m = 0$	10.0 deg/sec/in
$K_{4R}, \beta_m = 90$	10.0 deg/sec/in
$K_{5R}, \beta_m = 0$	0.2 in/deg
$K_{5R}, \beta_m = 90$	0.2 in/deg
$K_{7R}, \beta_m = 0$	0.15 in/deg/sec
$K_{7R}, \beta_m = 90$	0.15 in/deg/sec
RSCAS <sub>MX</sub>	$\pm 1.617$ in

SUBSYSTEM NO. 20—XV-15 STABILITY AND CONTROL AUGMENTATION SYSTEM  
(Continued)

Constants	Values
Ames Research Center Modified Yaw SCAS	
$\tau_{1Y}$	2.7 sec
$\tau_{2Y}$	2.7 sec
$K_{1Y}, \beta_m = 0$	2.94 in/in
$K_{1Y}, \beta_m = 90$	0.0 in/in
$K_{2Y}, \beta_m = 0$	0.16 in/deg/sec
$K_{2Y}, \beta_m = 90$	0.08 in/deg/sec
$YSCAS_{MX}$	$\pm 0.4$ in



**SUBSYSTEM NO. 20—XV-15 STABILITY AND CONTROL AUGMENTATION SYSTEM  
(Continued)**

<u>Constants</u>	<u>Values</u>
<b>Bell Helicopter Textron Pitch SCAS</b>	
$\tau_{1P}$	0.5 sec
$\tau_{2P}$	3.15 sec
$\tau_{3P}$	3.15 sec
$\tau_{4P}$	3.15 sec
$\tau_{5P}$	3.15 sec
$\tau_{6P}$	1.0 sec
$K_{1P}, \beta_m = 0$	7.5 deg/sec/in
$K_{1P}, \beta_m = 90$	4.5 deg/sec/in
$K_{2P}, \beta_m = 0$	0.47 in/deg/sec
$K_{2P}, \beta_m = 90$	1.105 in/deg/sec
$K_{3P}, \beta_m = 0$	0.1 in/deg/sec
$K_{3P}, \beta_m = 90$	0.06 in/deg/sec
$K_{4P}, \beta_m = 0$	10.0 deg/sec/in
$K_{4P}, \beta_m = 90$	10.0 deg/sec/in
$K_{5P}, \beta_m = 0$	0.2 in/deg/sec
$K_{5P}, \beta_m = 90$	0.1 in/deg/sec
$K_{6P}, \beta_m = 0$	0.0 in/deg/sec
$K_{6P}, \beta_m = 90$	0.6 in/deg/sec
$PSCAS_{MX}$	$\pm 1.0$ in
$P_{HOLD_{MAX}}$	0.5 in

SUBSYSTEM NO. 20—XV-15 STABILITY AND CONTROL AUGMENTATION SYSTEM  
(Continued)

Constants	Values
Bell Helicopter Textron Roll SCAS	
$\tau_{1R}$	0.5 sec
$\tau_{2R}$	3.0 sec
$\tau_{3R}$	3.0 sec
$\tau_{4R}$	3.0 sec
$\tau_{5R}$	3.0 sec
$K_{1R}, \beta_m = 0$	30.0 deg/sec/in
$K_{1R}, \beta_m = 90$	30.0 deg/sec/in
$K_{2R}, \beta_m = 0$	0.8 in/deg/sec
$K_{2R}, \beta_m = 90$	0.8 in/deg/sec
$K_{3R}, \beta_m = 0$	0.3 in/deg/sec
$K_{3R}, \beta_m = 90$	0.3 in/deg/sec
$K_{4R}, \beta_m = 0$	10.0 deg/sec/in
$K_{4R}, \beta_m = 90$	10.0 deg/sec/in
$K_{5R}, \beta_m = 0$	0.15 in/deg
$K_{5R}, \beta_m = 90$	0.15 in/deg
$RSCAS_{MX}$	$\pm 1.54$ in
$R_{HOLD_{MAX}}$	0.77 in

**SUBSYSTEM NO. 20—XV-15 STABILITY AND CONTROL AUGMENTATION SYSTEM  
(Concluded)**

<u>Constants</u>	<u>Values</u>
Bell Helicopter Textron Yaw SCAS	
$\tau_{1Y}$	2.7 sec
$\tau_{2Y}$	2.7 sec
$K_{1Y}, \beta_m = 0$	12.0 in/in
$K_{1Y}, \beta_m = 90$	0.0 in/in
$K_{2Y}, \beta_m = 0$	0.6 in/deg/sec
$K_{2Y}, \beta_m = 90$	0.3 in/deg/sec
$K_{3Y}, \beta_m = 0$	0.0 in/in
$K_{3Y}, \beta_m = 90$	0.0 in/in
$YSCAS_{MX}$	$\pm 0.8$ in



APPENDIX C

SIGMA 8/VMS  
GENERIC TILT ROTOR MATHEMATICAL MODEL  
INPUT DATA REQUIREMENTS

NOTE:

This section was not revised for Rev. A, because the Sigma 8 version of the computer program was not systematically updated to be compatible with the Rev. A mathematical model when this document was completed.

**TABLE OF SUBSYSTEMS**

**SUBSYSTEM NO. 1—ROTOR GROUP**

<u>Sigma 8 Name</u>	<u>Equation Name</u>	<u>Description</u>	<u>Value</u>	<u>Units</u>
NUMB	$n_b$	Number of rotor blades	3	-ND-
RBLADE	R	Radius of rotor disc	12.5	ft
CHORDB	$c_b$	Blade chord	1.167	ft
XMASTL	$l_m$	Mast length	4.667	ft
DELTA3	$\delta_3$	Pitch flap coupling	-0.261799	rad
XIB	$I_b$	Blade flapping inertia	102.5	slug-ft <sup>2</sup>
XKFA, XKLT	$K_H$	Flapping hub spring rate	225.0	ft-lb/deg
SLSP	$SL_{SP}$	S.L. of shaft pivot point	300.0	in
BLSPR	$BL_{SP}$	B.L. of shaft pivot point	193.0	in
WLSP	$WL_{SP}$	W.L. of shaft pivot point	100.0	in
BTIPLS	B	Blade tip loss factor	0.97	-ND-
DELBPD(1)	$\delta_o$	Const in CDF equation	0.015	-ND-
DELBPD(2)	$\delta_1$	Const in CDF equation	-0.068	1/rad
DELBPD(3)	$\delta_2$	Const in CDF equation	0.81	1/rad <sup>2</sup>
SLP	$SL_p$	S.L. of pylon c.g.	291.7	in
WLP	$WL_p$	W.L. of pylon c.g.	118.0	in
WAITP	$W_p$	Weight of two pylons	3986.0	lbs
BETMIC	$\beta_m$	Mast tilt angle	0.0	deg
PHIM	$\phi_M$	Mast dihedral angle	1.0	deg
ISTN	m	Number of blade segments	10	-ND-
XBTD( 1)	$X_{m-9}$	Blade station/R	1.0	-ND-
XBTD( 2)	$X_{m-8}$	Blade station/R	0.6	-ND-
XBTD( 3)	$X_{m-7}$	Blade station/R	0.5333	-ND-
XBTD( 4)	$X_{m-6}$	Blade station/R	0.4667	-ND-
XBTD( 5)	$X_{m-5}$	Blade station/R	0.4	-ND-
XBTD( 6)	$X_{m-4}$	Blade station/R	0.3333	-ND-
XBTD( 7)	$X_{m-3}$	Blade station/R	0.2667	-ND-
XBTD( 8)	$X_{m-2}$	Blade station/R	0.2	-ND-
XBTD( 9)	$X_{m-1}$	Blade station/R	0.1333	-ND-

SYSTEM NO. 1—ROTOR GROUP (Continued)

Sigma 8 Name	Equation Name	Description	Value	Units
XBTD(10)	$X_m$	Blade station/R	0.0667	-ND-
XBTD(11)	$X_{m+1}$	Blade station/R	0.0	-ND-
THTBT( 1)	$\theta_{m-9}$	Blade twist	0.0	deg
THTBT( 2)	$\theta_{m-8}$	Blade twist	10.2	deg
THTBT( 3)	$\theta_{m-7}$	Blade twist	12.3	deg
THTBT( 4)	$\theta_{m-6}$	Blade twist	14.5	deg
THTBT( 5)	$\theta_{m-5}$	Blade twist	17.75	deg
THTBT( 6)	$\theta_{m-4}$	Blade twist	21.9	deg
THTBT( 7)	$\theta_{m-3}$	Blade twist	26.15	deg
THTBT( 8)	$\theta_{m-2}$	Blade twist	30.65	deg
THTBT( 9)	$\theta_{m-1}$	Blade twist	34.65	deg
THTBT(10)	$\theta_m$	Blade twist	38.0	deg
THTBT(11)	$\theta_{m+1}$	Blade twist	40.9	deg
XK0	$K_0$	Const-wing velocity equ	1.6	-ND-
XK1	$K_1$	Const-wing velocity equ	0.0	-ND-
XK2	$K_2$	Const-wing velocity equ	0.0	-ND-
XK3	$K_3$	Const-wing velocity equ	0.0	-ND-
XK4	$K_4$	Const-wing velocity equ	0.0	-ND-
SLWTE	$SL_{WTE}$	Sta line wing trail edge	338.1	in
RKRW	$K_{RW}$	Skew angle vel dist fact	3.0	-ND-
NHI	$l$	No. of aero segments	8	-ND-
ALFOL	$\alpha_{0L}$	Const-blade zero lift	1.0	deg
AOBAR	$\bar{a}_0$	Precone angle	0.0436325	rad
HUBK	$K_{HUB}$	Coning hub spring	180000.0	ft-lb/deg
ABLO	$a_0$	Const-slope of lift curve	4.95	-ND-
ABL1	$a_1$	Const-slope of lift curve	8.0	-ND-
ABL2	$a_2$	Const-slope of lift curve	30.0	-ND-
CDALPH	CDALPH	Drag coef slope w/alpha	0.01	-ND-
CDLIM	CDLIM	Onset-profile drag rise	0.85	-ND-
CDMACH	CDMACH	Lower limit-mach effect	0.35	-ND-
FACT	CDFACT	Drag coefficient factor	0.2	-ND-

**SUBSYSTEM NO. 1—ROTOR GROUP (Concluded)**

<u>Sigma 8 Name</u>	<u>Equation Name</u>	<u>Description</u>	<u>Value</u>	<u>Units</u>
CDMAX	CDMAX	Max drag coefficient	0.11	-ND-
GEWASH	GEWASH	A/S washout IGE	-0.08	sec/ft
GECON1	GECON1	Const in IGE equation	1.5629	-ND-
GECON2	GECON2	Const in IGE equation	-2.9119	-ND-
SFWASH	SFWASH	A/S washout for rotor $X_{SF}$ effect	54.0	fps
XKR1	KMU1	Induced vel dist equ	17.807	-ND-
XKR2	KMU2	Induced vel dist equ	-0.561	-ND-
XMULL	MULO	Induced vel dist equ	0.1067	-ND-
XMUUL	MUH1	Induced vel dist equ	0.5733	-ND-
SDQAXL	SDBM90	Spinner drag, $\beta_m = 90$	1.0	ft <sup>2</sup>
SDQRDL	SDBM	Spinner drag equ const	5.5	ft <sup>2</sup>

**SUBSYSTEM NO. 1—ROTOR GROUP TABLES**

<u>Sigma 8 Name</u>	<u>Equation Name</u>	<u>Description</u>
TCT	$C_T$	Maximum available rotor thrust coefficient, = $f(\mu)$ , Size (9)
CTINS	CTEL	Maximum available rotor thrust coefficient, = $f(\mu, \beta_m)$ , Size (9 x 3)
XSS	$X_{SS}$	Side-by-side rotor effect, = $f(\bar{u})$ , Size (10)
XSF	$X_{SF}$	Sidewash effect, = $f( \bar{v} )$ , Size (8)



**SUBSYSTEM NO. 2—ROTOR INDUCED VELOCITIES GROUP TABLES**

<u>Sigma 8 Name</u>	<u>Equation Name</u>	<u>Description</u>
WKH	$\frac{W_{iR/H}}{W_{iL,R}}$	Ratio of the induced z-axis rotor wake velocity on the horizontal stabilizer to the mean induced velocity at the rotor (for both right and left rotor), = $f(\alpha_F, V_T, \beta_m)$ , Size (16 x 8 x 3), (non-dimensional)
XKHB	$K_{H\beta}$	Rotor wake on the horizontal stabilizer (constant), = $f(\beta_F, \beta_m)$ , Size (10 x 5), (non-dimensional)

**SUBSYSTEM NO. 3—FUSELAGE GROUP**

<u>Sigma 8 Name</u>	<u>Equation Name</u>	<u>Description</u>	<u>Value</u>	<u>Units</u>
SLF	$SL_F$	Sta line fuse center of press	293.0	in
WL	$WL_F$	Water line fuse center of press	84.0	in
TLC	LBFO	Lift (zero sideslip)	-7.23	ft <sup>2</sup>
TDC	DBFO	Drag (zero sideslip)	-1.56	ft <sup>2</sup>
TMC	MBFO	Pitch moment (zero sideslip)	66.5	ft <sup>3</sup>
XFUSL	LLANG	Extra fuselage lift	0.0	ft <sup>2</sup>
XFUSD	DLANG	Extra fuselage drag	-0.5	ft <sup>2</sup>
XDPOD	DPOD	Drag/q land gear pod	1.15	ft <sup>2</sup>

**SUBSYSTEM NO. 3—FUSELAGE GROUP TABLES**

<u>Sigma 8 Name</u>	<u>Equation Name</u>	<u>Description</u>
TLA	$L_\alpha$	Fuselage lift/q vs angle of attack, = $f(\alpha)$ , Size (61)
TDA	$D_\alpha$	Fuselage drag/q vs angle of attack, = $f(\alpha)$ , Size (61)
TMA	$M_\alpha$	Fuselage pitching moment/q vs angle of attack, = $f(\alpha)$ , Size (61)

**SUBSYSTEM NO. 3—FUSELAGE GROUP TABLES (Concluded)**

<u>Sigma 8 Name</u>	<u>Equation Name</u>	<u>Description</u>
TLB	$L_{\beta}$	Fuselage lift/q vs sideslip, = $f(\beta)$ , Size (37)
TDB	$D_{\beta}$	Fuselage drag/q vs sideslip, = $f(\beta)$ , Size (37)
TMB	$M_{\beta}$	Fuselage pitching moment/q vs sideslip, = $f(\beta)$ , Size (37)
TYB	$Y_{\beta}$	Fuselage side force/q vs sideslip, = $f(\beta)$ , Size (37)
TLLB	$l_{\beta}$	Fuselage rolling moment/q vs sideslip, = $f(\beta)$ , Size (37)
TNB	$N_{\beta}$	Fuselage yawing moment/q vs sideslip, = $f(\beta)$ , Size (37)

**SUBSYSTEM NO. 4—WING/PYLON GROUP**

<u>Sigma 8 Name</u>	<u>Equation Name</u>	<u>Description</u>	<u>Value</u>	<u>Units</u>
SLW	$SL_W$	Sta line wing center of press	291.17	in
WLW	$WL_W$	Water line wing center of press	95.85	in
AREA	$S_W$	Wing area	181.0	ft <sup>2</sup>
SPAN	$b_W$	Wing span	32.17	ft
CHORD	$c_W$	Wing chord	5.225	ft
CSWEP	$(\Lambda_{c/4})_W$	Wing sweep angle at C/4	-6.5	deg
ARW	$AR_W$	Wing aspect ratio	5.7	-ND-
CYBM	$C_{Y_{\beta}} \Big _{M_N=0}$	Const used in Y force equ	0.0	1/rad
CYPM	$\frac{C_{Y_P}}{C_{L_{WP}}} \Big _{M_N=0}$	Const used in Y force equ	0.0	1/rad
CYRM	$C_{Y_r} \Big _{M_N=0}$	Const used in Y force equ	0.0	1/rad
CLPM	$C_{l_p} \Big _{\substack{C_r=0 \\ M_N^L=0}}$	Const in roll moment equ	-0.774	1/rad

SYSTEM NO. 4—WING/PYLON GROUP (Continued)

<u>Sigma 8 Name</u>	<u>Equation Name</u>	<u>Description</u>	<u>Value</u>	<u>Units</u>
CLRM	$\frac{C_{1r}}{C_{LWP}} \Big _{M_N=0}$	Const in roll moment equ	0.27	1/rad
CLRAF	$\frac{\Delta C_{1r}}{(\partial \alpha / \partial \delta_F)} (\delta_F)$	Const in roll moment equ	-0.0016	1/deg
CLDA	$C_{1\delta a} \Big _{\alpha_W < 8 \text{ deg}}$	Const in roll moment equ	0.006	1/deg
CNBO	$C_{n\beta} \Big _{M_N=0}$	Const in yaw moment equ	-0.0315	1/rad
CM	$\left( \frac{C_{n\beta}}{C_{LWP}^2} \right) \Big _{M_N=0}$	Const in yaw moment equ	0.057	1/rad
CNRL	$\left( \frac{C_{nr}}{C_{LWP}^2} \right)$	Const in yaw moment equ	-0.016	1/rad
CNRD	$\left( \frac{C_{nr}}{C_{D_{oWP}}} \right)$	Const in yaw moment equ	-0.32	1/rad
CNPL	$\frac{C_{nP}}{C_{LWP}} \Big _{M_N=0}$	Const in yaw moment equ	-0.06	1/rad
FKNP	$K_{np}$	Const in yaw moment equ	1.0	-ND-
XKFWB	KFWO	Const download with flaps	1.4	-ND-
XKFWS	KFWDF	Slope download with flaps	-0.0035	1/deg
CXRW	KXRW	Const rotor flow on wings	0.26	-ND-
XRWO	XRWO	Const rotor flow on wings	0.0806	-ND-

**SUBSYSTEM NO. 4—WING/PYLON GROUP (Concluded)**

<u>Sigma 8 Name</u>	<u>Equation Name</u>	<u>Description</u>	<u>Value</u>	<u>Units</u>
XRW1	XRW1	Const rotor flow on wings	0.33410E-04	1/deg
XRW2	XRW2	Const rotor flow on wings	0.73860E-05	1/deg <sup>2</sup>
DQP90	CPYLN1	Const in pylon drag equation	1.0	ft <sup>2</sup>
DQP0	CPYLN2	Const in pylon drag equation	13.5	ft <sup>2</sup>

**SUBSYSTEM NO. 4—WING/PYLON GROUP TABLES**

<u>Sigma 8 Name</u>	<u>Equation Name</u>	<u>Description</u>
CMOWP	$C_{M_{OWP}}$	Wing-pylon pitching moment coefficient, = $f(\beta_m, F_X)$ Size (5 x 4), (non-dimensional)
CLWP1	$C_{L_{WP}}$	Wing-pylon lift coefficient for $F_X = 0$ deg, = $f(\alpha'_{F/W}/\alpha_W, \beta_m, M_N)$ , Size (28 x 2 x 4), (non-dimensional)
CLWP2	$C_{L_{WP}}$	Wing-pylon lift coefficient for $F_X = 20$ deg, = $f(\alpha'_{F/W}/\alpha_W, \beta_m)$ , Size (55 x 2), (non-dimensional)
CLWP3	$C_{L_{WP}}$	Wing-pylon lift coefficient for $F_X = 40$ deg, = $f(\alpha'_{F/W}/\alpha_W, \beta_m)$ , Size (32 x 2), (non-dimensional)
CLWP4	$C_{L_{WP}}$	Wing-pylon lift coefficient for $F_X = 75$ deg, = $f(\alpha'_{F/W}/\alpha_W, \beta_m)$ , Size (32 x 2), (non-dimensional)
CDWP1	$C_{D_{WP}}$	Wing-pylon drag coefficient for $F_X = 0$ deg, = $f(\alpha'_{F/W}/\alpha_W, \beta_m, M_N)$ , Size (21 x 2 x 4), (non-dimensional)
CDWP2	$C_{D_{WP}}$	Wing-pylon drag coefficient for $F_X = 20$ deg, = $f(\alpha'_{F/W}/\alpha_W, \beta_m)$ , Size (49 x 2), (non-dimensional)
CDWP3	$C_{D_{WP}}$	Wing-pylon drag coefficient for $F_X = 40$ deg = $f(\alpha'_{F/W}/\alpha_W, \beta_m)$ , Size (26 x 2), (non-dimensional)
CDWP4	$C_{D_{WP}}$	Wing-pylon drag coefficient for $F_X = 75$ deg, = $f(\alpha'_{F/W}/\alpha_W, \beta_m)$ , Size (26 x 2), (non-dimensional)
EW H	$\epsilon_{W/H}$	Wing wake deflection at the horizontal stabilizer, = $f(\alpha_W, F_X, \beta_m)$ , Size (12 x 4 x 5), (non-dimensional)
CLB	$C_{\beta} \left  \begin{matrix} C_L=0 \\ M_N^L=0 \end{matrix} \right.$	Wing-pylon rolling moment coefficient, = $f(\beta_m, F_X)$ Size (4 x 4), (1/rad)

**SUBSYSTEM NO. 4—WING/PYLON GROUP TABLES (Concluded)**

<u>Sigma 8 Name</u>	<u>Equation Name</u>	<u>Description</u>
CLBL	$\left. \frac{C_{l\beta}}{C_{L_{WP}}} \right _{M_N=0}$	Aerodynamic coefficient in the wing rolling moment equation, = $f(\beta_m, F_X)$ , Size (4 x 4), (1/rad)
FKLDA	$K_{l\delta_a}$	Aileron effectiveness in roll, = $f(\alpha_w, \beta_m, F_X)$ , Size (2 x 2 x 4)
FKNOA	$K_{no\delta_a}$	Yawing moment equation coefficient, = $f(\beta_m, F_X)$ , Size (3 x 4), (1/deg)
FKNDA	$K_{n\delta_a}$	Yawing moment equation coefficient, = $f(\beta_m, F_X)$ , Size (3 x 4), (non-dimensional)
CDO	$\left. C_{D_{oWP}} \right _{C_{L_{WP}}=0}$	Wing coefficient of drag at wing coefficient of lift equal to zero, = $f(M_N, \beta_m, F_X)$ , Size (4 x 2 x 4)
CLDAI	$C_{l\delta_A}$	Wing lift coefficient due to aileron deflection, = $f(F_X)$ , Size (4)
LAI	$\left. \frac{\partial C_{L_{WP}}}{\partial \alpha_w} \right _{C_{L_{WP}}=0}$	Partial of wing coefficient of lift with respect to angle of attack, = $f(M_N, \beta_m)$ , Size (4 x 2)

**SUBSYSTEM NO. 5—HORIZONTAL STABILIZER GROUP**

<u>Sigma 8 Name</u>	<u>Equation Name</u>	<u>Description</u>	<u>Value</u>	<u>Units</u>
SLH	$SL_H$	Sta line center of pressure	560.0	in
WLH	$WL_H$	Water line center of pressure	103.0	in
SH	$S_H$	Area	50.25	ft <sup>2</sup>
CLHB	$C_{L_{HB}}$	Const in lift equation	-0.00422	1/deg
XIH	$i_H$	Horizontal stab incidence	0.0	deg
HTEL, HTED	$\tau_e$	Elevator effectiveness	0.518	-ND-
XKHNU	$KH_{NU}$	Q-loss multiplier	1.0	-ND-

**SUBSYSTEM NO. 5—HORIZONTAL STABILIZER GROUP TABLES**

<u>Sigma 8 Name</u>	<u>Equation Name</u>	<u>Description</u>
CLH	$C_{L_H}$	Horizontal stabilizer lift coefficient, = $f(\alpha_H, \delta_e)$ , Size (56 x 7), (non-dimensional)
CLHM	$C_{L_H}$	Horizontal stabilizer lift coefficient, = $f(\alpha_H, M_N)$ , Size (17 x 4), (non-dimensional)
CDH	$C_{D_H}$	Horizontal stabilizer drag coefficient, = $f(\alpha_M, M_N)$ , Size (49 x 4), (non-dimensional)
HKE	$K_e$	Elev/rudder effectiveness, = $f(M_N)$ , Size (4), (non-dimensional)
ETAH	$\eta_H$	Dynamic pressure ratio at the horizontal tail, = $f(\alpha_F, V_T, \beta_m)$ , Size (18 x 6 x 5), (non-dimensional)

**SUBSYSTEM NO. 6—VERTICAL STABILIZER GROUP**

<u>Sigma 8 Name</u>	<u>Equation Name</u>	<u>Description</u>	<u>Value</u>	<u>Units</u>
SLV	$SL_V$	Sta line center of pressure	570.02	in
WLV	$WL_V$	Water line center of pressure	115.69	in
BLV	$BL_V$	Buttline center of pressure	77.0	in
SF	$S_V$	Area	50.5	ft <sup>2</sup>
DSIGP	$\partial\sigma/\partial\hat{p}$	Const in sideslip angle equ	-0.1	-ND-
DSIGR	$\partial\sigma/\partial\hat{r}$	Const in sideslip angle equ	0.0	-ND-
HTRL, HTRD	$\tau_r$	Rudder effectiveness	0.27	-ND-
BETWK1	BETWK1	Sideslip wake off fin	5.0	deg
BETWK2	BETWK2	Sideslip opp wake on fin	28.0	deg
BETWK3	BETWK3	Sideslip opp wake off fin	60.0	deg
XKVNU	KVNU	Q-loss multiplier	1.0	-ND-

**SUBSYSTEM NO. 6—VERTICAL STABILIZER GROUP TABLES**

<u>Sigma 8 Name</u>	<u>Equation Name</u>	<u>Description</u>
CYV1	$C_{YV}$	Vertical fin side force (lift) coefficient, = $f(\beta_V, \delta_r)$ , Size (50 x 5), (non-dimensional)
CYV2	$C_{YV}$	Vertical fin side force (lift) coefficient, = $f(\beta_V, M_N)$ , Size (19 x 4), (non-dimensional)
CDV	$C_{DV}$	Vertical fin drag coefficient, = $f(\beta_V, M_N)$ , Size (47 x 4), (non-dimensional)
DSIG1	$(1 - \frac{\partial \sigma}{\partial \beta_F})$	Vertical stabilizer sidewash factor for $F_X = 0$ deg, = $f(\beta_F, \alpha_F, \beta_m)$ , Size (6 x 6 x 4), (non-dimensional)
DSIG2	$(1 - \frac{\partial \sigma}{\partial \beta_F})$	Vertical stabilizer sidewash factor for $F_X = 20$ deg, = $f(\beta_F, \alpha_F, \beta_m)$ , Size (6 x 6 x 4), (non-dimensional)
DSIG3	$(1 - \frac{\partial \sigma}{\partial \beta_F})$	Vertical stabilizer sidewash factor for $F_X = 40$ deg, = $f(\beta_F, \alpha_F, \beta_m)$ , Size (6 x 6 x 4), (non-dimensional)
DSIG4	$(1 - \frac{\partial \sigma}{\partial \beta_F})$	Vertical stabilizer sidewash factor for $F_X = 75$ deg, = $f(\beta_F, \alpha_F, \beta_m)$ , Size (6 x 6 x 4), (non-dimensional)
XKB	$K_B$	Rotor sidewash factor on dynamic pressure, = $f(V_T, \beta_V)$ Size (8 x 7), (non-dimensional)

**SUBSYSTEM NO. 7A—LANDING GEAR GROUP**

<u>Sigma 8 Name</u>	<u>Equation Name</u>	<u>Description</u>	<u>Value</u>	<u>Units</u>
SLNG	$SL_{G1}$	Station line nose gear	139.0	in
WLNG	$WL_{G1}$	Water line nose gear	4.95	in
BLNG	$BL_{G1}$	Butt line nose gear	0.0	in
SLMG	$SL_{G2,3}$	Station line main gear	324.0	in
WLMG	$WL_{G2,3}$	Water line main gear	7.4	in
BLMG	$BL_{G2,3}$	Butt line main gear	51.25	in
DBMIN	$\delta_{BnMIN}$	Brake threshold deflection	5.73	deg
BRK	$K_{Bn}$	Brake sensitivity	-0.1745	ft/sec <sup>2</sup> -deg

SUBSYSTEM NO. 7A—LANDING GEAR GROUP (Concluded)

<u>Sigma 8 Name</u>	<u>Equation Name</u>	<u>Description</u>	<u>Value</u>	<u>Units</u>
AMAX	$A_{MAX}$	Maximum braking deceleration	-5.0	ft/sec <sup>2</sup>
GA1	$G_{A_1}$	Nose gear linear damping term	100.0	lb-sec/ft
GA2,GA3	$G_{A_{2,3}}$	Main gear linear damping term	775.0	lb-sec/ft
GB1,GB2,GB3	$G_{B_n}$	Landing gear nonlinear damping term	0.0	lb-sec/ft <sup>3</sup>
GC1	$G_{C_1}$	Nose gear nonlinear stiffness term	175.0	lb/ft <sup>4</sup>
GC2,GC3	$G_{C_{2,3}}$	Main gear nonlinear stiffness term	325.0	lb/ft <sup>4</sup>
US1,US2,US3	$\mu_{S_n}$	Landing gear side force slope	0.03	-ND-
UG	$\mu_{G_n}$	Landing gear maximum side force coefficient	0.5	-ND-
UR	$\mu_{RF}$	Coefficient of rolling friction	0.015	-ND-

SUBSYSTEM NO. 7A—LANDING GEAR GROUP TABLES

<u>Sigma 8 Name</u>	<u>Equation Name</u>	<u>Description</u>
DOMGD	$D_{oMGD}$	Drag of main landing gear during extension, = f(t), Size (21), (ft <sup>2</sup> )
DOMGU	$D_{oMGU}$	Drag of main landing gear during retraction, = f(t), Size (21), (ft <sup>2</sup> )
DONGD	$D_{oNGD}$	Drag of nose landing gear during extension, = f(t) Size (21), (ft <sup>2</sup> )
DONGU	$D_{oNGU}$	Drag of nose landing gear during retraction, = f(t) Size (21), (ft <sup>2</sup> )



SYSTEM NO. 8—CONTROL SYSTEM GROUP

<u>Sigma 8 Name</u>	<u>Equation Name</u>	<u>Description</u>	<u>Value</u>	<u>Units</u>
XLNN	$X_{LNN}$	Long cyclic neutral	4.8	in
XLTN	$X_{LTN}$	Lat cyc neutral position	4.8	in
XPDN	$X_{PDN}$	Pedals neutral position	2.5	in
DEXLN	$\partial\delta_e/\partial X_{LN}$	D(elevator)/D(XLN)	4.16	deg/in
DAXLT	$\partial\delta_a/\partial X_{LT}$	D(aileron)/D(XLT)	3.93	deg/in
DRXPD	$\partial\delta_r/\partial X_{PD}$	D(rudder)/D(XPD)	8.0	deg/in
DBI	DBI	Bl rigging offset constant	1.5	deg
LTRNJ	$X_{LT}$	Lateral control range	9.6	in
LNRNJ	$X_{LN}$	Longitudinal control range	9.6	in
PDRNJ	$X_{PD}$	Pedal control range	5.0	in
COLRNJ	$X_{COL}$	Power lever control range	10.0	in
BETMAX	PBMMAX	Max fwd mast tilt	90.0	deg
BETMIN	PBMMIN	Max aft mast tilt	-5.0	deg
LOW	$\dot{\beta}_m$	Pylon conversion rate--low	1.5	deg/sec
RTHIGH	$\dot{\beta}_m$	Pylon conversion rate--high	7.5	deg/sec
GLNO	$G_{LNO}$	Longitudinal force feel system gradient	3.5	lb/in
GLN1	$G_{LN1}$	Longitudinal force feel system gradient	0.108	lb/in/psf
AKLN	$K_{LN}$	Longitudinal force feel system constant (system off)	11.25	lb/in
ZENFFS	$\zeta_{LN}$	Longitudinal force feel system viscous damping coefficient	0.85	-ND-
HLN	$H_{LN}$	Longitudinal force feel system hysteresis force	2.85	lb
GLTO	$G_{LTO}$	Lateral force feel system gradient	1.0	lb/in
GLT1	$G_{LT1}$	Lateral force feel system gradient	0.023	lb/in/psf
AKLT	$K_{LT}$	Lateral force feel system constant (system off)	3.5	lb/in
ZETFFS	$\zeta_{LT}$	Lateral force feel system viscous damping coefficient	0.85	-ND-

**SUBSYSTEM NO. 8—CONTROL SYSTEM GROUP (Concluded)**

<u>Sigma 8 Name</u>	<u>Equation Name</u>	<u>Description</u>	<u>Value</u>	<u>Units</u>
HLT	$H_{LT}$	Lateral force feel system hysteresis force	3.75	lb
GPDO	$G_{PDO}$	Pedal force feel system gradient	5.0	lb/in
GPD1	$G_{PD1}$	Pedal force feel system hysteresis	0.167	lb/in/psf
ZEDFFS	$\zeta_{PD}$	Pedal force feel system viscous damping coefficient	0.85	-ND-
HPD	$H_{PD}$	Pedal force feel system hysteresis force	8.8	lb
HRUD	$H_{RUD}$	Rudder force feel constant	0.37	ft <sup>2</sup> /in
FARUDL	$F_{ACT_{RUD_{LIM}}}$	Rudder force feel actuator limit	45.0	lb
XDLNTO	$\dot{X}_{LNT0}$	Longitudinal trim rate force feel system constant	1.0	in/sec
XDLNT1	$\dot{X}_{LNT1}$	Longitudinal trim rate force feel system constant	-0.00262	in/sec/psf
XDLTTO	$\dot{X}_{LTT0}$	Lateral trim rate force feel system constant	1.0	in/sec
XDLTT1	$\dot{X}_{LTT1}$	Lateral trim rate force feel system constant	-0.00262	in/sec/psf
XDLPDO	$\dot{X}_{PDT0}$	Pedal trim rate force feel system constant	0.5	in/sec
XDLPD1	$\dot{X}_{PDT1}$	Pedal trim rate force feel system constant	-0.00131	in/sec/psf

**SUBSYSTEM NO. 8—CONTROL SYSTEM GROUP TABLES**

<u>Sigma 8 Name</u>	<u>Equation Name</u>	<u>Description</u>
C1	$\partial B_1 / \partial X_{LN}$	Cyclic/longitudinal stick gradient vs $\beta_m$ , Size (10)
C2	$\partial B_1 / \partial X_{PD}$	Differential cyclic pitch control gearing ratio, = $f(\beta_m, V_T)$ , Size (10 x 3), (deg/in)
C3	$\partial \theta_o / \partial X_{LT}$	Diff coll/lat stick gradient vs $\beta_m$ , Size (10)

**SUBSYSTEM NO. 8—CONTROL SYSTEM GROUP TABLES (Concluded)**

<u>Sigma 8 Name</u>	<u>Equation Name</u>	<u>Description</u>
C4	$\partial\theta_o/\partial X_{COL}$	Blade pitch/power lever gradient vs $\beta_m$ , Size (10)
C5	$\theta_{OLL}$	Min blade pitch at 0.75R vs $\beta_m$ , Size (10)
THP	$X_{THR,L}$	Throttle vs power lever, Size (21)
AIB	$A_1\beta_m$	Lateral flap controller vs $\beta_m$ , Size (7)
AIV	$A_1V_T$	Lateral flap controller vs A/S, Size (7)

**SUBSYSTEM NO. 11—AIRCRAFT ACCELERATIONS AND VELOCITIES GROUP**

<u>Sigma 8 Name</u>	<u>Equation Name</u>	<u>Description</u>	<u>Value</u>	<u>Units</u>
SLPA	$SL_{PA}$	Station line of the pilot	215.25	in
BLPA	$BL_{PA}$	Butt line of the pilot	16.5	in
WLPA	$WL_{PA}$	Water line of the pilot	82.0	in

**SUBSYSTEM NO. 14—IGE MOMENT GROUP**

<u>Sigma 8 Name</u>	<u>Equation Name</u>	<u>Description</u>	<u>Value</u>	<u>Units</u>
XLG0	$L_{G0}$	Const-IGE roll moment equ	-7506.0	ft-lb/deg
XLG1	$L_{G1}$	Const-IGE roll moment equ	23366.0	ft-lb/deg
XLG2	$L_{G2}$	Const-IGE roll moment equ	-20134.0	ft-lb/deg
XLG3	$L_{G3}$	Const-IGE roll moment equ	5290.0	ft-lb/deg
XLG4	$L_{G4}$	Const-IGE roll moment equ	-0.1	sec/ft
XH2	GEULIM	IGE up limit--roll moment equ	1.6386	-ND-
XH1	GELLIM	IGE low limit--roll moment equ	0.5	-ND-
GEM1	$M_{G1}$	Const-IGE pitch moment equ	-0.9	ft
GEM2	$M_{G2}$	Const-IGE pitch moment equ	-2.6	-ND-
GEM3	$M_{G3}$	Const-IGE pitch moment equ	-0.08	sec/ft

**SUBSYSTEM NOS. 17, 18, AND 19—POWER MANAGEMENT GROUP**

<u>Sigma 8 Name</u>	<u>Equation Name</u>	<u>Description</u>	<u>Value</u>	<u>Units</u>
THINT1	$\theta_{INT_1}$	Rotor-interconn gear ratio	11.3	-ND-
TD	$t_D$	Rotor governor delay time	0.0	sec
PCTMXS	pctmxs	Max % HP/sec power turb gov	6.0	%/sec
PCTMXP	pctm xp	Max % HP/sec throttle	6.0	%/sec
XI1	$I_1$	Drive system inertia	824.0	slug-ft <sup>2</sup>
THRPT1	$\theta_{RPT_1}$	Rotor-turbine gear ratio	35.133	-ND-
EK1	$K_1$	Const in drive syst equs	-0.94	-ND-
EK2	$K_2$	Const in drive syst equs	1.94	-ND-
EK3	$K_3$	Const in drive syst equs	0.0	-ND-
EK4	$K_4$	Const in drive syst equs	13100.0	RPM
EK5	$K_5$	Const in drive syst equs	235.0	RPM/ $\sqrt{SHP}$
EK6	$K_6$	Const in drive syst equs	475.0	HP
EK7	$K_7$	Const in drive syst equs	288.16	deg K
EK11	$K_{11}$	Const in drive syst equs	0.0032	1/deg K
EK12	$K_{12}$	Const in drive syst equs	0.875	1/deg K
EL13	$K_{13}$	Const in drive syst equs	0.00125	1/deg K
EK14	$K_{14}$	Const in drive syst equs	0.0	deg K
THTMX	THOGMN	Minimum pitch-governor	-5.0	deg
THTMU	THOGMX	Maximum pitch-governor	33.5	deg
PRGK	$K_{PRG}$	Coll. governor proportional gain at $\beta_m=90$	0.1	-ND-
TK1G1	$K_{1G}$	Coll. governor integral gain at $\beta_m=90$	0.05	-ND-

**SUBSYSTEM NO. 18—POWER PLANT GROUP TABLES**

<u>Sigma 8 Name</u>	<u>Equation Name</u>	<u>Description</u>
RSPN	RSHP	Shaft horsepower vs throttle, = $f(X_{THR})$ , Size (14)
TJET1	$K_{JT_1}$	Constant jet thrust equ, = $f(V_T)$ , Size (4), (1b)

SYSTEM NO. 18—POWER PLANT GROUP TABLES (Concluded)

<u>Sigma 8 Name</u>	<u>Equation Name</u>	<u>Description</u>
TJET2	$K_{JT_2}$	Slope-jet thrust equ, = $f(V_T)$ , Size (4), (lb/SHP)
DHPR	$\frac{dHP_{ROT}}{dt_{TH}}$	Engine acceleration characteristics, = $f(SHP)$ , Size (19)
RSHP	$\frac{RSHP}{RSHP_{V=0}}$	Ram effect, = $f(V_T)$ , Size (7)

SUBSYSTEM NO. 20—SCAS GROUP

<u>Sigma 8 Name</u>	<u>Equation Name</u>	<u>Description</u>	<u>Value</u>	<u>Units</u>
<b>Bell Roll SCAS</b>				
ST1RF	$\tau_{1R}$	Roll time constant	0.5	sec
ST2RF	$\tau_{2R}$	Roll time constant	3.0	sec
ST3RF	$\tau_{3R}$	Roll time constant	3.0	sec
ST4RF	$\tau_{4R}$	Roll time constant	3.0	sec
ST5RF	$\tau_{5R}$	Roll time constant	3.0	sec
SK1ROF	$K_{1R, \beta_m = 0}$	Roll gain	30.0	deg/sec/in
SK1R90F	$K_{1R, \beta_m = 90}$	Roll gain	30.0	deg/sec/in
SK2ROF	$K_{2R, \beta_m = 0}$	Roll gain	0.8	in/deg/sec
SK2R90F	$K_{2R, \beta_m = 90}$	Roll gain	0.8	in/deg/sec
SK3ROF	$K_{3R, \beta_m = 0}$	Roll gain	0.3	in/deg/sec
SK3R90F	$K_{3R, \beta_m = 90}$	Roll gain	0.3	in/deg/sec
SK4ROF	$K_{4R, \beta_m = 0}$	Roll gain	10.0	deg/sec/in
SK4R90F	$K_{4R, \beta_m = 90}$	Roll gain	10.0	deg/sec/in
SK5ROF	$K_{5R, \beta_m = 0}$	Roll gain	0.15	in/deg
SK5R90F	$K_{5R, \beta_m = 90}$	Roll gain	0.15	in/deg

SUBSYSTEM NO. 20—SCAS GROUP (Continued)

<u>Sigma 8 Name</u>	<u>Equation Name</u>	<u>Description</u>	<u>Value</u>	<u>Units</u>
<b>Bell Pitch SCAS</b>				
ST1PF	$\tau_{1P}$	Pitch time constant	0.5	sec
ST2PF	$\tau_{2P}$	Pitch time constant	3.15	sec
ST3PF	$\tau_{3P}$	Pitch time constant	3.15	sec
ST4PF	$\tau_{4P}$	Pitch time constant	3.15	sec
ST5PF	$\tau_{5P}$	Pitch time constant	3.15	sec
ST6PF	$\tau_{6P}$	Pitch time constant	1.0	sec
SK1POF	$K_{1P, \beta_m} = 0$	Pitch gain at $\beta_m = 0$	7.5	deg/sec/in
SK1P90F	$K_{1P, \beta_m} = 90$	Pitch gain at $\beta_m = 90$	4.5	deg/sec/in
SK2POF	$K_{2P, \beta_m} = 0$	Pitch gain at $\beta_m = 0$	0.47	in/deg/sec
SK2P90F	$K_{2P, \beta_m} = 90$	Pitch gain at $\beta_m = 90$	1.105	in/deg/sec
SK3POF	$K_{3P, \beta_m} = 0$	Pitch gain at $\beta_m = 0$	0.1	in/deg/sec
SK3P90F	$K_{3P, \beta_m} = 90$	Pitch gain at $\beta_m = 90$	0.06	in/deg/sec
SK4POF	$K_{4P, \beta_m} = 0$	Pitch gain at $\beta_m = 0$	10.0	deg/sec/in
SK4P90F	$K_{4P, \beta_m} = 90$	Pitch gain at $\beta_m = 90$	10.0	deg/sec/in
SK5POF	$K_{5P, \beta_m} = 0$	Pitch gain at $\beta_m = 0$	0.2	in/deg/sec
SK5P90F	$K_{5P, \beta_m} = 90$	Pitch gain at $\beta_m = 90$	0.1	in/deg/sec
SK6POF	$K_{6P, \beta_m} = 0$	Pitch gain at $\beta_m = 0$	0.0	in/deg/sec
SK6P90F	$K_{6P, \beta_m} = 90$	Pitch gain at $\beta_m = 90$	0.6	in/deg/sec

**Bell Yaw SCAS**

ST1YF	$\tau_{1Y}$	Yaw time constant	2.7	sec
ST2YF	$\tau_{2Y}$	Yaw time constant	2.7	sec
SK1YOF	$K_{1Y, \beta_m} = 0$	Yaw gain at $\beta_m = 0$	12.0	in/in
SK1Y90F	$K_{1Y, \beta_m} = 90$	Yaw gain at $\beta_m = 90$	0.0	in/in
SK2YOF	$K_{2Y, \beta_m} = 0$	Yaw gain at $\beta_m = 0$	0.6	in/deg/sec
SK2Y90F	$K_{2Y, \beta_m} = 90$	Yaw gain at $\beta_m = 90$	0.3	in/deg/sec
SK3YOF	$K_{3Y, \beta_m} = 0$	Yaw gain at $\beta_m = 0$	0.0	in/in
SK3Y90F	$K_{3Y, \beta_m} = 90$	Yaw gain at $\beta_m = 90$	0.0	in/in

SUBSYSTEM NO. 20—SCAS GROUP (Continued)

<u>Sigma 8 Name</u>	<u>Equation Name</u>	<u>Description</u>	<u>Value</u>	<u>Units</u>
<b>Modified Roll SCAS</b>				
ST1RN	$\tau_{1R}$	Roll time constant	0.4	sec
ST2RN	$\tau_{2R}$	Roll time constant	3.0	sec
STPRN	$\tau_P$	Roll time constant	0.4	sec
SK1RON	$K_{1R}, \beta_m = 0$	Roll gain at $\beta_m = 0$	1.0	in/in
SK1R90N	$K_{1R}, \beta_m = 90$	Roll gain at $\beta_m = 90$	0.5	in/in
SK2RON	$K_{2R}, \beta_m = 0$	Roll gain at $\beta_m = 0$	1.03	in/deg/sec
SK2R90N	$K_{2R}, \beta_m = 90$	Roll gain at $\beta_m = 90$	1.03	in/deg/sec
SK3RON	$K_{3R}, \beta_m = 0$	Roll gain at $\beta_m = 0$	0.064	in/deg/sec
SK3R90N	$K_{3R}, \beta_m = 90$	Roll gain at $\beta_m = 90$	0.064	in/deg/sec
SK4RON	$K_{4R}, \beta_m = 0$	Roll gain at $\beta_m = 0$	10.0	deg/sec/in
SK4R90N	$K_{4R}, \beta_m = 90$	Roll gain at $\beta_m = 90$	10.0	deg/sec/in
SK5RON	$K_{5R}, \beta_m = 0$	Roll gain at $\beta_m = 0$	TBD	in/deg
SK5R90N	$K_{5R}, \beta_m = 90$	Roll gain at $\beta_m = 90$	TBD	in/deg
SK6RON	$K_{6R}, \beta_m = 0$	Roll gain at $\beta_m = 0$	TBD	deg/in
SK6R90N	$K_{6R}, \beta_m = 90$	Roll gain at $\beta_m = 90$	TBD	deg/in
SK7RON	$K_{7R}, \beta_m = 0$	Roll gain at $\beta_m = 0$	0.135	in/deg/sec
SK7R90N	$K_{7R}, \beta_m = 90$	Roll gain at $\beta_m = 90$	0.135	in/deg/sec

**Modified Pitch SCAS**

ST1PN	$\tau_{1P}$	Pitch time constant	0.3	sec
ST2PN	$\tau_{2P}$	Pitch time constant	3.15	sec
STQPN	$\tau_q$	Pitch time constant	0.4	sec
SK1PON	$K_{1P}, \beta_m = 0$	Pitch gain at $\beta_m = 0$	0.6	in/in
SK1P90N	$K_{1P}, \beta_m = 90$	Pitch gain at $\beta_m = 90$	-1.0	in/in
SK2PON	$K_{2P}, \beta_m = 0$	Pitch gain at $\beta_m = 0$	1.04	in/deg/sec
SK2P90N	$K_{2P}, \beta_m = 90$	Pitch gain at $\beta_m = 90$	0.48	in/deg/sec
SK3PON	$K_{3P}, \beta_m = 0$	Pitch gain at $\beta_m = 0$	0.107	in/deg/sec
SK3P90N	$K_{3P}, \beta_m = 90$	Pitch gain at $\beta_m = 90$	0.107	in/deg/sec

**SUBSYSTEM NO. 20—SCAS GROUP (Concluded)**

<u>Sigma 8 Name</u>	<u>Equation Name</u>	<u>Description</u>	<u>Value</u>	<u>Units</u>
<b>Modified Pitch SCAS (Concluded)</b>				
SK4PON	$K_{4P, \beta_m = 0}$	Pitch gain at $\beta_m = 0$	-7.5	deg/sec/in
SK4P90N	$K_{4P, \beta_m = 90}$	Pitch gain at $\beta_m = 90$	-7.5	in/deg/sec
SK5PON	$K_{5P, \beta_m = 0}$	Pitch gain at $\beta_m = 0$	TBD	in/deg
SK5P90N	$K_{5P, \beta_m = 90}$	Pitch gain at $\beta_m = 90$	TBD	in/deg
SK6PON	$K_{6P, \beta_m = 0}$	Pitch gain at $\beta_m = 0$	TBD	deg/in
SK6P90N	$K_{6P, \beta_m = 90}$	Pitch gain at $\beta_m = 90$	TBD	deg/in
SK7PON	$K_{7P, \beta_m = 0}$	Pitch gain at $\beta_m = 0$	0.133	in/deg/sec
SK7P90N	$K_{7P, \beta_m = 90}$	Pitch gain at $\beta_m = 90$	0.1	in/deg/sec

**Modified Yaw SCAS**

ST1YN	$\tau_{1Y}$	Yaw time constant	2.7	sec
ST2YN	$\tau_{2Y}$	Yaw time constant	2.7	sec
SK1YON	$K_{1Y, \beta_m = 0}$	Yaw gain at $\beta_m = 0$	2.94	in/in
SK1Y90N	$K_{1Y, \beta_m = 90}$	Yaw gain at $\beta_m = 90$	0.0	in/in
SK2YON	$K_{2Y, \beta_m = 0}$	Yaw gain at $\beta_m = 0$	0.125	in/deg/sec
SK2Y90N	$K_{2Y, \beta_m = 90}$	Yaw gain at $\beta_m = 90$	0.026	in/deg/sec

**FLIGHT CONFIGURATION GROUP**

**\*\*\* Most of the following variables are user input variables \*\*\***

<u>Sigma 8 Name</u>	<u>Equation Name</u>	<u>Description</u>	<u>Value</u>	<u>Units</u>
WAITIC	GW	A/C gross weight	13000.0	lb
SLCGBO	$SL_{CG}   \beta_m = 0$	A/C c.g. S.L. at $\beta_m = 0$	300.0	in
BLCG	$BL_{CG}$	A/C c.g. B.L. at $\beta_m = 0$	0.0	in
WLCGBO	$WL_{CG}   \beta_m = 0$	A/C c.g. W.L. at $\beta_m = 0$	81.65	in



FLIGHT CONFIGURATION GROUP (Concluded)

Sigma 8 Name	Equation Name	Description	Value	Units
XIXXB0	$I_{XX}   \beta_m = 0$	A/C roll inertia at $\beta_m = 0$	48668.0	slug-ft <sup>2</sup>
XIYYB0	$I_{YY}   \beta_m = 0$	A/C pitch inertia at $\beta_m = 0$	17907.0	slug-ft <sup>2</sup>
XIZZB0	$I_{ZZ}   \beta_m = 0$	A/C yaw inertia at $\beta_m = 0$	60254.0	slug-ft <sup>2</sup>
XIXZB0	$I_{XZ}   \beta_m = 0$	A/C cross inertia at $\beta_m = 0$	1234.0	slug-ft <sup>2</sup>
XKI1	$K_{I1}$	Constant in IXX equation	20.5	1/deg
XKI2	$K_{I2}$	Constant in IYY equation	11.24	1/deg
XKI3	$K_{I3}$	Constant in IZZ equation	9.26	1/deg
XKI4	$K_{I4}$	Constant in IXZ equation	1.76	1/deg
DCXTRM	$X_{LN}$	Longitudinal stick position	4.8	in
DWXTRM	$X_{LT}$	Lateral stick position	4.8	in
DPXTRM	$X_{PD}$	Pedal position input	2.5	in
COLSTK	$X_{COL}$	Collective stick position	6.96	in
MIC	$\beta_m$	Initial mast angle	0.0	deg
RPMPIC	$\Omega_{R,L}$	Center rotor RPM	589.0	RPM
VEQIC	U	Velocity along X-gnd axis	200.0	kts
VEQIC	V	Velocity along Y-gnd axis	0.0	kts
VEQIC	W	Velocity along Z-gnd axis	0.0	kts
PHIIC	$\phi$	Euler roll angle	0.0	deg
THETIC	$\theta$	Euler pitch angle	-3.0	deg
PSIIC	$\psi$	Euler yaw angle	0.0	deg
PBIC	p	A/C roll rate (X-body)	0.0	deg/sec
QBIC	q	A/C pitch rate (Y-body)	0.0	deg/sec
RBIC	r	A/C yaw rate (Z-body)	0.0	deg/sec
HIC	h	A/C position ground axis Z	5000.0	ft
VNW	$U_W$	Velocity of air mass	0.0	ft/sec
VEW	$V_W$	Velocity of air mass	0.0	ft/sec
VDW	$W_W$	Velocity of air mass	0.0	ft/sec
GAMVIC	--	Rate of descent (+ down)	0.0	ft/min
XIFLAP	$X_{FL}$	Flaps switch setting	1	-ND-
LELC	$X_{LG}$	Landing gear selector SW.	0	-ND-
MARR	--	1=SCAS ON, 0=SCAS OFF	1	-ND-
NSYS	--	Governor engaged	1	-ND-



**APPENDIX D**

**COMPREHENSIVE LIST OF SYMBOLS**

**GENERIC TILT-ROTOR SIMULATION  
MATHEMATICAL MODEL**

## LIST OF SYMBOLS

$A_{MAX}$	Maximum braking deceleration (ft/sec <sup>2</sup> )
$AR_W$	Wing aspect ratio (non-dimensional)
$AS_{CAL}$	Airspeed calibration slope correction (non-dimensional)
$AS_O$	Airspeed calibration intercept correction (kts)
ASAS	Roll (aileron) SCAS input (in)
$A_{1B_m}$	Lateral flapping controller coefficient, = $f(\beta_m)$ (non-dimensional)
$A_{1L}$	Left rotor lateral cyclic input (rad)
$A_{1R}$	Right rotor lateral cyclic input (rad)
$A_{1V_T}$	Lateral flapping controller coefficient, = $f(U)$ (deg)
$a_0$	Blade lift coefficient (1/rad)
$\bar{a}_0$	Precone angle (deg)
$a_V$	Lift curve slope of the vertical tail (1/rad)
$a_{XPA}$	x-axis (longitudinal) acceleration at the pilot's station (ft/sec <sup>2</sup> )
$a_{YPA}$	y-axis (lateral) acceleration at the pilot's station (ft/sec <sup>2</sup> )

$a_{ZPA}$	z-axis (vertical) acceleration at the pilot's station (ft/sec <sup>2</sup> )
$a_1$	Blade lift coefficient ( $1/\mu$ )
$a_{1L}$	Left rotor longitudinal flapping (+ backward for helicopter) (rad)
$a_{1R}$	Right rotor longitudinal flapping (+ backward for helicopter) (rad)
$\dot{a}_{1L}$	Left rotor longitudinal flapping rate (rad/sec)
$\dot{a}_{1R}$	Right rotor longitudinal flapping rate (rad/sec)
$a_2$	Blade lift coefficient ( $1/\mu^2$ )
B	Blade tip loss factor (non-dimensional)
$B_{FT_{XLN}}$	Longitudinal control force trim switch constant (non-dimensional)
$B_{FT_{XLT}}$	Lateral control force trim switch constant (non-dimensional)
$B_{FT_{XPD}}$	Pedal control force trim switch constant (non-dimensional)
$B_V(i)$	Zero rudder sideslip angle (deg)
$BL_{CG}$	Butt line of c.g. (in)
$BL_{Gn}$	Butt line of landing gear [where n = 1 (nose), 2 (right), 3 (left), landing gear] (in)
$BL_{PA}$	Butt line of the pilot's station (in)

$BL_{SP}$	Butt line of engine nacelle shaft pivot point (in)
$BL_V$	Butt line of the vertical stabilizer center of pressure (in)
$BL_V(i)$	Butt line of the vertical stabilizer(s) center of pressure (in)
$B_{1L}$	Left rotor forward cyclic input (rad)
$B_{1R}$	Right rotor forward cyclic input (rad)
$\partial B_1 / \partial X_{LN}$	Longitudinal cyclic pitch control gearing ratio, = $f(\beta_m)$ (deg/in)
$\partial B_1 / \partial X_{PD}$	Differential cyclic pitch control gearing ratio, = $f(\beta_m, V_T)$ (deg/in)
$b_{1L}$	Left rotor lateral flapping (+ outboard for helicopter) (rad)
$b_{1R}$	Right rotor lateral flapping (+ outboard for helicopter) (rad)
$\dot{b}_{1L}$	Left rotor lateral flapping rate (rad/sec)
$\dot{b}_{1R}$	Right rotor lateral flapping rate (rad/sec)
$b_W$	Wing span (ft)
CDALPH	Rotor drag equation coefficient (slope with alpha) (non-dimensional)
CDFACT	Rotor drag equation coefficient (non-dimensional)
$C_{DH}$	Horizontal stabilizer drag coefficient, = $f(\alpha_H, M_N)$ (non-dimensional)

CDLIM	Onset of profile drag rise (non-dimensional)
CDMACH	Coefficient for lower limit of rotor mach effects (non-dimensional)
CDMAX	Maximum rotor drag coefficient (non-dimensional)
$C_{D_{O_{WP}}} \Big _{C_{L_{WP}}=0}$	Wing coefficient of drag at wing coefficient of lift equal to zero, =f ( $M_N, \beta_m, F_X$ ) (non-dimensional)
$C_{DV}$	Vertical fin drag coefficient, = f( $\beta_V, \delta_r, M_N$ ) (non-dimensional)
$C_{D_{WP}}$	Wing-pylon drag coefficient, = f( $\alpha_W, \beta_m, F_X, M_N$ ) (non-dimensional)
$C_{LH}$	Horizontal stabilizer lift coefficient, = f( $\alpha_H, \delta_e, M_N$ ) (non-dimensional)
$C_{LH\beta}$	Horizontal stabilizer lift coefficient as a function of sideslip angle (1/deg)
$C_{L_{WP}}$	Wing-pylon lift coefficient, = f( $\alpha_W, \beta_m, F_X, M_N$ ) (non-dimensional)
$C_{L\alpha_a}$	Aerodynamic coefficient for the wing lift coefficient reduction due to aileron deflection, = f( $\delta_F$ ) (1/deg)
$\frac{\partial C_{L_{WP}}}{\partial \alpha_W} \Big _{C_{L_{WP}}=0}$	Partial of wing coefficient of lift with respect to angle of attack, = f( $M_N, \beta_m$ ) (non-dimensional)
$C_{l_p} \Big _{C_L=0, M_N=0}$	Aerodynamic coefficient in the wing rolling moment equation (1/rad)
$\frac{C_{l_r}}{C_{L_{WP}}} \Big _{M_N=0}$	Aerodynamic coefficient in the wing rolling moment equation (1/rad)

$\frac{\Delta C_{1r}}{(\partial \alpha_{WFS} / \partial \delta_F)(\delta_F)}$	Aerodynamic coefficient in the wing rolling moment equation (1/deg)
$C_{1\beta} \Big _{C_{L_{WP}} = M_N = 0}$	Aerodynamic coefficient in the wing rolling moment equation, = $f(\delta_F, \beta_F, \beta_m)$ (1/rad)
$\frac{C_{1\beta}}{C_{L_{WP}}} \Big _{M_N = 0}$	Aerodynamic coefficient in the wing rolling moment equation, = $f(\delta_F, \beta_F, \beta_m)$ (1/rad)
$C_{1\delta_a}$	Aerodynamic rolling moment coefficient due to wing aileron deflection (1/deg)
$C_{1\delta_a} \Big _{\substack{\delta_F = 0 \text{ deg} \\ \alpha_{WFS} < 8 \text{ deg}}}$	Aerodynamic coefficient in the wing rolling moment equation (1/deg)
$C_{MHO}$	Horizontal stabilizer pitching moment coefficient at zero angle of attack (non-dimensional)
$C_{MHA}$	Horizontal stabilizer pitching moment coefficient variation with angle of attack (1/deg)
$C_{m_{WP}}$	Wing-pylon pitching moment coefficient, = $f(\delta_F, \beta_m)$ (non-dimensional)
$\frac{C_{n_p}}{C_{L_{WP}}} \Big _{M_N = 0}$	Aerodynamic coefficient in the wing yawing moment equation (1/rad)
$\frac{C_{n_r}}{C_{D_{OWP}}}$	Aerodynamic coefficient in the wing yawing moment equation (1/rad)
$\frac{C_{n_r}}{C_{L_{WP}}^2}$	Aerodynamic coefficient in the wing yawing moment equation (1/rad)



$$C_{n\beta} \Big|_{C_{LWP} = M_N = 0}$$

Aerodynamic coefficient in the wing yawing moment equation (1/rad)

$$\frac{C_{n\beta}}{C_{LWP}^2} \Big|_{M_N = 0}$$

Aerodynamic coefficient in the wing yawing moment equation (1/rad)

COLRATE

Differential collective trim rate constant (deg/sec)

$C_{RFL}$

Left rotor force coefficient (non-dimensional)

$C_{RFR}$

Right rotor force coefficient (non-dimensional)

$C_T^-$

Maximum available rotor thrust coefficient, =  $f(\mu, \beta_m)$   
(non-dimensional)

CTMAXM

Rotor CT maximum multiplier coefficient  
(non-dimensional)

$$\frac{C_{Yp}}{C_{LWP}} \Big|_{M_N = 0}$$

Aerodynamic coefficient in the wing side force equation  
(1/rad)

$$C_{Yr} \Big|_{M_N = 0}$$

Aerodynamic coefficient in the wing side force equation  
(1/rad)

$C_{YV}$

Vertical fin side force (lift) coefficient, =  $f(\beta_V, \delta_r, M_N)$   
(non-dimensional)

$$C_{Y\beta} \Big|_{M_N = 0}$$

Aerodynamic coefficient in the wing side force equation  
(1/rad)

$c_b$

Blade chord (in)

$c_H$

Horizontal stabilizer chord (ft)

$c_W$

Wing chord (ft)

DBFO	Fuselage drag at $\alpha = 0$ deg, $\beta = 0$ deg (ft <sup>2</sup> )
DBI	B1 Offset rigging constant (deg)
D <sub>F</sub>	Aerodynamic drag on fuselage (wind axis) (lb)
D <sub>H</sub>	Aerodynamic drag on the horizontal stabilizer (lbs)
D <sub>iWPL</sub>	Aerodynamic drag of the left wing portion immersed in the rotor wake (lb)
D <sub>iWPR</sub>	Aerodynamic drag of the right wing portion immersed in the rotor wake (lb)
D <sub>Ke</sub>	Elevator effectiveness reduction factor for large elevator angles (non-dimensional)
D <sub>Kr</sub>	Rudder effectiveness reduction factor for large rudder angles (non-dimensional)
DLANG	Extra fuselage drag (ft <sup>2</sup> )
D <sub>MG</sub>	Aerodynamic drag on the main landing gear (lb)
D <sub>NG</sub>	Aerodynamic drag on the nose landing gear (lb)
D <sub>oMG</sub>	Drag of the main landing gear (VAX version), = f(LG <sub>PCT</sub> ) (ft <sup>2</sup> )
D <sub>oMGD</sub>	Drag of the main landing gear during extension (Sigma 8 version), = f(t) (ft <sup>2</sup> )
D <sub>oNG</sub>	Drag of the nose landing gear (VAX version), = f(LG <sub>PCT</sub> ) (ft <sup>2</sup> )

$D_{\text{ONGD}}$	Drag of the nose landing gear during extension, = $f(t)$ ( $\text{ft}^2$ )
$D_{\text{OMGU}}$	Drag of the main landing gear during retraction (Sigma 8 version), = $f(t)$ ( $\text{ft}^2$ )
$D_{\text{ONGU}}$	Drag of the nose landing gear during retraction (Sigma 8 version), = $f(t)$ ( $\text{ft}^2$ )
$D_{\text{PLAT}}$	Lateral pylon drag (lb)
$D_{\text{POD}}$	Fuselage landing gear pod drag ( $\text{ft}^2$ )
$D_{\text{PYINT}}$	Pylon interference drag, = $f(\beta_m)$ (lb)
$D_{\text{PYLN}}$	Pylon interference drag (lb)
$D_V(i)$	Aerodynamic drag on the vertical fin (wind axis) (lbs)
$D_{\text{WB}}$	Coefficient in the wing/body damping equation (non-dimensional)
$D_{\text{WP}}$	Aerodynamic drag on the wing portion outside the rotor wake (freestream) (lb)
$D_\alpha$	Fuselage drag variation with angle of attack, = $f(\alpha)$ ( $\text{ft}^2$ )
$D_\beta$	Fuselage drag variation with sideslip angle, = $f(\beta)$ ( $\text{ft}^2$ )
$D_{\text{SHPDT}}$	Rate of change of engine power, = $f(\text{HP}_{\text{ENG}}, P_{\text{ALT}})$ (SHP/sec)
E	Distance from takeoff point in the direction of grid East (+ East) (nautical miles)

$F_{ACT_{RUD_{LIM}}}$	Rudder force feel actuator limit (lb)
$F_{B_n}$	Brake force (+ aft) (lb)
$F_{D_n}$	Gear drag force in the plane of the landing surface due to friction (+ aft) (lb)
$F_{LN}$	Longitudinal stick force from the pilot (+ fwd) (lb)
$F_{LT}$	Lateral stick force from the pilot (+ right) (lb)
$F_{N_n}$	Gear normal force (+ down) (lb)
$F_{PD}$	Pedal force from the pilot (+ right) (lb)
$F_{S_n}$	Gear side force in the plane of the landing surface (+ to the right) (lb)
$\Lambda_{A_n}$	Landing gear linear damping term (lb-sec/ft)
$G_{B_n}$	Landing gear nonlinear damping term (lb-sec/ft <sup>3</sup> )
$G_{C_n}$	Landing gear nonlinear stiffness term (lb/ft <sup>4</sup> )
GEARDN	Landing gear extension time (sec)
GEARUP	Landing gear retraction time (sec)
GECON1	Constant in the rotor ground effect equation (ft/sec)
GECON2	Constant in the rotor ground effect equation (ft/sec)
GELLIM	Lower altitude limit in the ground effect rolling moment equation (non-dimensional)

GEULIM	Upper altitude limit in the ground effect rolling moment equation (non-dimensional)
GEWASH	Airspeed washout for rotor ground effects (ft/sec)
$G_{LNO}$	Longitudinal force feel system gradient (lb/in)
$G_{LNI}$	Longitudinal force feel system gradient (lb/in/PSF)
$G_{LTO}$	Lateral force feel system gradient (lb/in)
$G_{LTI}$	Lateral force feel system gradient (lb/in/PSF)
$G_{PDO}$	Pedal force feel system gradient (lb/in)
$G_{PDI}$	Pedal force feel system gradient (lb/in/PSF)
GW	Total aircraft gross weight (lb)
$G_{XLN}$	Longitudinal force feel system gradient (system on) (lb/in)
$G_{XLT}$	Lateral force feel system gradient (system on) (lb/in)
$G_{XPD}$	Pedal force feel system gradient (system on) (lb/in)
$GRD_{ALT}$	Pressure altitude on the surface of the ground (altitude above sea level) (ft)
$G_{1n-4n}$	Landing gear ground dynamic coefficients (gear oleo force) (non-dimensional)
g	Gravitational constant (ft/sec <sup>2</sup> )
$H_L$	Mast axis H-force left rotor (+ aft for helicopter) (lb)

$H_{LN}$	Longitudinal force feel system hysteresis force (lb)
$H_{LT}$	Lateral force feel system hysteresis force (lb)
$H_{PD}$	Pedal force feel system hysteresis force (lb)
$H_R$	Mast axis H-force right rotor (+ aft for helicopter) (lb)
$H_{RUD}$	Rudder force feel constant ( $ft^2/in$ )
$H_{XLN}$	Longitudinal force feel system hysteresis force (lb)
$H_{XLT}$	Lateral force feel system hysteresis force (lb)
$H_{XPD}$	Pedal force feel system hysteresis force (lb)
$h_{CG}$	Altitude of aircraft (ft)
$\dot{h}_{CG}$	Climb rate (ft/sec)
$h_H$	Rotor hub height above ground (ft)
$h_M$	Waterline distance from the pylon pivot axis to the non-tilting c.g. position (ft)
$h_p$	Pressure altitude (ft)
IAN	Yaw trim switch (non-dimensional)
IDIFF	Differential collective switch position (non-dimensional)
IFAH	Attitude retention ON/OFF switch (non-dimensional)
IFFENG	Force feel system engage switch (non-dimensional)

IFFON	Force feel system ON/OFF switch (non-dimensional)
IGB	RPM governor disengage switch (non-dimensional)
IGOVENG	RPM governor engage switch (non-dimensional)
IMB	Force feel system release switch (non-dimensional)
INACB	Nacelle beep switch position (non-dimensional)
IPCH	Pitch channel switch (Channel 1, 2, both) (non-dimensional)
IPDAMP	Roll SCAS ON/OFF switch (non-dimensional)
$I_{PYL}$	Moment of inertia of the nacelle/pylon (slug-ft <sup>2</sup> )
IQDAMP	Pitch SCAS ON/OFF switch (non-dimensional)
IRCH	Roll channel switch (Channel 1, 2, both) (non-dimensional)
IRDAMP	Yaw SCAS ON/OFF switch (non-dimensional)
IRPM	RPM adjustment wheel (increase/decrease) (non-dimensional)
ISCENG	SCAS engage switch (non-dimensional)
ISCRLS	SCAS release switch (non-dimensional)
$I_b$	Blade flapping inertia (slug-ft)
$I_{XX}$	Rolling moment of inertia about c.g. (slug-ft <sup>2</sup> )

$I_{XX} \Big _{\beta_m=0}$	Helicopter rolling moment of inertia, body axis (slug-ft <sup>2</sup> )
$I_{XZ}$	Product of inertia about c.g. (slug-ft <sup>2</sup> )
$I_{XZ} \Big _{\beta_m=0}$	Helicopter product of inertia, body axis (slug-ft <sup>2</sup> )
$I_{YY}$	Pitching moment of inertia about c.g. (slug-ft <sup>2</sup> )
$I_{YY} \Big _{\beta_m=0}$	Helicopter pitching moment of inertia, body axis (slug-ft <sup>2</sup> )
$I_{ZZ}$	Yawing moment of inertia about c.g. (slug-ft <sup>2</sup> )
$I_{ZZ} \Big _{\beta_m=0}$	Helicopter yawing moment of inertia, body axis (slug-ft <sup>2</sup> )
$I_1$	Drive system inertia (slug-ft <sup>2</sup> )
$i_H$	Horizontal stabilizer incidence (deg)
$i_v(i)$	Incidence of vertical stabilizer (deg)
$JT_L$	Left engine jet thrust (lb)
$JT_R$	Right engine jet thrust (lb)
$K_{B_n}$	Brake sensitivity (ft/sec <sup>2</sup> -deg)
$K_e$	Elevator effectiveness factor, = $f(\delta_e, M_N)$ (non-dimensional)
$K_{FWO}$	Constant in the rotor downwash/wing equation for flap effects (non-dimensional)



$K_{FWDF}$	Slope in the rotor downwash/wing equation for flap effects (1/deg)
$K_{HNU}$	Horizontal stabilizer dynamic pressure loss multiplier (non-dimensional)
$K_H$	Flapping spring rate (ft-lb/deg)
$K_{HUB}$	Coning hubspring (ft-lb/deg)
$K_{H\beta}$	Rotor wake on the horizontal stabilizer (constant) = $f(\beta_m, \beta_F)$ (non-dimensional)
$K_{INTG}$	Rotor collective governor integral gain, = $f(\beta_m)$ (non-dimensional)
$K_{I1}$	Roll inertia coefficient for varying inertia with mast angle (slug-ft <sup>2</sup> /deg)
$K_{I2}$	Pitch inertia coefficient for varying inertia with mast angle (slug-ft <sup>2</sup> /deg)
$K_{I3}$	Yaw inertia coefficient for varying inertia with mast angle (slug-ft <sup>2</sup> /deg)
$K_{I4}$	Product of inertia coefficient for varying inertia with mast angle (slug-ft <sup>2</sup> /deg)
$K_{JT1}$	Jet thrust coefficient, = $f(V_T)$ (lb)
$K_{JT2}$	Jet thrust coefficient, = $f(V_T)$ (lb/SHP)
$K_{LN}$	Longitudinal force feel system constant (system off) (lb/in)
$K_{LT}$	Lateral force feel system constant (system off) (lb/in)

KMU1 Induced velocity distribution equation coefficient  
(non-dimensional)

KMU2 Induced velocity distribution equation coefficient  
(non-dimensional)

KMUSF Induced velocity distribution equation coefficient for  
sideward flight (non-dimensional)

$K_{l\delta_a}$  Aileron effectiveness correction factor, =  $f(\alpha_{WFS}, \beta_m, \delta_F)$

$K_{np}$  Wing yawing moment equation constant (non-dimensional)

$K_{n\delta_a}$  Yawing moment (aileron) coefficient, =  $f(\delta_F, \beta_m)$   
(non-dimensional)

$K_{no\delta_a}$  Yawing moment (aileron) coefficient, =  $f(\delta_F, \beta_m)$  (1/deg)

$K_{PLAT}$  Pylon lateral drag coefficient, =  $f(\bar{\alpha}_{PYL})$  (non-  
dimensional)

$K_{PROG}$  Rotor collective governor proportional gain, =  $f(\beta_m)$   
(non-dimensional)

$K_r$  Rudder effectiveness factor (non-dimensional)

$K_{RPM}$  Helicopter mode operating rpm ( $\beta_m = 0$  deg) (percent)

$K_{RW}$  Rotor skew angle velocity distribution factor  
(non-dimensional)

$K_{VNU}$  Vertical stabilizer dynamic pressure loss multiplier  
(non-dimensional)

$K_{XRW}$  Constant in the rotor downwash/wing equation (non-  
dimensional)

$K_{\beta HS}$	Sideslip factor on dynamic pressure ratio at the constant, = $f(\beta_F)$ (non-dimensional)
$K_{\beta R}$	Rotor sidewash factor on dynamic pressure, = $f(\beta_F, V_T)$ (non-dimensional)
$K_{\beta VS}$	Sideslip factor on dynamic pressure ratio at the vertical stabilizer, = $f(\beta_F)$ (non-dimensional)
$K_0 \dots K_4$	Constants in the rotor/wing wake equation (non-dimensional)
$K_1$	Engine shaft horsepower equation coefficient (non-dimensional)
$K_2$	Engine shaft horsepower equation coefficient (non-dimensional)
$K_3$	Engine shaft horsepower equation coefficient (non-dimensional)
$K_4$	Engine shaft horsepower equation coefficient (RPM)
$K_5$	Engine shaft horsepower equation coefficient (RPM/ $\sqrt{HP}$ )
$K_6$	Engine shaft horsepower equation coefficient (HP)
$K_7$	Engine shaft horsepower equation coefficient (deg K)
$K_{11}$	Engine throttle control coefficient (1/deg K)
$K_{12}$	Engine throttle control coefficient (1/deg)
$K_{13}$	Engine throttle control coefficient (1/deg <sup>2</sup> )
$K_{14}$	Engine throttle control coefficient (deg)

$K_{15}$	Engine throttle control coefficient (1/kt)
$K_{18}$	Engine rating (limit output) (SHP)
$K_{1P} \rightarrow K_{7P}$	Pitch SCAS gains (see Appendix B)
$K_{1R} \rightarrow K_{7R}$	Roll SCAS gains (see Appendix B)
$K_{1Y} \rightarrow K_{3Y}$	Yaw SCAS gains (see Appendix B)
$K_{1RGA}$	Rotor collective governor actuator gain (non-dimensional)
$K_{2RGA}$	Rotor collective governor actuator gain (non-dimensional)
$K_{3RGA}$	Rotor collective governor actuator gain (non- dimensional)
$K_{4RGA}$	Rotor collective governor actuator gain (non-dimensional)
LBFO	Fuselage lift at $\alpha = 0$ deg, $\beta = 0$ deg ( $ft^2$ )
$L_F$	Aerodynamic lift on fuselage (wind axis) (lb)
$L_{G_{TLT}}$	Landing gear touchdown light (non-dimensional)
$L_H$	Aerodynamic lift on the horizontal stabilizer (lb)
$L_{iWPL}$	Aerodynamic lift of the left wing portion immersed in the rotor wake (lb)
$L_{iWPR}$	Aerodynamic lift of the right wing portion immersed in the rotor wake (lb)
LLANG	Extra fuselage lift ( $ft^2$ )

$L_{LG}$	Landing gear position indicator (non-dimensional)
$L_N$	Distance from the pylon pivot axis to the pylon c.g. (ft)
$L_{WP}$	Aerodynamic lift on the wing portion outside the rotor wake (freestream) (lb)
$L_\alpha$	Fuselage lift variation with angle of attack, = $f(\alpha)$ (ft <sup>2</sup> )
$L_\beta$	Fuselage lift variation with sideslip angle, = $f(\beta)$ (ft <sup>2</sup> )
$l_A$	Total rolling moment on the aircraft in body axis (ft-lb)
$l_{b1L}$	Mast axis lateral flapping restraint exerted by left rotor on airframe (+ outboard for helicopter) (ft-lb)
$l_{b1R}$	Mast axis lateral flapping restraint exerted by right rotor on airframe (+ outboard for helicopter) (ft-lb)
$l_F$	Aerodynamic rolling moment on fuselage (wind axis) (ft-lb)
$l_{G0}$	Ground effect rolling moment coefficient (ft-lb/deg)
$l_{G1}$	Ground effect rolling moment coefficient (ft-lb/deg-ft)
$l_{G2}$	Ground effect rolling moment coefficient (ft-lb/deg-ft <sup>2</sup> )
$l_{G3}$	Ground effect rolling moment coefficient (ft-lb/deg-ft <sup>3</sup> )
$l_{G4}$	Ground effect rolling moment coefficient (sec/ft)
$l_m$	Mast length (ft)

$(1,M,N)_F$	Rolling, pitching, and yawing aerodynamic moments on the fuselage about the body x-, y-, and z-axes (ft-lb)
$(1,M,N)_H$	Rolling, pitching, and yawing aerodynamic moments due to the horizontal stabilizer about the body x-, y-, and z-axes (ft-lb)
$(1,M,N)_L$	Rolling, pitching, and yawing moments due to the left rotor about the body x-, y-, and z-axes (ft-lb)
$(1,M,N)_R$	Rolling, pitching, and yawing moments due to the right rotor about the body x-, y-, and z-axes (ft-lb)
$(1,M,N)_{WP}$	Rolling, pitching, and yawing aerodynamic moments due to the wing-pylon about the body x-, y-, and z-axes (ft-lb)
$l_{WP}$	Rolling moment of the wing-pylon in wind axis (ft-lb)
$(\Delta l, \Delta M, \Delta N)_{LG}$	Total landing gear rolling, pitching, and yawing moments in body axis (ft-lb)
$l_{XV}(i)$	Station line distance from the c.g. to the vertical stabilizer center of pressure (ft)
$l_{YV}(i)$	Butt line distance from the c.g. to the vertical stabilizer center of pressure (ft)
$l_{ZV}(i)$	Water line distance from the c.g. to the vertical stabilizer center of pressure (ft)
$l_\beta$	Fuselage rolling moment variation with sideslip angle, = $f(\beta)$ (ft <sup>3</sup> )
$l_M$	Stationline distance from the pylon pivot axis to the non-tilting c.g. position (ft)
$M_A$	Total pitching moment on the aircraft in body axis (ft-lb)

$M_{a1L}$	Mast axis longitudinal flapping restraint exerted by left rotor on airframe (+ nose up for helicopter) (ft-lb)
$M_{a1R}$	Mast axis longitudinal flapping restraint exerted by right rotor on airframe (+ nose up for helicopter) (ft-lb)
MBFO	Fuselage pitching moment at $\alpha = 0$ deg, $\beta = 0$ deg (ft <sup>3</sup> )
MENB	Pylon lock switch (non-dimensional)
$M_F^c$	Aerodynamic pitching moment on fuselage (wind axis) (ft-lb)
$M_{G1}$	Constant in the IGE pitching moment equation (ft)
$M_{G2}$	Constant in the IGE pitching moment equation (non-dimensional)
$N_{G3}$	Constant in the IGE pitching moment equation (sec/ft)
$M_H^c$	Aerodynamic pitching moment on the horizontal stabilizer (ft-lb)
$M_N$	Mach number (non-dimensional)
$M_{WP}^c$	Pitching moment of the wing-pylon in wind axis (ft-lb)
MUHO	Induced velocity distribution equation coefficient (non-dimensional)
MUH1	Induced velocity distribution equation coefficient (non-dimensional)
$M_\alpha$	Fuselage pitching moment variation with angle of attack, = $f(\alpha)$ (ft <sup>3</sup> )

$M_{\beta}$  Fuselage pitching moment variation with sideslip angle,  
 =  $f(\beta)$  ( $\text{ft}^2$ )

$m$  Number of rotor segments (non-dimensional)

$m$  Aircraft mass ( $\text{GW}/32/2$ ) (slug)

$N_A$  Total yawing moment on the aircraft in body axis (ft-lb)

$N_F$  Aerodynamic yawing moment on fuselage (wind axis) (ft-lb)

$N_N$  Distance from takeoff point in the direction of grid North (+ North) (nautical miles)

$N_{R_{\text{MAX}}}$  Maximum rotor speed (RPM)

$N_{WP}$  Yawing moment of the wing-pylon in wind axis (ft-lb)

$N_X$  x-axis (longitudinal) acceleration at the c.g. in body axis ( $g$ 's)

$N_Y$  y-axis (lateral) acceleration at the c.g. in body axis ( $g$ 's)

$N_Z$  z-axis (vertical) acceleration at the c.g. in body axis ( $g$ 's)

$N_{\beta}$  Fuselage yawing moment variation with sideslip angle,  
 =  $f(\beta)$  ( $\text{ft}^3$ )

$NV_{\text{STAB}}$  Number of vertical stabilizers (non-dimensional)

$n_b$  Number of rotor blades (non-dimensional)

$P_{\text{AX}}$  x-position of the aircraft c.g. with respect to the ground (nautical miles)



$P_{AY}$	y-position of the aircraft c.g. with respect to the ground (nautical miles)
$P_{AZ}$	z-position of the aircraft c.g. with respect to the ground (nautical miles)
$P_{ALT}$	Pressure altitude
$PCPM$	Mach number effect on the $(\partial \epsilon_{W/H} / \partial \alpha_W)$ , $f(M_N)$ (non-dimensional)
$PBMMAX$	Maximum forward pylon position (deg)
$PBMMIN$	Maximum aft pylon position (deg)
$PSCAS$	Pitch (elevator) SCAS output (in)
$PSCAS_{MX}$	Pitch (elevator) SCAS actuator limit (in)
$P_{HOLD_{MAX}}$	Pitch attitude hold limit (in)
$P_a$	Ambient absolute pressure (lb/ft <sup>2</sup> )
$P_o$	Sea level standard atmospheric pressure (lb/in <sup>2</sup> )
$P_{SRG}$	Rotor collective governor actuator constant (lb/in <sup>2</sup> )
$p$	Body axis roll rate (rad/sec)
$pctm_{xp}$	Commanded power at which the acceleration ceases to follow the maximum acceleration curve (percent)
$pctm_{xs}$	Commanded power turbine speed at which the acceleration ceases to follow the maximum acceleration curve (percent)
$\dot{p}$	Body axis roll angular acceleration (rad/sec <sup>2</sup> )

$Q_L$	Mast axis left rotor torque (+ trying to slow rotor down) (ft-lb)
$Q_{LPT}$	Left engine power turbine torque (ft-lb)
$Q_{MAX}$	Maximum allowable rotor torque (ft-lb)
$Q_R$	Mast axis right rotor torque (+ trying to slow rotor down) (ft-lb)
$Q_{RPT}$	Right engine power turbine torque (ft-lb)
$q$	Body axis pitch rate (rad/sec)
$\dot{q}$	Body axis pitch angular acceleration (rad/sec <sup>2</sup> )
$q_F$	Fuselage dynamic pressure (lb/ft <sup>2</sup> )
$\dot{q}_{\beta_m}$	Pitch acceleration due to pylon tilt (rad/sec <sup>2</sup> )
$R$	Rotor radius (ft)
$R_{ALT}$	Radar altitude (ft)
$R_{HOLD_{MAX}}$	Roll attitude hold limit (in)
$RPME$	100 percent engine power turbine speed multiplier (nondimensional)
$RPM_{N_{II}}$	Engine $N_{II}$ RPM (rad/sec)
$RPM_{P_{MAX}}$	Maximum rotor RPM limit (RPM)
$RPM_{P_{MIN}}$	Minimum rotor RPM limit (RPM)
$RPM_{SEL}$	Pilot's selected operating rotor speed (RPM)

RSCAS	Roll (aileron) SCAS output (in)
RSCAS <sub>MX</sub>	Roll (aileron) SCAS actuator limit (in)
RSHP	Commanded (throttle) referred optimum SHP on one engine, = $f(X_{THR})$ (SHP)
K <sub>RAM</sub>	Ram effect equation coefficient, = $f(V_T)$ (non-dimensional)
R <sub>WL</sub>	Left rotor wake contraction ratio (non-dimensional)
R <sub>WR</sub>	Right rotor wake contraction ratio (non-dimensional)
r	Body axis yaw rate (rad/sec)
$\dot{r}$	Body axis yaw angular acceleration (rad/sec <sup>2</sup> )
SD	Spinner drag (lb)
(SD/q)	Constant in the variable drag portion of the spinner drag equation (function of mast angle) (ft <sup>2</sup> )
(SD/q) <sub><math>\beta_m=90</math></sub>	Constant for drag of the spinner at 90 deg mast angle (ft <sup>2</sup> )
SFWASH	Airspeed washout for side-by-side rotor effect (ft/sec)
S <sub>H</sub>	Horizontal stabilizer area (ft <sup>2</sup> )
SHP <sub>ACC</sub>	Engine accessory power loss (SHP)
SL <sub>CG</sub>	Station line of c.g. (in)
SL <sub>CG</sub>   $\beta_m=0$	Station line of helicopter c.g. (in)

SL <sub>F</sub>	Station line of fuselage center of pressure (in)
SL <sub>Gn</sub>	Station line of landing gear [where n = 1 (nose), 2 (right), 3 (left) landing gear] (in)
SL <sub>H</sub>	Station line of the horizontal stabilizer center of pressure (in)
SL <sub>MG</sub>	Station line of the main landing gear (in)
SL <sub>NG</sub>	Station line of the nose landing gear (in)
SL <sub>P</sub>	Station line of pylon center of gravity (in)
SL <sub>PA</sub>	Station line of the pilot's station (in)
SL <sub>SP</sub>	Station line of engine nacelle shaft pivot point (in)
SL <sub>V(i)</sub>	Station line of the vertical stabilizer(s) center of pressure (in)
SL <sub>WP</sub>	Station line of the wing-pylon center of pressure (in)
SL <sub>WTE</sub>	Station line of the wing trailing edge (in)
S <sub>PYL</sub>	Projected lateral pylon area (ft <sup>2</sup> )
S <sub>V(i)</sub>	Vertical stabilizer total area (ft <sup>2</sup> )
S <sub>W</sub>	Wing area (ft <sup>2</sup> )
T <sub>a</sub>	Ambient absolute temperature (deg K)
T <sub>DN</sub>	Time for landing gear to extend (VAX version) (sec)
THOGMN	Governor blade angle limit (minimum) (deg)

THOGMX	Governor blade angle limit (maximum) (deg)
$T_L$	Mast axis left rotor thrust (+ up for helicopter) (lb)
$T_O$	Absolute sea level standard temperature (deg K)
$T_R$	Mast axis right rotor thrust (+ up for helicopter) (lb)
$T_{UP}$	Time for landing gear to retract (VAX version) (sec)
$T_D$	Engine throttle and power turbine response delay time (sec)
U	x-velocity (longitudinal) of the aircraft c.g. in body axis with respect to the air (ft/sec)
$U_{EB}$	x-velocity of the aircraft c.g. with respect to the air along earth axes (ft/sec)
$U_G$	x-velocity ground component of aircraft c.g. (ft/sec)
$U_i \Big _{R/H}^B$	Induced x-velocity at horizontal stabilizer in body axis due to the rotor (ft/sec)
$U_i \Big _{R/V}^B$	Induced x-velocity at the vertical fin in body axis due to the rotor (ft/sec)
$U_i \Big _{R/WL}^B$	Induced x-velocity at the left wing in body axis due to the rotor (ft/sec)
$U_i \Big _{R/WR}^B$	Induced x-velocity at the right wing in body axis due to the rotor (ft/sec)
$U_{KCAS}$	Calibrated airspeed (kt)
$U_o$	Initialization x-axis velocity (ft/sec)

$U_{PA}$	x-velocity of the pilot's station in body axis (ft/sec)
$U_W$	Wind x-velocity with respect to the ground (ft/sec)
$\dot{U}$	Rate of change of x-velocity (longitudinal) of the rotorcraft c.g. in body axis with respect to the air (ft/sec <sup>2</sup> )
$V$	y-velocity (lateral) of the aircraft c.g. in the body axis with respect to the air (ft/sec)
$\bar{V}$	Ratio of the total velocity of the hub to the rotor tip speed (non-dimensional)
$V_{EB}$	y-velocity of the aircraft c.g. with respect to the air along earth axes (ft/sec)
$V_G$	y-velocity ground component of aircraft c.g. (ft/sec)
$V_O$	Initialization y-axis velocity (ft/sec)
$V_{PA}$	y-velocity of the pilot's station in body axis (ft/sec)
$V_T$	Total linear velocity of the aircraft c.g. with respect to the air (ft/sec)
$\dot{V}$	Rate of change of y-velocity (lateral) of the rotorcraft c.g. in body axis with respect to the air (ft/sec <sup>2</sup> )
$W$	z-velocity (vertical) of the aircraft c.g. in body axis with respect to the air (ft/sec)
$\dot{W}$	Rate of change of z-velocity (vertical) of the aircraft c.g. in body axis with respect to the air (ft/sec)
$W_{EB}$	z-velocity component of the aircraft c.g. with respect to the air along earth axes (ft/sec)

$W_G$	z-velocity ground component of aircraft c.g. (ft/sec)
$W_i \Big _{R/H}^B$	Induced z-velocity at horizontal stabilizer in body axis due to the rotor (ft/sec)
$W_i \Big _{R/V}^B$	Induced z-velocity at the vertical fin in body axis due to the rotor (ft/sec)
$W_i \Big _{R/WL}^B$	Induced z-velocity at the left wing in body axis due to the rotor (ft/sec)
$W_i \Big _{R/WR}^B$	Induced z-velocity at the right wing in body axis due to the rotor (ft/sec)
$W_i \Big _{R/WL}$	Induced velocity at the left wing in mast axis due to the rotor (ft/sec)
$W_i \Big _{R/WR}$	Induced velocity at the right wing in mast axis due to the rotor (ft/sec)
$\frac{W_i \Big _{R/H}}{W_i}$	Ratio of the induced z-axis rotor wake velocity on the horizontal stabilizer to the mean induced velocity at the rotor (for both right and left rotor) = $f(\alpha_F, \beta_m, V_T)$ (non-dimensional)
$W_{iL}$	Mast axis uniform component of induced velocity at left rotor (+ downward for helicopter) (ft/sec)
$W_{iR}$	Mast axis uniform component of induced velocity at right rotor (+ down for helicopter) (ft/sec)
$W_o$	Initialization z-axis velocity (ft/sec)
$WL_{CG}$	Water line of c.g. (in)
$WL_{CG} \Big _{\beta_m=0}$	Water line of helicopter c.g. (in)
$WL_F$	Water line of the fuselage center of pressure (in)

$WL_{Gn}$	Water line of landing gear [where $n = 1$ (nose), 2 (right), 3 (left) landing gear] (in)
$WL_H$	Water line of the horizontal stabilizer center of pressure (in)
$WL_{MG}$	Water line of the main landing gear (in)
$WL_{NG}$	Water line in the nose landing gear (in)
$WL_P$	Water line of pylon center of gravity (in)
$WL_{PA}$	Water line of the pilot's station (in)
$WL_{SP}$	Water line of engine nacelle shaft pivot point (in)
$WL_V(i)$	Water line of the vertical stabilizer(s) center of pressure (in)
$WL_{WP}$	Water line of the wing-pylon center of pressure (in)
$W_P$	Weight of both pylons (lb)
$W_{PA}$	z-velocity of the pilot's station in body axis (ft/sec)
$(X,Y,Z)_F$	Aerodynamic forces on the fuselage, body axis (lb)
$(X,Y,Z)_H$	Aerodynamic forces on the horizontal stabilizer, body axis (lb)
$(X,Z)_{iPYL}$	Pylon interference drag forces in body axis (lb)
$(X,Y,Z)_L$	Left rotor forces in body axis (lb)
$(X,Y,Z)_{MG}$	Aerodynamic forces on the main landing gear, body axis (lb)



$(X,Y,Z)_{NG}$	Aerodynamic forces on the nose landing gear, body axis (lb)
$(X,Y,Z)_{PYLT}$	Lateral pylon drag model aerodynamic forces, body axis (lb)
$(X,Y,Z)_R$	Right rotor forces in body axis (lb)
$(X,Y,Z)_{SD}$	Spinner drag aerodynamic forces in body axis (lb)
$(X,Y,Z)_V(i)$	Aerodynamic forces on the vertical stabilizer(s), body axis (lb)
$(X,Y,Z)_{WP}$	Aerodynamic forces on the wing-pylon portion in the freestream, body axis (lb)
$(X,Z)_{iWPL}$	Aerodynamic forces on the portion of the left wing-pylon in the rotor wake, body axis (lb)
$(X,Y)_{iWPR}$	Aerodynamic forces on the portion of the right wing-pylon in the rotor wake, body axis (lb)
$(X,Z)_{JTL}$	Left engine jet thrust forces, body axis (lb)
$(X,Z)_{JTR}$	Right engine jet thrust forces, body axis (lb)
$X_A$	Total x-force on the aircraft body axis (lbs)
$X_{CG}$	Longitudinal c.g. displacement as a function of mast tilt angle (in)
$\dot{X}_{CG}$	Rate of longitudinal c.g. displacement as a function of mast tilt angle (in/sec)
$\ddot{X}_{CG}$	Acceleration of longitudinal c.g. displacement as a function of mast tilt angle (in/sec <sup>2</sup> )

$X_{COL}$	Collective stick position, inches from full down (in)
$X_{EK}$	Right (K = 1) or left (K = 2) engine operating flag (nondimensional)
$X_{Ke}$	Elevator effectiveness factor, = $f(M_N)$ (non-dimensional)
$X_{FL}$	Position of flap indicator (non-dimensional)
$(X_{iW}, Y_{iW})_L$	Moment arms for left wing-pylon z-force due to rotor wake (in)
$(X_{iW}, Y_{iW})_R$	Moment arms for right wing-pylon z-force due to rotor wake (in)
$X_{Kr}$	Rudder effectiveness factor, = $f(M_N)$ (non-dimensional)
$X_L$	Left rotor x-force (body axis) (lb)
$X_{LG}$	Position of landing gear indicator (non-dimensional)
$X_{LN}$	Longitudinal stick position, inches from full aft (in)
$X_{LNN}$	Longitudinal stick neutral position (in)
$X_{LNT}$	Longitudinal stick force feel trim position (in)
$\dot{X}_{LNT0}$	Longitudinal trim rate force feel system constant (in/sec)
$\dot{X}_{LNT1}$	Longitudinal trim rate force feel system constant (in/sec/PSF)
$\dot{X}_{LTT0}$	Lateral trim rate force feel system constant (in/sec)
$\dot{X}_{LTT1}$	Lateral trim rate force feel system constant (in/sec/PSF)

$X_{LT}$	Lateral stick position, inches from full left (in)
$X_{LTN}$	Lateral stick neutral position (in)
$X_{LTT}$	Lateral stick force feel trim position (in)
$X_m$	Blade station/R (non-dimensional)
$X_o$	Initial x-position of the aircraft c.g. with respect to the ground (ft)
$X_{PD}$	Pedal position, inches from full left (in)
$X_{PDN}$	Pedal neutral position (in)
$X_{PDT}$	Pedal force feel trim position (in)
$\dot{X}_{PDT0}$	Pedal trim rate force feel system constant (in/sec)
$\dot{X}_{PDT1}$	Pedal trim rate force feel system constant (in/sec/PSF)
$X_R$	Right rotor x-force (body axis) (lb)
$X_{RW0}$	Constant in the rotor downwash/wing equation (non-dimensional)
$X_{RW1}$	Constant in the rotor downwash/wing equation (1/deg)
$X_{RW2}$	Constant in the rotor downwash/wing equation (1/deg <sup>2</sup> )
$X_{SF}$	Sideward flight rotor correction factor, = $f( \bar{V} )$ (non-dimensional)
$X_{SS}$	Side-by-side rotor effect correction factor, = $f(\bar{u})$ (non-dimensional)

$X_{THL}$	Left engine throttle position at the fuel control (deg)
$X_{THR}$	Right engine throttle position at the fuel control (deg)
$(\Delta X, \Delta Y, \Delta Z)_{LG}$	Total landing gear forces in body axis (lb)
$X_{\beta_m}$	Position of mast tilt actuator (percent)
$Y_A$	Body axis total y-force on the aircraft (lb)
$Y_F^c$	Aerodynamic side force on fuselage (wind axis) (lb)
$Y_L$	Mast axis Y-force left rotor (+ right for helicopter) (lb)
$Y_o$	Initial y-position of the aircraft c.g. with respect to the ground (ft)
$Y_R$	Mast axis Y-force right rotor (+ right for helicopter) (lb)
$Y_{SCAS}$	Yaw (rudder) SCAS output (in)
$Y_{SCAS_{MX}}$	Yaw (rudder) SCAS actuator limit (in)
$Y_V^c(i)$	Aerodynamic side force (lift) on the vertical fin in wind axis (lb)
$Y_{WP}^c$	Side force moment of the wing-pylon in wind axis (ft-lb)
$Y_\beta$	Fuselage side force variation with sideslip angle, = $f(\beta)$ (ft <sup>2</sup> )
$Z_A$	Total body axis z-force on the aircraft (lb)
$Z_{CG}$	Vertical c.g. displacement as a function of mast tilt angle (in)

$Z_o$	Initial z-position of the aircraft c.g. with respect to the ground (ft)
$\dot{z}_{CG}$	Rate of vertical c.g. displacement as a function of mast tilt angle (in/sec)
$\ddot{z}_{CG}$	Acceleration of vertical c.g. displacement as a function of mast tilt angle (in/sec <sup>2</sup> )
$Z_n$	Landing gear stroke (ft)
$Z'_n$	Landing gear oleo stroke (ft)
$\dot{z}_n$	Landing gear stroke rate (ft/sec)
$Z_{TIRE_n}$	Maximum tire deflection (ft)
$\partial\alpha_{WFS}/\partial\delta_F$	Partial of wing angle of attack with respect to partial of flap deflection (non-dimensional)
$\alpha_F$	Fuselage angle of attack (rad)
$\alpha_H$	Horizontal stabilizer angle of attack (deg)
$\alpha_{iWL}$	Angle of attack of the wing portion immersed in the left rotor wake (deg)
$\alpha_{iWR}$	Angle of attack of the wing portion immersed in the right rotor wake (deg)
$\alpha_{OL}$	Blade zero lift coefficient (deg)
$\alpha_{PLAT}$	Pylon angle of attack used for transformation from wind to body axis (rad)
$\alpha_{SP}$	Spinner angle of attack used for transformation from wind to body axis (rad)

$\alpha_{WFS}$	Angle of attack of the wing portion outside the rotor wake (freestream) (rad)
$\dot{\alpha}_F$	Rate of change of fuselage angle of attack (rad/sec)
$\beta_F$	Fuselage sideslip angle (rad)
$\beta_{iWL}$	Sideslip angle of the wing portion immersed in the left rotor wake (deg)
$\beta_{iWR}$	Sideslip angle of the wing portion immersed in the right rotor wake (deg)
$\beta_m$	Mast conversion angle (+ forward, 0 deg = vertical or helicopter, 90 deg = horizontal or airplane) (rad)
$\dot{\beta}_m$	Mast conversion rate (deg/sec)
$\dot{\beta}_{mC}$	Commanded mast conversion rate, = $f(\beta_m)$ (deg/sec)
$\beta_{PLAT}$	Pylon sideslip angle used for transformation from wind to body axis (rad)
$\beta_{SP}$	Spinner sideslip angle used for transformation from wind to body axis (rad)
$\beta_V$	Rudder sideslip angle (rad)
$\Delta S_{t_n}$	Oleo stroke (- for compression) (ft)
$\Delta \dot{S}_{t_n}$	Oleo stroke rate (- for compression) (ft/sec)
$\delta_a$	Aileron mean deflection angle (+ right aileron up) (deg)
$\partial \delta_a / \partial X_{LT}$	Aileron to lateral stick position gearing ratio (deg/in)
$\partial \delta_F / \partial t$	Rate of change of flaps with time (deg/sec)

$\delta_{B_n}$	Brake pedal deflection (deg)
$\delta_{Bl}$	Bl offset rigging constant (deg)
$\delta_{B_n\text{MIN}}$	Brake threshold deflection (deg)
$\delta_e$	Elevator mean deflection angle (+ trailing edge down) (deg)
$\partial\delta_e/\partial X_{LN}$	Elevator to longitudinal stick position gearing ratio (deg/in)
$\delta_F$	Flap position indicator (non-dimensional)
$\delta_{NW}$	Nose wheel steering angle (rad)
$\delta_r$	Rudder mean deflection angle (+ trailing edge right) (deg)
$\partial\delta_r/\partial X_{PD}$	Rudder to pedal position gearing ratio (deg/in)
$\delta_0$	Blade drag coefficient (non-dimensional)
$\delta_1$	Blade drag coefficient (1/rad)
$\delta_2$	Blade drag coefficient (1/rad <sup>2</sup> )
$\delta_3$	Pitch flap coupling (deg)
$\epsilon_{W/H}$	Wing wake deflection at the horizontal stabilizer, = $f(\alpha_{WFS}, \beta_m, \delta_F, M_N)$
$\Delta\epsilon_p$	Commanded throttle position error threshold (nondimensional)
$\Delta\epsilon_s$	Power turbine RPM error threshold (nondimensional)

$\zeta_d$	Lateral flapping controller damping parameter (non-dimensional)
$\zeta_{LN}$	Longitudinal force feel system viscous damping coefficient (non-dimensional)
$\zeta_{LT}$	Lateral force feel system viscous damping coefficient (non-dimensional)
$\zeta_{PD}$	Pedal force feel system viscous damping coefficient (non-dimensional)
$\zeta_{XLN}$	Longitudinal force feel viscous damping coefficient (non-dimensional)
$\zeta_{XLT}$	Lateral force feel viscous damping coefficient (non-dimensional)
$\zeta_{XPD}$	Pedal force feel viscous damping coefficient (non-dimensional)
$\eta_H$	Dynamic pressure ratio at the horizontal tail, $= f(\alpha_F, \beta_m, V_T)$ (non-dimensional)
$\eta_{XMSN}$	Transmission efficiency (nondimensional)
$\eta_V$	Dynamic pressure ratio at the vertical tail (non-dimensional)
$\theta$	Euler pitch angle (rad)
$\dot{\theta}$	Rate of change of Euler pitch angle (rad/sec)
$\theta_{ERR\_LIM}$	Maximum error position limit on the governor actuator (deg)
$\theta_{FCP\_LIM}$	Maximum governor flow control piston position limit (deg)



$\theta_{INT_1}$	Rotor interconnect gear ratio (non-dimensional)
$\theta_m$	Blade twist (deg)
$\partial\theta_o/\partial X_{COL}$	Collective pitch control gearing ratio, = $f(\beta_m)$ (deg/in)
$\partial\theta_o/\partial X_{LT}$	Differential collective pitch control gearing ratio, = $f(\beta_m)$ (deg/in)
$\Delta\theta_{OLIM}$	Differential collective trim limit (deg)
$\theta_{oL}$	Left rotor root collective pitch (rad)
$\theta_{oLL}$	Root collective pitch lower limit, = $f(\beta_m)$ (deg)
$\theta_{oL/G}$	Left rotor collective pitch input from the left rotor collective governor (deg)
$\theta_{oR/G}$	Right rotor collective pitch input from the right rotor collective governor (deg)
$\theta_{oR}$	Right rotor root collective pitch (rad)
$\theta_{RPT_1}$	Rotor turbine gear ratio (non-dimensional)
$\theta_w$	Euler pitch angle of wind (rad)
$(\Lambda_{c/4})_w$	Wing quarter chord sweep angle (deg)
$\Lambda_w$	Wing quarter chord sweep angle (deg)
$\lambda_L$	Inflow ratio, left rotor (non-dimensional)
$\lambda_{PYL}$	Angle between the fuselage waterline reference and $L_N$ at $\beta_m = 0$ (deg)

$\lambda_R$	Inflow ratio, right rotor (non-dimensional)
$\rho$	Air density (slug/ft <sup>3</sup> )
$\rho_0$	Air density at sea level standard conditions (slug/ft <sup>3</sup> )
$\partial\sigma/\partial\hat{p}$	Roll rate correction coefficient to fin sideslip angle (non-dimensional)
$\partial\sigma/\partial\hat{r}$	Yaw rate correction coefficient to fin sideslip angle (non-dimensional)
$(1 - \frac{\partial\sigma}{\partial\beta_F})$	Vertical stabilizer sidewash factor, = f( $\beta_F, \beta_m, \delta_F, \alpha_F$ ) (non-dimensional)
$\tau_e$	Elevator effectiveness ( $\partial\alpha_H/\partial\delta_e$ ) (non-dimensional)
$\tau_p$	Roll SCAS time constant (sec)
$\tau_q$	Pitch SCAS time constant (sec)
$\tau_r$	Rudder effectiveness ( $\partial\beta_V/\partial\delta_r$ ) (non-dimensional)
$\tau_{1P} \rightarrow \tau_{6P}$	Pitch SCAS time constants (sec)
$\tau_{1R} \rightarrow \tau_{5R}$	Roll SCAS time constants (sec)
$\tau_{1Y} \rightarrow \tau_{2Y}$	Yaw SCAS time constants (sec)
$\phi$	Euler roll angle (rad)
$\dot{\phi}$	Rate of change of Euler roll angle (rad/sec)
$\phi_m$	Lateral mast tilt (deg)
$\psi$	Euler yaw angle (rad)

$\dot{\psi}$	Rate of change of Euler yaw angle (rad/sec)
$\psi_W$	Grid heading of wind (+ clockwise from North) (rad)
$\mu$	Rotor hub advance ratio (non-dimensional)
$\mu_{G_n}$	Landing gear maximum side force coefficient (non-dimensional)
$\mu_L$	Tip speed (advance) ratio, left rotor (non-dimensional)
$\mu_R$	Tip speed (advance) ratio, right rotor (non-dimensional)
$\mu_{RF}$	Coefficient of rolling friction (non-dimensional)
$\mu_{S_n}$	Landing gear side force slope (non-dimensional)
$(\mu_{0,1,s_n})$	Landing gear ground dynamic coefficients (gear rolling friction and side force) (non-dimensional)
$\Omega_{INT}$	Interconnect drive shaft speed (rad/sec)
$\Omega_L$	Instantaneous left rotor speed (rad/sec)
$\Omega_{LPT}$	Left engine power turbine speed (rad/sec)
$\Omega_L^c$	Total left rotor speed (corrected for aircraft angular rate) (rad/sec)
$\Omega_R$	Instantaneous right rotor speed (rad/sec)
$\Omega_{RPT}$	Right engine power turbine speed (rad/sec)

$\Omega_R$

Total right rotor speed (corrected for aircraft angular rate) (rad/sec)

$\omega_n$

Lateral flapping controller natural frequency (rad/sec)

1. Report No. NASA CR-166536	2. Government Accession No.	3. Recipient's Catalog No.	
4. Title and Subtitle A MATHEMATICAL MODEL FOR REAL TIME FLIGHT SIMULATION OF A GENERIC TILT-ROTOR AIRCRAFT		5. Report Date October 1983*	6. Performing Organization Code
		8. Performing Organization Report No. STI TR-1195-2	10. Work Unit No.
7. Author(s) S. W. Ferguson	9. Performing Organization Name and Address Systems Technology, Inc. 2672 Bayshore-Frontage Road, Suite 505 Mountain View, California 94043		11. Contract or Grant No. NAS2-11317
12. Sponsoring Agency Name and Address NASA Ames Research Center Moffett Field, California 94035			13. Type of Report and Period Covered Final
15. Supplementary Notes *March 1988 (Rev. A), September 1988 (Rev. A Final)		14. Sponsoring Agency Code	
16. Abstract  <p>This report documents a mathematical model for real time flight simulation of a generic tilt-rotor aircraft. The mathematical model equations describe the kinematic, dynamic, and aerodynamic characteristics of a rotor as well as the airframe and flight control system. The model is intended for use in support of tilt-rotor aircraft design, pilot training, and flight testing. The generic tilt-rotor mathematical model is based on a model originally developed by Bell Helicopter Textron in support of the XV-15 tilt-rotor research aircraft. Real time and non-real time versions of the generic tilt-rotor mathematical model are available. The real time version of this model has been implemented by Computer Sciences Corporation on the NASA Ames Research Center Sigma 8 simulation computer. A non-real time version of the model has been implemented by Systems Technology, Inc., on a VAX 11/780 computer as program GTRSIM. Documentation on the GTRSIM version is provided in NASA CR-166535 which is entitled, "Generic Tilt-Rotor Simulation (GTRSIM) User's and Programmer's Guide." Validation documentation for the generic tilt-rotor mathematical model is provided in NASA CR-166537 which is entitled "Development and Validation of the Generic Tilt-Rotor Simulation (GTRSIM) Program."</p>			
17. Key Words (Suggested by Author(s))  Tilt-Rotor            Rotorcraft Simulation XV-15                Simulation Validation GTRSIM               Simulation		18. Distribution Statement  Unclassified - Unlimited	
19. Security Classif. (of this report) UNCLASSIFIED	20. Security Classif. (of this page) UNCLASSIFIED	21. No. of Pages 533	22. Price*

